

4

3

2

1

THIS DRAWING IS UNPUBLISHED.

RELEASED FOR PUBLICATION

- - -

© COPYRIGHT - By -

ALL RIGHTS RESERVED.

LOC

DIST

REVISIONS

G

86

P

LTR

DESCRIPTION

DATE

DWN

APVD

A1

REVISED PER ECO-15-010719

25JUL2015

NK

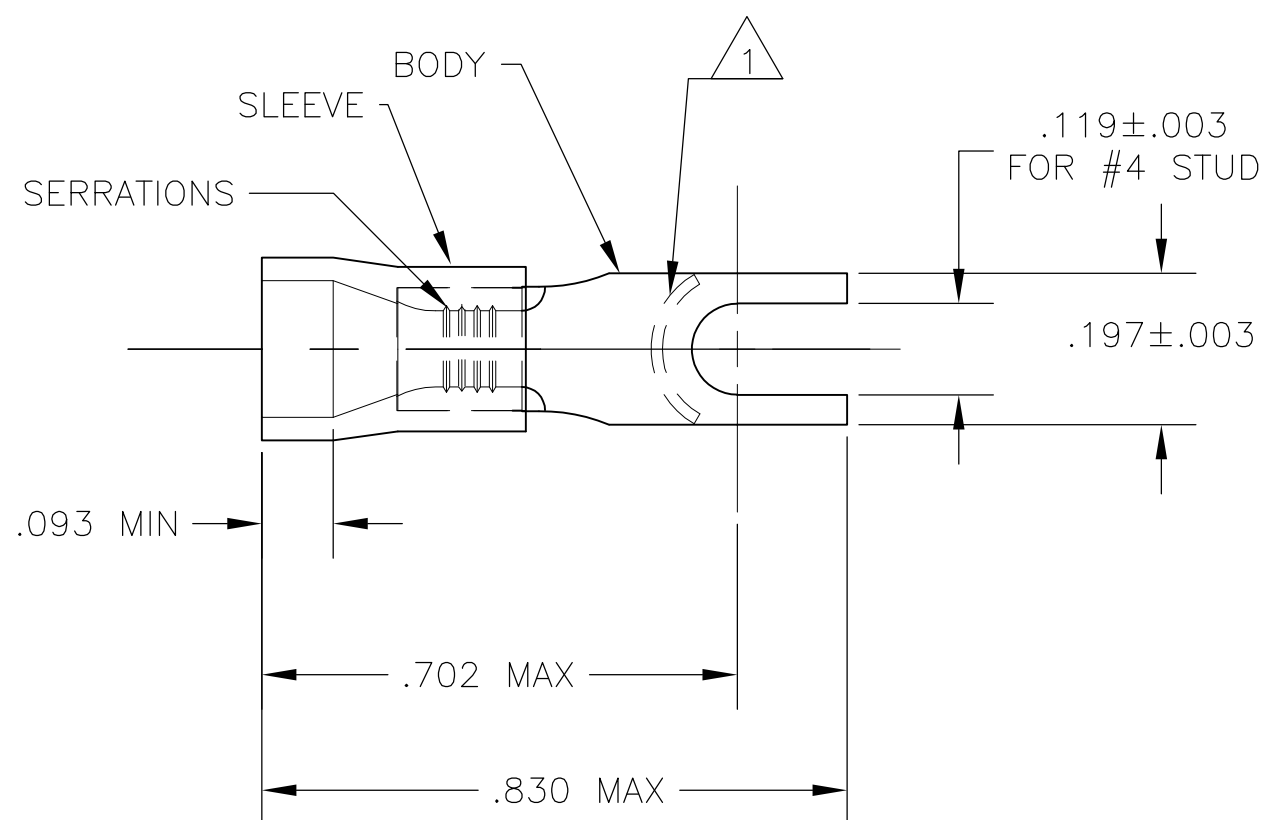
DR

1 STAMP AMP 16-14, LOCATE APPROX AS SHOWN.

2 WIRE INSULATION DIA IS .118-.193

3 TONGUE THICKNESS IS .031±.002

4 MATERIAL: BODY-CU PER ASTM B152
SLEEVE-PVC, COLOR BLUE



1000	LOOSE PIECE	132528-1
QTY	PACKAGE TYPE	PART NO

THIS DRAWING IS A CONTROLLED DOCUMENT.

DWN

16FEB06

CHK

16FEB06

APVD

16FEB06

T MICHELUTTI

T MICHELUTTI

PRODUCT SPEC

-

APPLICATION SPEC

-

WEIGHT

-

NAME

TE Connectivity
TERMINAL, SPADE, PLASTI-GRIP,
WIRE SIZE 16-14 AWG

SIZE

CAGE CODE

DRAWING NO

RESTRICTED TO

A3

00779

C-132528

-

CUSTOMER DRAWING

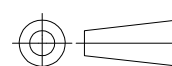
SCALE 4:1

SHEET 1 OF 1

REV A1

DIMENSIONS:

INCHES



TOLERANCES UNLESS OTHERWISE SPECIFIED:

0 PLC	± -
1 PLC	± -
2 PLC	± -
3 PLC	± .008
4 PLC	± -
ANGLES	± 5°

MATERIAL

-

4

FINISH

-

4