

Cover plate - HC-B 10-AP-GY - 1660371

Please be informed that the data shown in this PDF Document is generated from our Online Catalog. Please find the complete data in the user's documentation. Our General Terms of Use for Downloads are valid (<http://phoenixcontact.com/download>)




HEAVYCON cover plate, for panel cutouts of type B10/HV3, 3.5 mm thick, gray

The illustration shows a version of the product



Key Commercial Data

Packing unit	1 pc
Minimum order quantity	10 pc
GTIN	 4 017918 022013
Weight per Piece (excluding packing)	20.1 g
Custom tariff number	39269097
Country of origin	Germany

Technical data

Dimensions

Length	103 mm
Height	3.5 mm
Hole diameter	4.5 mm
Width	52 mm
Drill hole distance, horizontal	83 mm
Drill hole distance, vertical	32 mm

General

Note	For panel cutouts of type B10/HV3
Material	PA
Flammability rating according to UL 94	HB

Cover plate - HC-B 10-AP-GY - 1660371

Technical data

General

Color	light gray
Type	B10 / HV3

Standards and Regulations

Flammability rating according to UL 94	HB
--	----

Classifications

eCl@ss

eCl@ss 4.0	27140816
eCl@ss 4.1	27140816
eCl@ss 5.0	27143424
eCl@ss 5.1	27143424
eCl@ss 6.0	27143424
eCl@ss 7.0	27440209
eCl@ss 8.0	27440201

ETIM

ETIM 3.0	EC002309
ETIM 4.0	EC000886
ETIM 5.0	EC002309

UNSPSC

UNSPSC 6.01	30211817
UNSPSC 7.0901	39121416
UNSPSC 11	39121408
UNSPSC 12.01	39121408
UNSPSC 13.2	39121408

Approvals

Approvals

Approvals

EAC

Ex Approvals

Cover plate - HC-B 10-AP-GY - 1660371

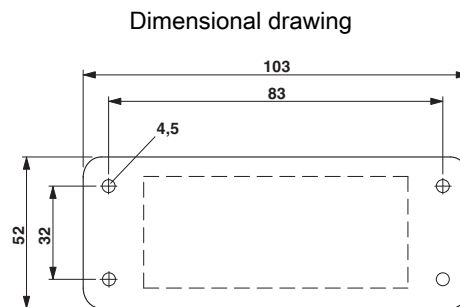
Approvals

Approvals submitted

Approval details

EAC

Drawings



Mouser Electronics

Authorized Distributor

Click to View Pricing, Inventory, Delivery & Lifecycle Information:

[Phoenix Contact:](#)

[1660371](#)