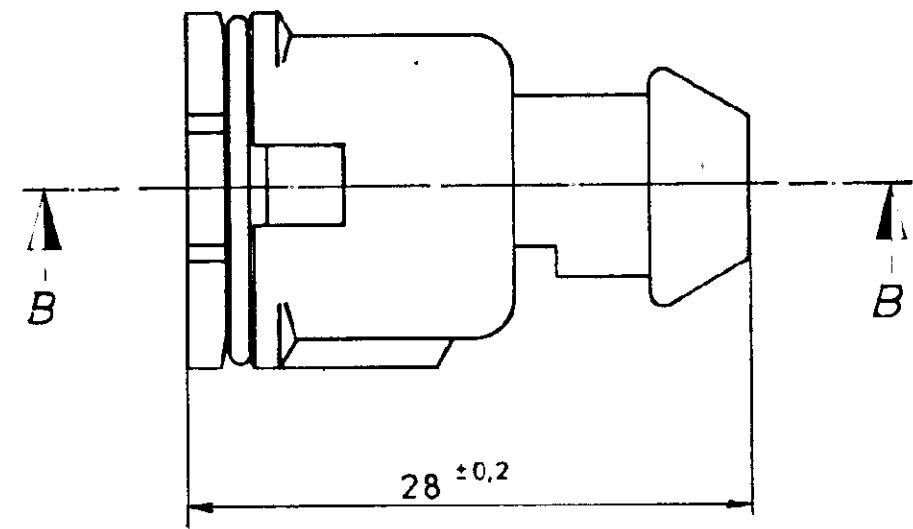
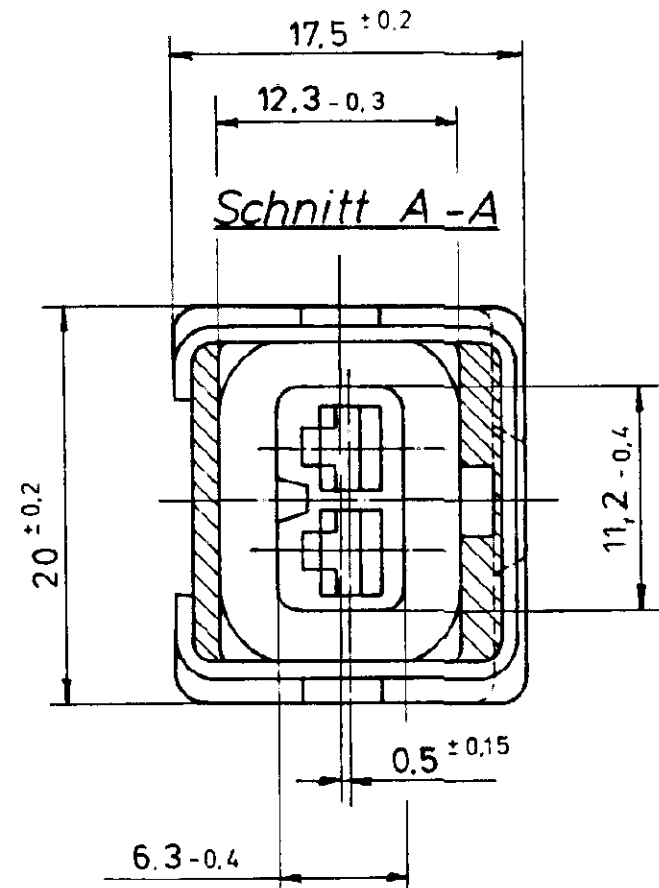
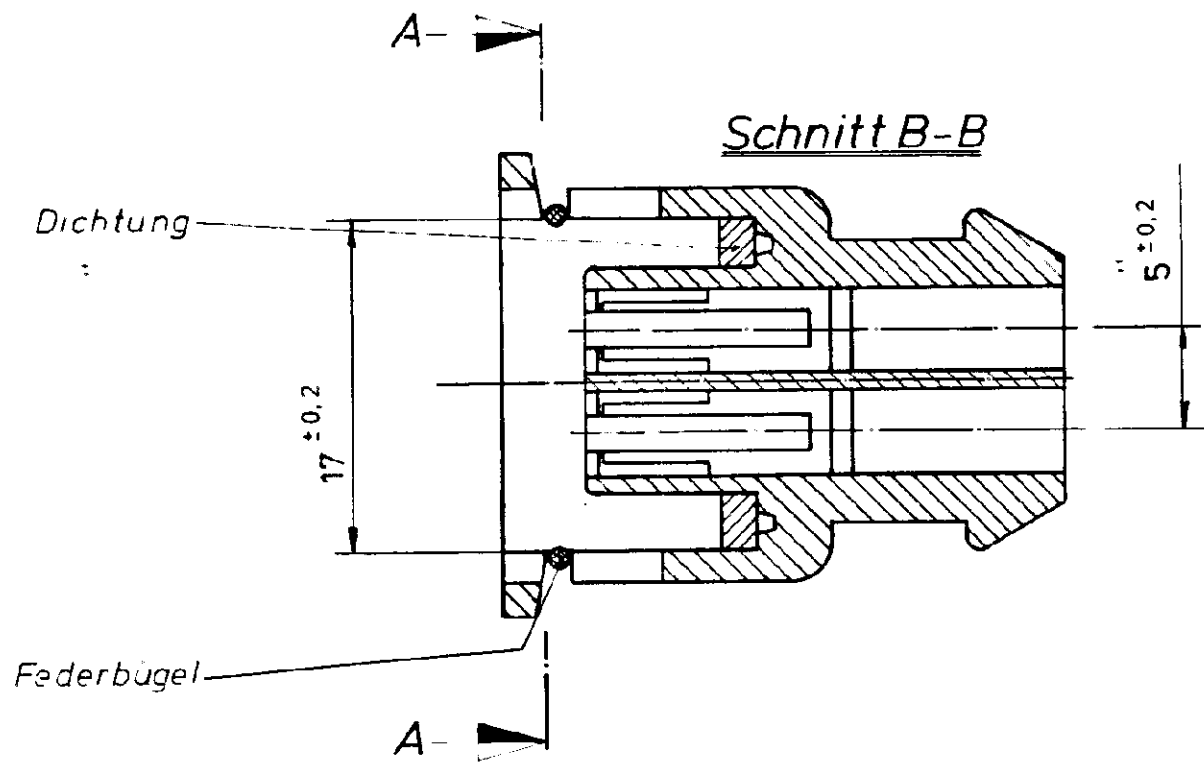



SEL 074



1-826 008 - 6	braun	PA 6 6 GV 30
1-826 008 - 5	schwarz	
1-826 008 - 3	blau	
1-826 008 - 2	grün	
1-826 008 - 1	grau	PA 6 6 GV 30
826 008 - 8	gelb	PA 6 6 GV 13 wahlw. GV 30
826 008 - 7	weiß	
826 008 - 6	braun	
826 008 - 5	schwarz	
826 008 - 3	blau	
826 008 - 2	grün	
826 008 - 1	grau	PA 6 6 GV 13 wahlw. GV 30
Bestell-Nr.	Farbe	Material

CUSTOMER COPY REFERENCE ONLY

MATERIAL	18675 Slem.	APV
HEAT TREAT	CHP 20 L 25 John	PCL
COATING OR PLATING	 TE Connectivity	
TERMINAL	FIRST USED	REV
Al	B	826 008
		G1

G1	REVISED PER ECO-11-005294	RK	07APR 11
TR	REVISED PER ECO-11-005294	DR	07APR 11

NAME Zusammenstellung des 2 pol Buchsengeh. für Junior-Timer Kontakt

Mouser Electronics

Authorized Distributor

Click to View Pricing, Inventory, Delivery & Lifecycle Information:

[TE Connectivity:](#)

[826008-5](#)