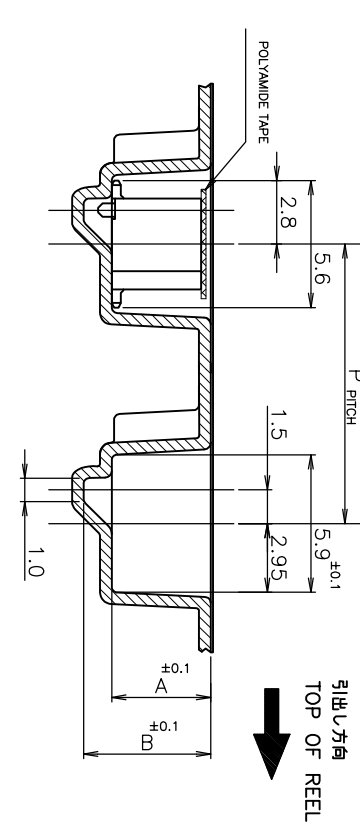
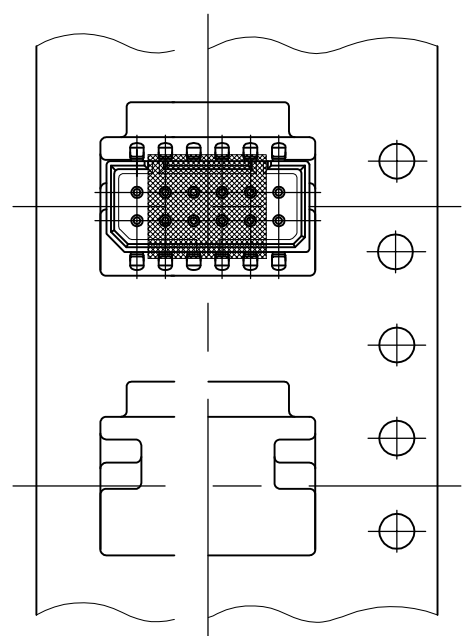
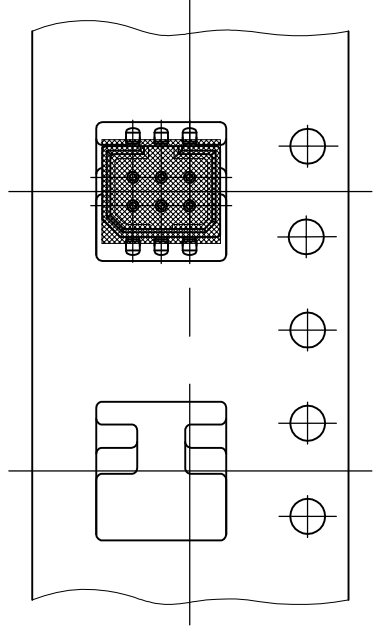
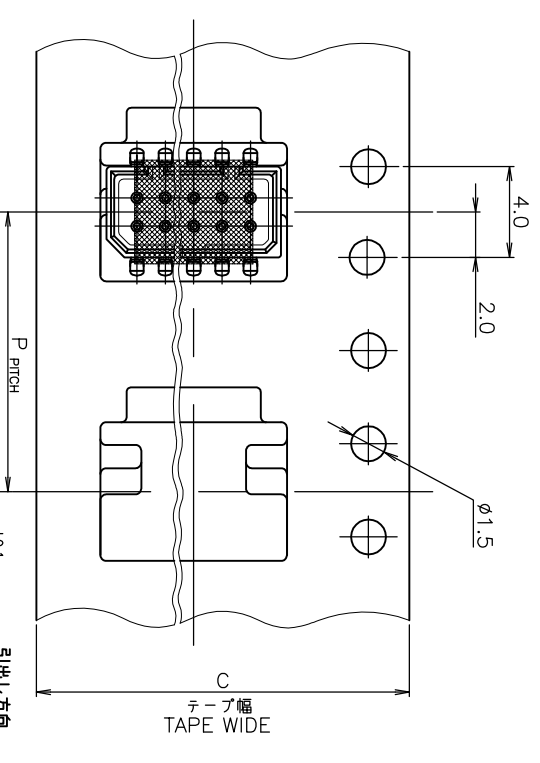
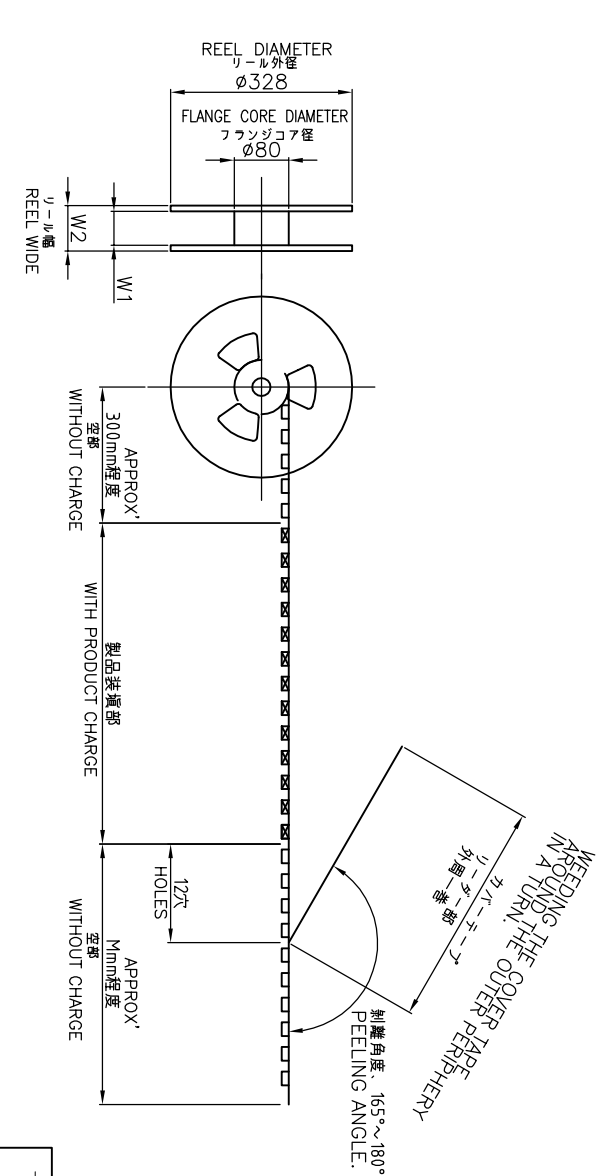


P	LT#	DESCRIPTION	DATE	DMN	APVD
-	-	SEE SHEET 1	-	-	-



EXCEPT 6 Pos. AND 12 Pos.



④	D2	D1	DIMENSIONS			M	P	B	A	C	QTY/ REEL	Pos	POLYAMIDE P/N	COVER TAPE P/N	EMBOSS TAPE P/N	CONNECTOR P/N	TAPING P/N
			W2	W1	⑤												
330	100	30.4	24.4	300	12	6.95	5.75	24	24	700	14	1827186-4		1533651-1	1-174821-4	176890-4	
330	80	29	26	300	12	7.45	6.25	24	24	750	16	1827186-4	4-720998-5	1-912054-8	7-174821-6	9-176890-6	
330	100	22.4	16.4	300	12	7.45	6.25	24	24	700	12	1827186-3	4-720998-5	7-912061-6	7-174821-2	9-176890-2	
330	80	29	26	300	12	5.45	4.25	24	24	1000	24	1827186-4	4-720998-5	3-912051-4	5-174821-4	8-176890-4	
330	80	29	26	300	12	5.45	4.25	24	24	1000	22	1827186-4	4-720998-5	912055-3	5-174821-2	8-176890-2	
330	80	29	26	300	12	5.45	4.25	24	24	1000	20	1827186-4	4-720998-5	3-912051-2	5-174821-0	8-176890-0	
330	80	29	26	300	12	5.45	4.25	24	24	1000	18	1827186-4	4-720998-5	912051-8	4-174821-8	6-176890-8	
330	80	29	26	300	12	5.45	4.25	24	24	1000	16	1827186-4	4-720998-5	912055-2	4-174821-6	6-176890-6	
330	100	22.4	16.4	300	12	5.45	4.25	24	24	1000	14	1827186-4	4-720998-4	912051-4	4-174821-4	6-176890-4	
330	80	21	18	300	12	5.45	4.25	16	16	1000	12	1827186-4	4-720998-4	912051-2	4-174821-2	6-176890-2	
330	80	21	18	300	12	5.45	4.25	16	16	1000	10	1827186-4	4-720998-4	912051-1	4-174821-0	6-176890-0	
330	80	21	18	300	12	5.45	4.25	16	16	1000	6	1827186-4	4-720998-4	912055-1	3-174821-6	2-176890-6	
330	80	29	26	300	12	6.95	5.75	24	24	750	16	1827186-4	4-720998-5	912055-4	1-174821-6	176890-6	

THIS DRAWING IS A CONTROLLED DOCUMENT.

DMN S.KANEKI 22JUN90
 CHK J.TANIGAWA 22JUN90
 APVD S.KUBOBUCHI 22JUN90

NAME 1.25 FP CONNECTOR (B-TO-B) ON TAPING (EMBOSS)
 DOUBLE ROW POST HDR ASS'Y SMT TYPE

PRODUCT SPEC 108-5246

SIZE A3 CAGE CODE 00779 DRAWING NO. 176890

TOLERANCES UNLESS OTHERWISE SPECIFIED:
 0 PLC ±
 1 PLC ±
 2 PLC ±
 3 PLC ±
 4 PLC ±

FINISH

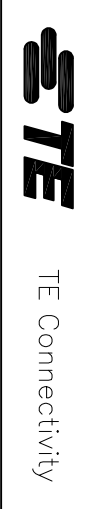
RESTRICTED TO

MATERIAL

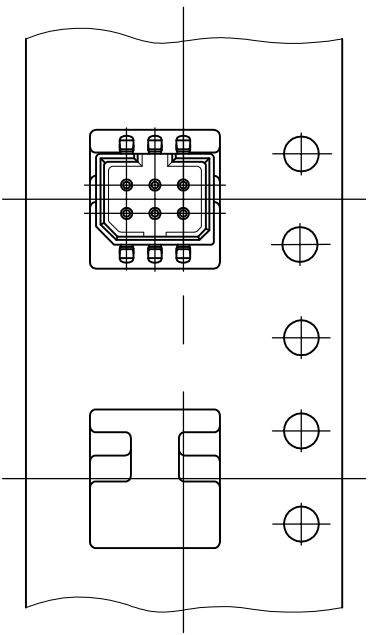
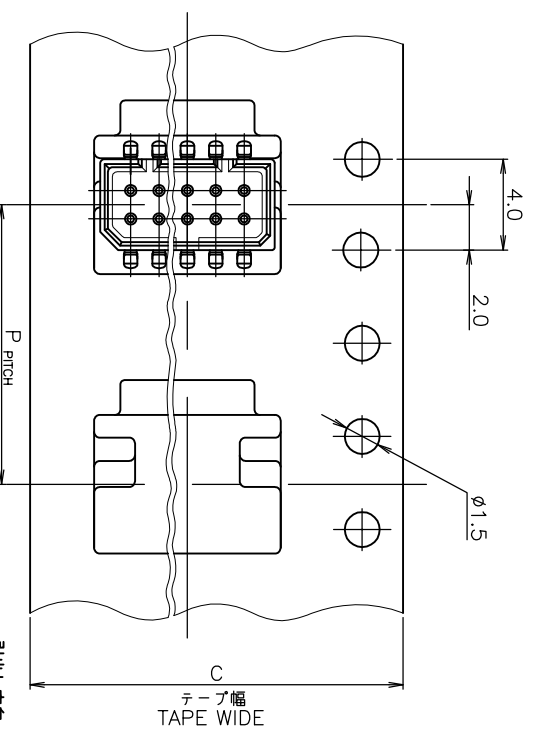
WEIGHT

CUSTOMER DRAWING

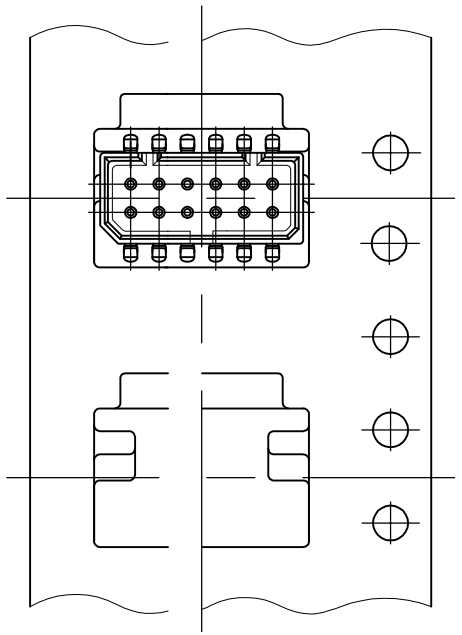
WITH POLYAMIDE TAPE



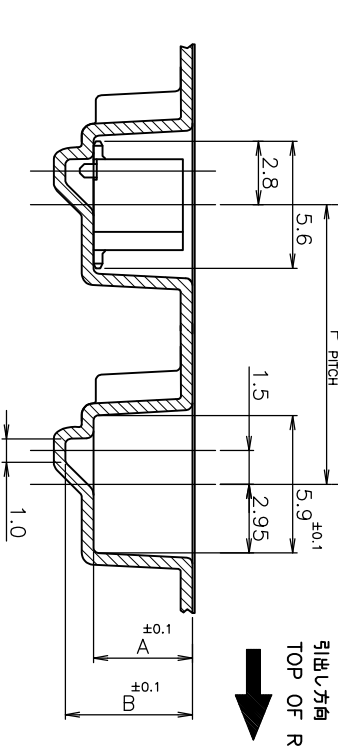
P	LT/R	DESCRIPTION	DATE	DMN	APVD
H		EGR-17-011273	24AUG2017	RL	SY



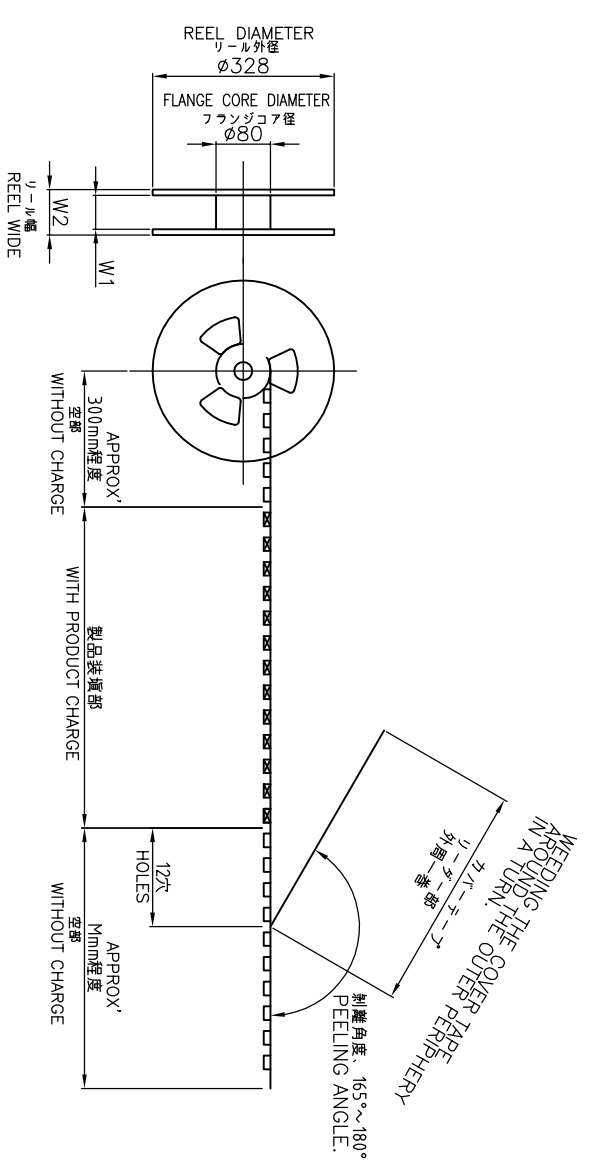
6 Pos. (P/N: 3-176890-6)



12 Pos. (P/N: 7-176890-2)



EXCEPT 6 Pos. AND 12 Pos.



D 2	D 1	W 2	W 1	M	⊙ P	B	A	C	QTY/ REEL	COVER TAPE P/N	EMBOSS TAPE P/N	CONNECTOR P/N	TAPING P/N
330	80	29	26	300	12	7.45	6.25	24	750	4-720998-5	1-912054-8	7-174821-6	7-176890-6
330	100	22.4	16.4	300	12	7.45	6.25	24	750	4-720998-5	7-912061-6	7-174821-2	7-176890-2
330	80	29	26	300	12	5.45	4.25	24	1000	4-720998-5	3-912051-4	5-174821-4	5-176890-4
330	80	29	26	300	12	5.45	4.25	24	1000	4-720998-5	912055-3	5-174821-2	5-176890-2
330	80	29	26	300	12	5.45	4.25	24	1000	4-720998-5	3-912051-2	5-174821-0	5-176890-0
330	80	29	26	300	12	5.45	4.25	24	1000	4-720998-5	912051-8	4-174821-8	4-176890-8
330	80	29	26	300	12	5.45	4.25	24	1000	4-720998-5	912055-2	4-174821-6	4-176890-6
330	100	22.4	16.4	300	12	5.45	4.25	16	1000	4-720998-4	912051-4	4-174821-4	4-176890-4
330	80	21	18	300	12	5.45	4.25	16	1000	4-720998-4	912051-2	4-174821-2	4-176890-2
330	80	21	18	300	12	5.45	4.25	16	1000	4-720998-4	912051-1	4-174821-0	4-176890-0
330	80	21	18	300	12	5.45	4.25	16	1000	4-720998-4	912055-1	3-174821-6	3-176890-6
330	80	29	26	300	12	6.95	5.75	24	750	4-720998-5	912055-4	1-174821-6	1-176890-6

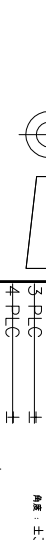
THIS DRAWING IS A CONTROLLED DOCUMENT.

DIMENSIONS: mm

TOLERANCES UNLESS OTHERWISE SPECIFIED:

φ PLG ±0.2
 1 PLG ±0.25
 2 PLG ±0.25
 3 PLG ±0.3
 4 PLG ±0.3

FINISH ANGLES



MATERIAL

DMN S.KANEKI 22JUN90
 CHK J.TANIGAWA 22JUN90
 APVD S.KUBOBUCHI 22JUN90

PRODUCT SPEC

APPLICATION SPEC

WEIGHT

CUSTOMER DRAWING

DMN S.KANEKI 22JUN90
 CHK J.TANIGAWA 22JUN90
 APVD S.KUBOBUCHI 22JUN90

NAME

1.25 FP CONNECTOR (B-TO-B) ON TAPING (EMBOSS)
 DOUBLE ROW POST HDR ASS'Y SMT TYPE

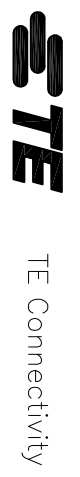
SIZE

A3 00779 G=176890

SCALE

SHEET 1 of 2

REV H



Mouser Electronics

Authorized Distributor

Click to View Pricing, Inventory, Delivery & Lifecycle Information:

[TE Connectivity:](#)

[4-176890-2](#)