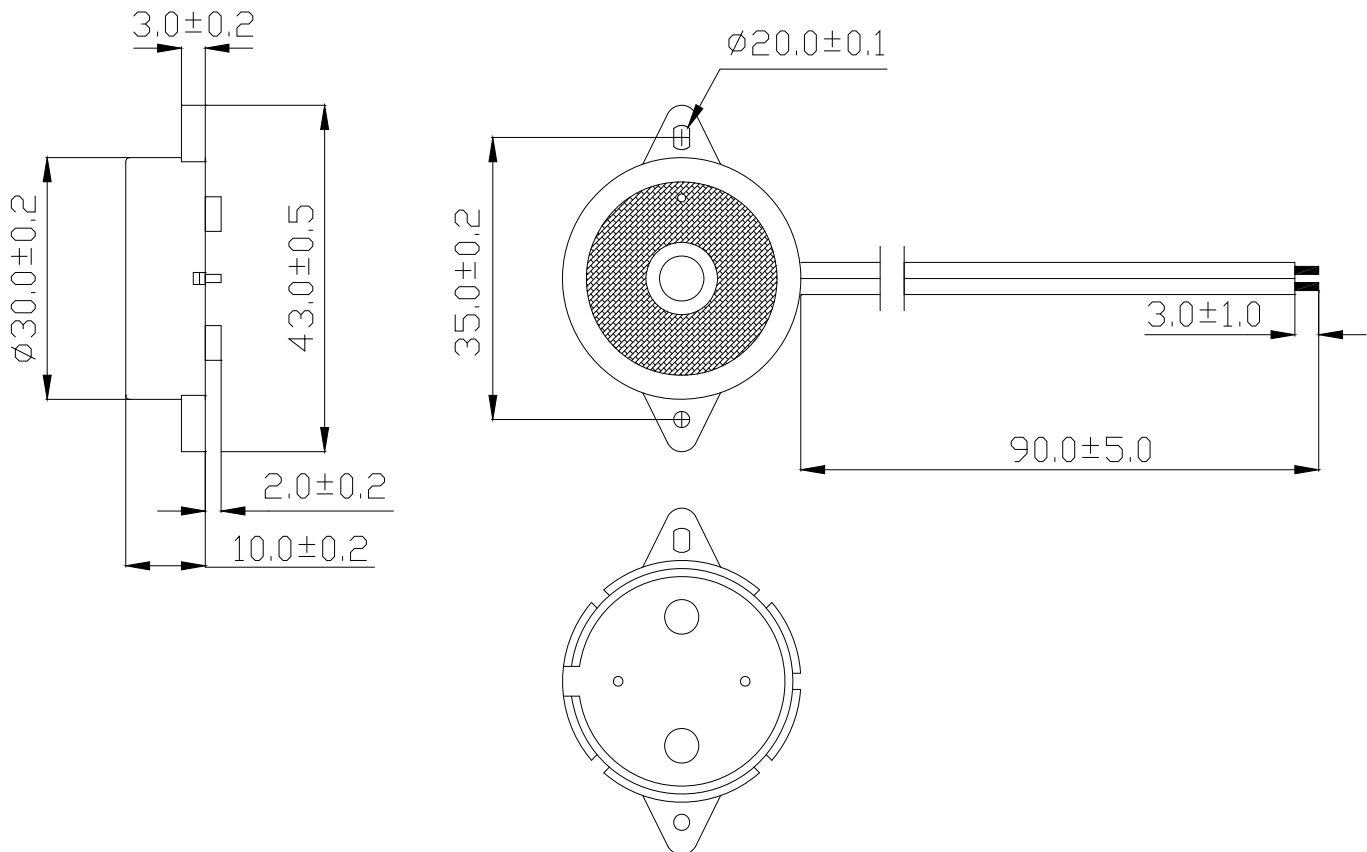


**Sales Outline Drawing**Revision **B****Specifications:**

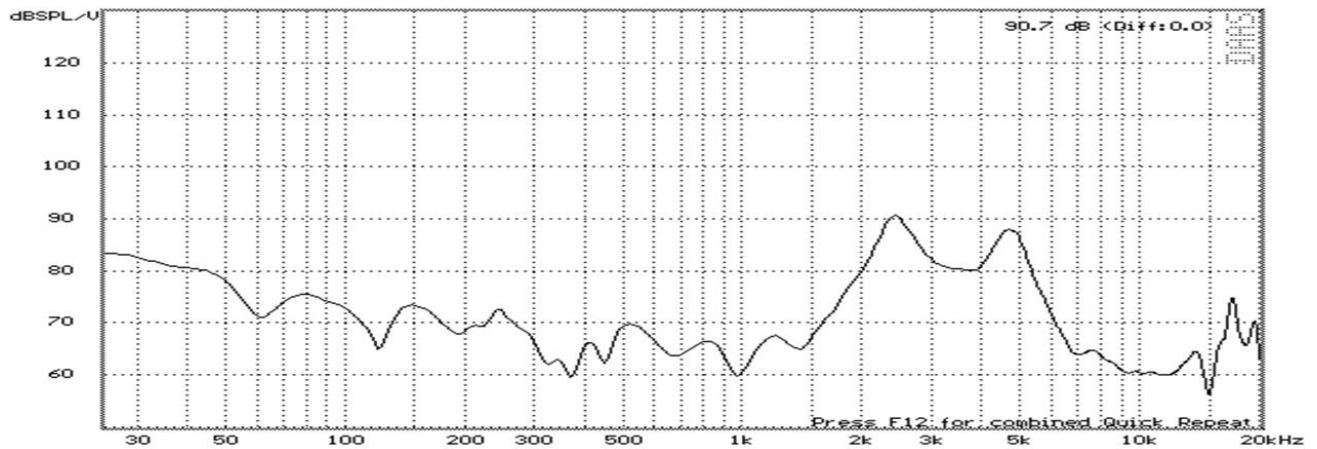
Resonant Frequency (Hz)	2500 ± 500
Operating Voltage (Vp-p/max)	30
Rated Voltage (Vp-p)	5.0
Current Consumption (mA/max)	1.5 at Rated Voltage
Sound Pressure Level (dB/min)	90 at 10cm at Rated voltage
Capacitance (pF)	30,000 ± 30% at 120 Hz
Operating Temperature (°C)	-20 ~ +70
Storage Temperature (°C)	-30 ~ +80
Housing	ABS 757 UL94HB plastic resin (Color: Black)
Lead Wires	28 AWG Red + Black
Weight (Grams)	5
Options	For other options contact factory

**Dimensions:** (units: mm)**ROHS Compliant**

## **Direct Drive Transducer Operation:**

Direct drive transducer devices do not have any included DC circuitry, so the user must apply a sine or square wave with the appropriate rated frequency. A square wave will typically result in more sound level than a sine wave. The higher the peak-to-peak voltage applied (up to the maximum rated voltage), the higher the resulting sound level.

## **Frequency Response:**



# Mouser Electronics

Authorized Distributor

Click to View Pricing, Inventory, Delivery & Lifecycle Information:

[Mallory Sonalert:](#)

[PT2725WQ](#)