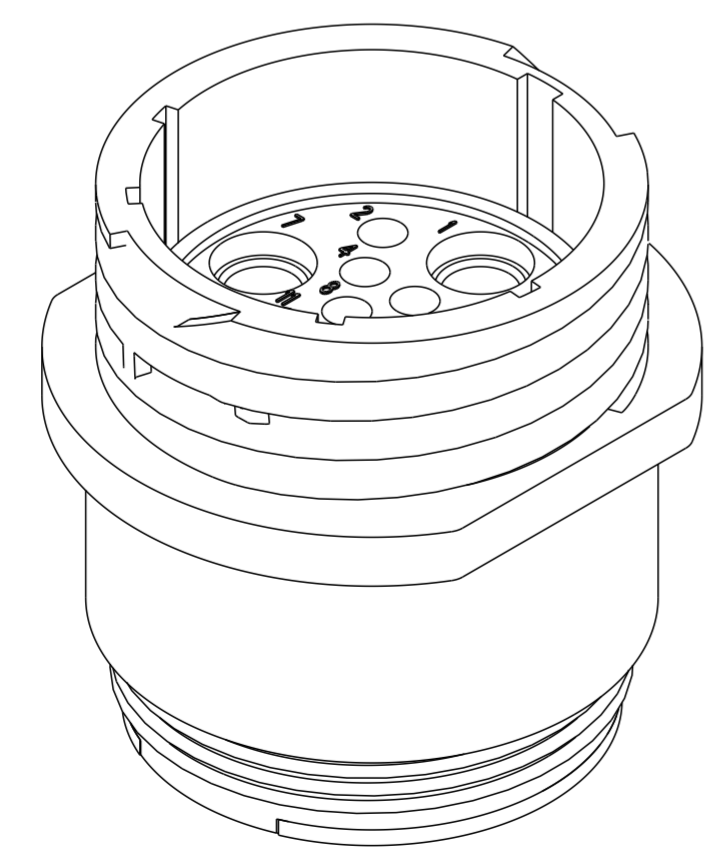
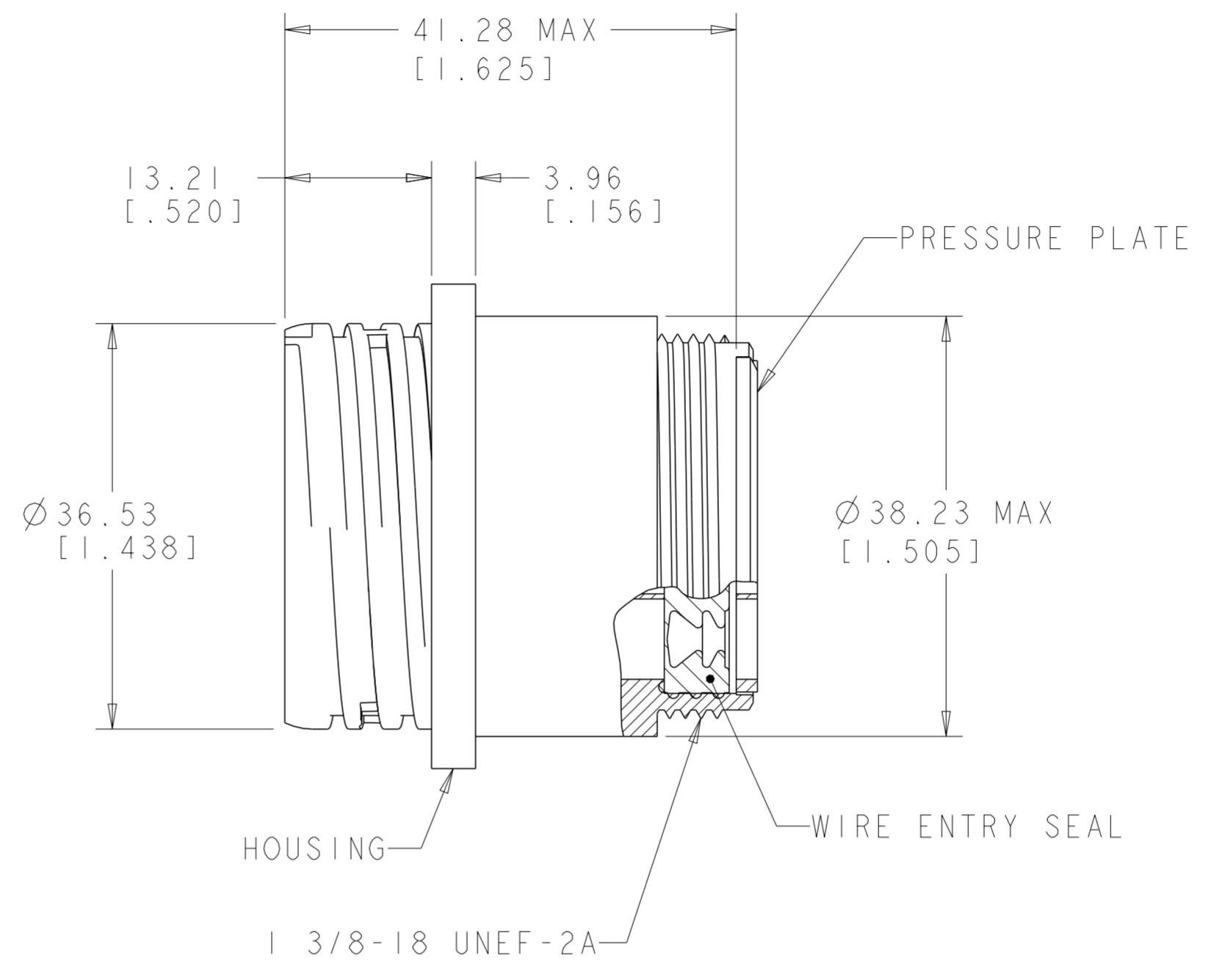
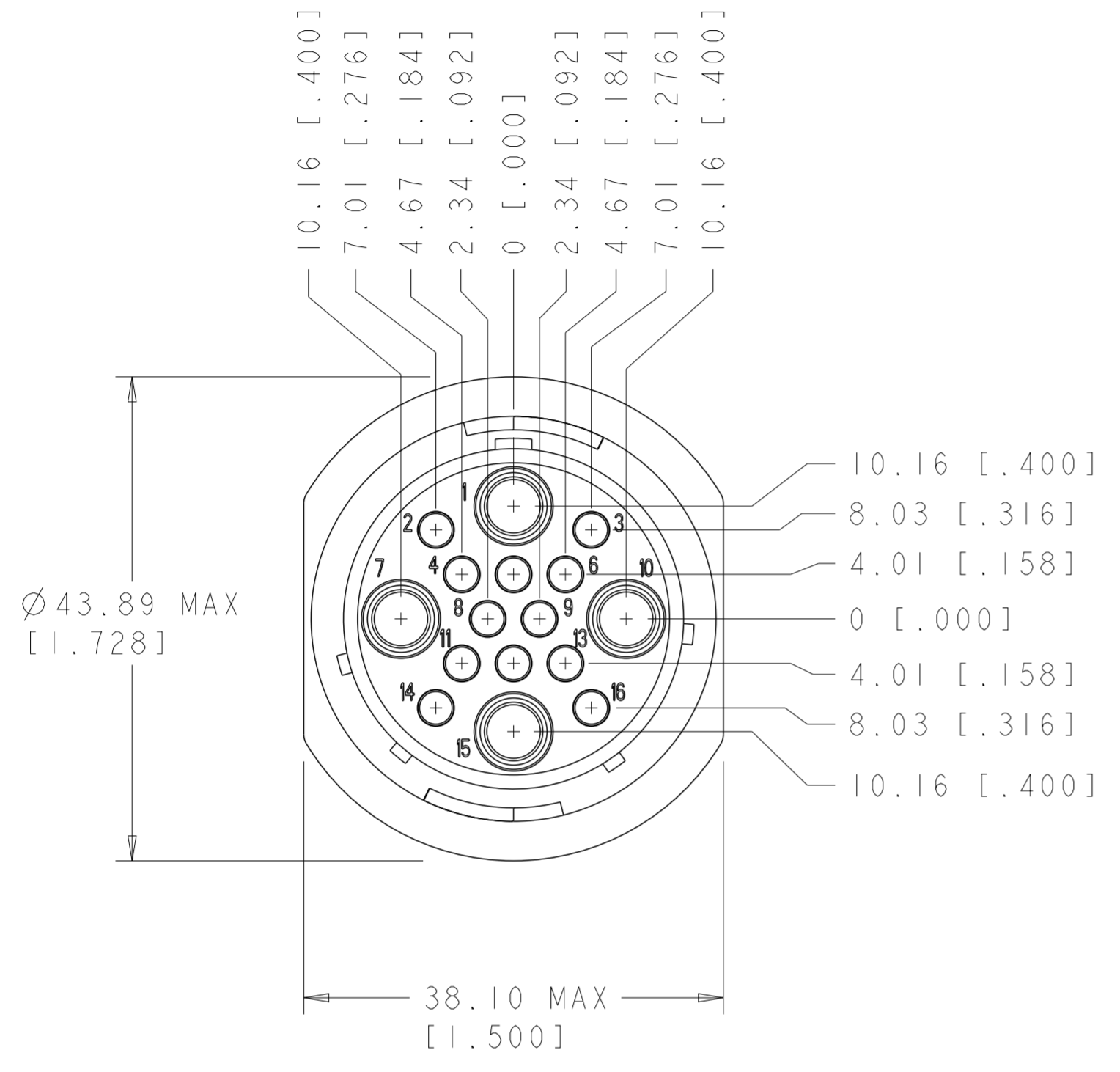


THIS DRAWING IS UNPUBLISHED. RELEASED FOR PUBLICATION  
 © COPYRIGHT 20 BY - ALL RIGHTS RESERVED.

LOC		DIST		REVISIONS			
P	LTR	DESCRIPTION	DATE	DWN	APVD		
	A	NEW DRAWING PER ECO-12-018480	15NOV2012	KH	MZ		



△ HOUSING & PRESSURE PLATE: NYLON, BLACK.  
 WIRE ENTRY SEAL: ELASTOMER, RED-IRON OXIDE.  
 PERIPHERAL SEAL: POLYESTER, BLACK.  
 2. WILL ACCEPT (12) MULTIMATE PINS AND (4) POWER MALE CONTACTS.

1977891-1  
 PART NUMBER

THIS DRAWING IS A CONTROLLED DOCUMENT.		DWN KIRAN HOLAJI 15NOV2012	TE Connectivity	
DIMENSIONS: mm [INCHES]		CHK M. ZITTO 15NOV2012		
TOLERANCES UNLESS OTHERWISE SPECIFIED:		APVD M. ZITTO 15NOV2012	NAME CPC FREE HANGING RECEPTACLE ASSEMBLY SERIES 6, SEALED, 23-16, STANDARD SEX, UV RESISTANT	
0 PLC ± 1 PLC ± 2 PLC ±0.02 3 PLC ± 4 PLC ± ANGLES ± FINISH		PRODUCT SPEC 108-1579	SIZE A2	CAGE CODE 00779
MATERIAL △ -		APPLICATION SPEC -	DRAWING NO C-1977891	RESTRICTED TO -
		WEIGHT -	SCALE 2:1	SHEET 1 OF 1
		CUSTOMER DRAWING	REV A	

# Mouser Electronics

Authorized Distributor

Click to View Pricing, Inventory, Delivery & Lifecycle Information:

[TE Connectivity:](#)

[1977891-1](#)