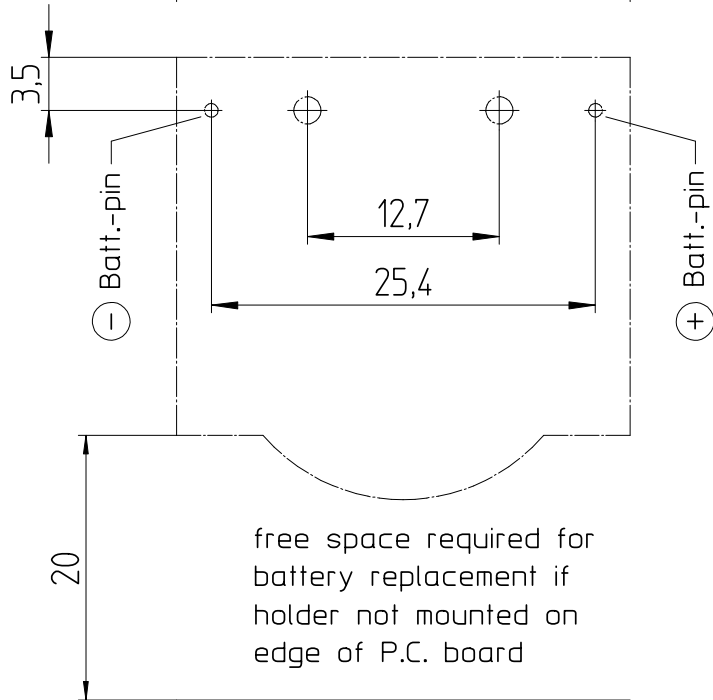
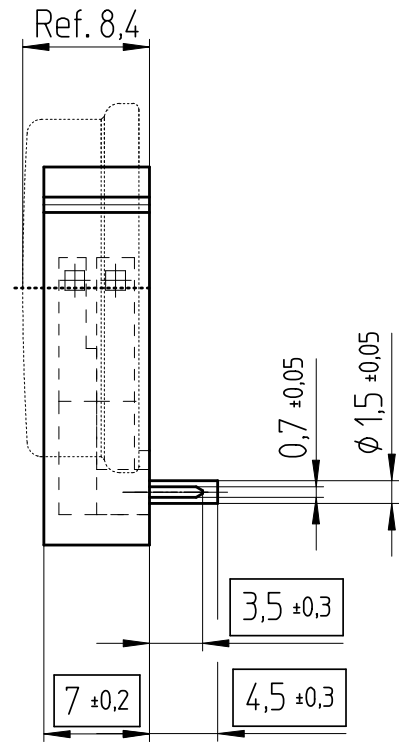
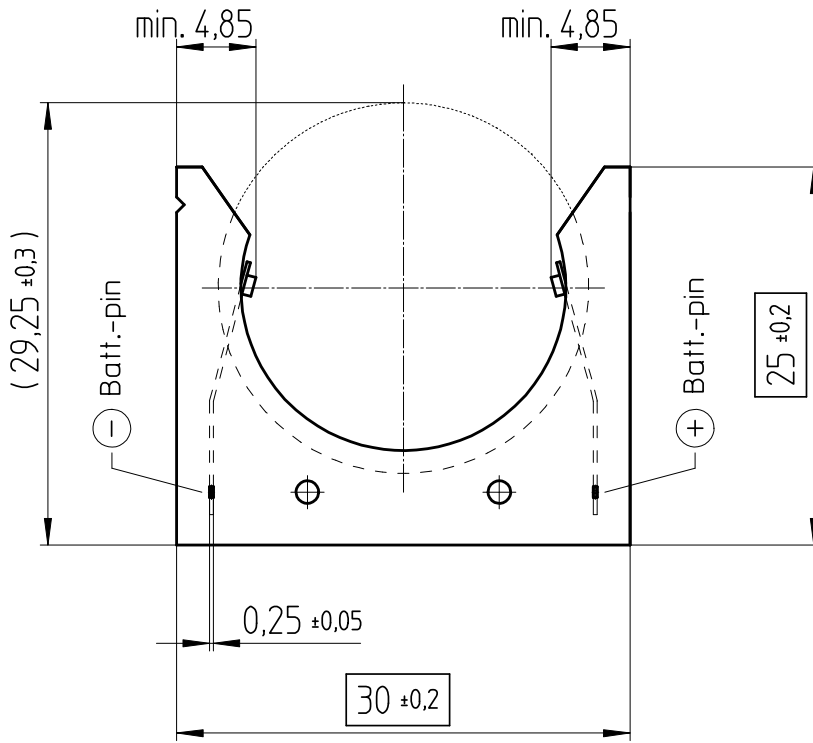


Art.-Number: 701112



layout top view

free space required for battery replacement if holder not mounted on edge of P.C. board

Contact materials:  
 Battery contacts : Ni 99,6  
 Solder pins: tin-plated 100% Sn

All framed values will be used for dimension checking !

- Samples can deviate in the execution from the serie.

- Dimensions and tolerances can be specified only after the testing of the devices for the mass production definitely

Rev.	①	03.04.08	SRi	Rev.	○				Customer's Approval		
Rev.	○			Rev.	○				Date		
Rev.	○			Rev.	○				Signature		
Titel:								Scale	Drawn	24.01.05	SRi
NL5077-LF								2:1	Checked	03.04.08	JLSch
								Approved			
				CH-4452 Itingen Switzerland				3.8756.4-1			

# Mouser Electronics

Authorized Distributor

Click to View Pricing, Inventory, Delivery & Lifecycle Information:

[Renata:](#)

[NL5077-LF](#)