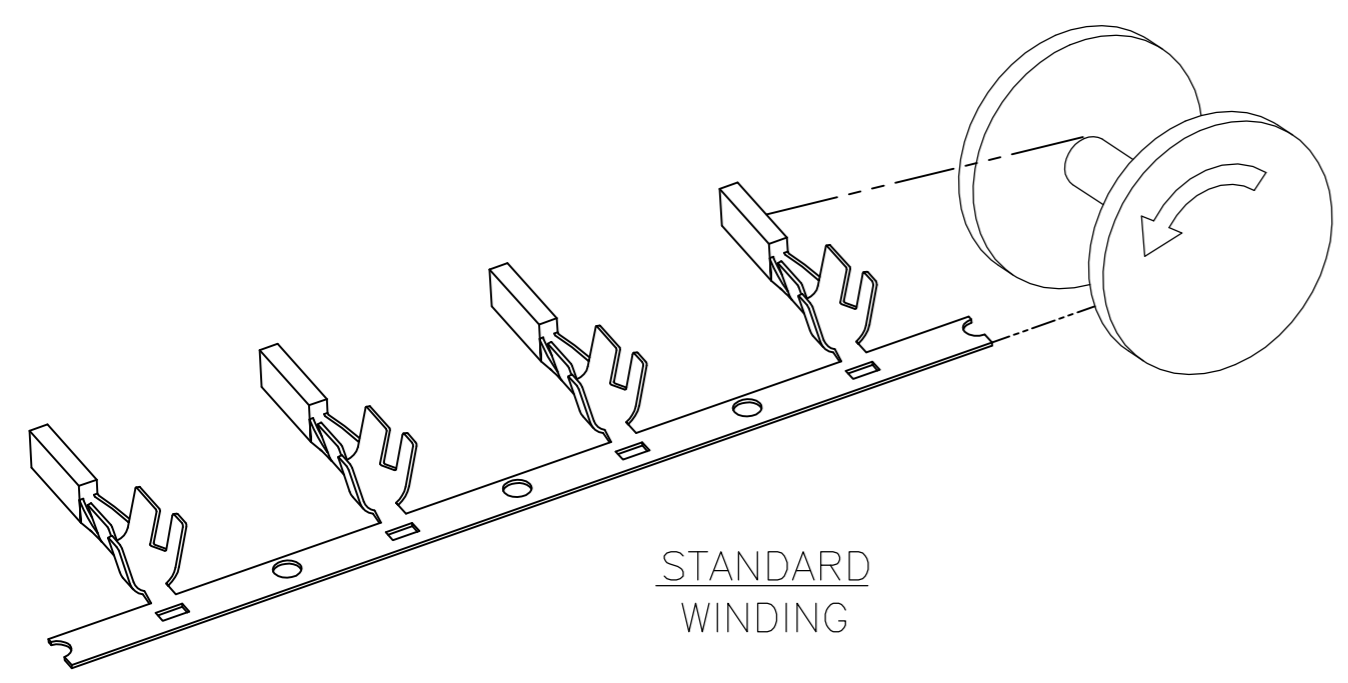
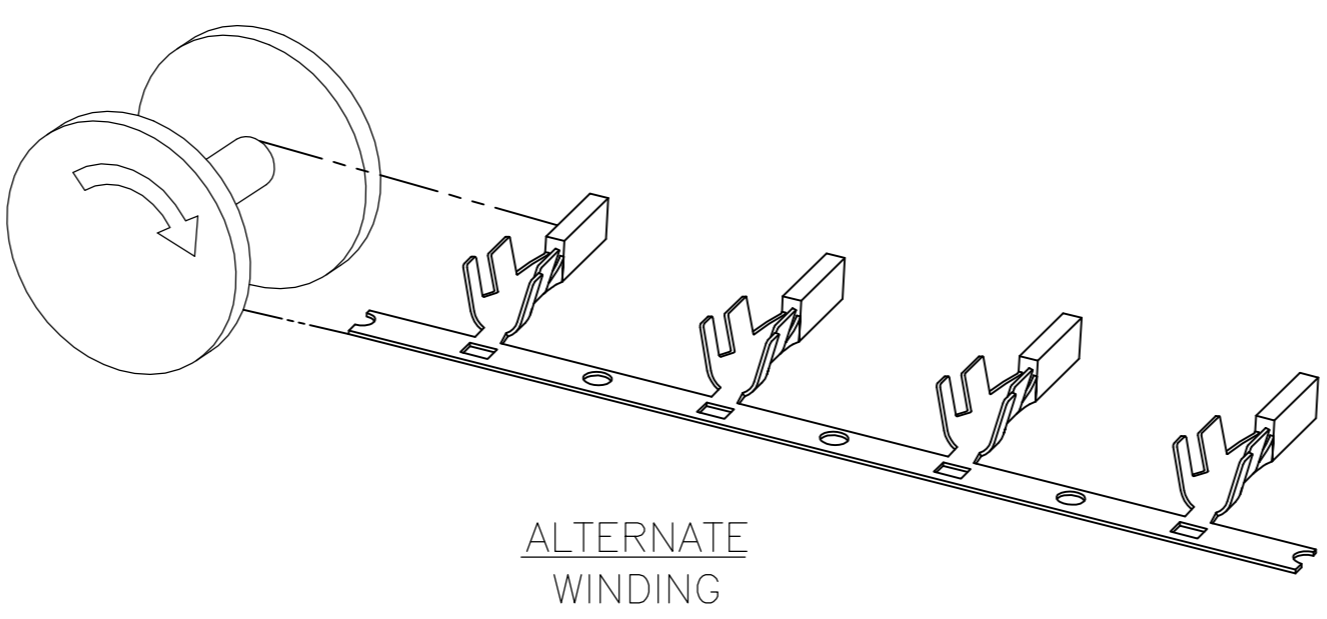
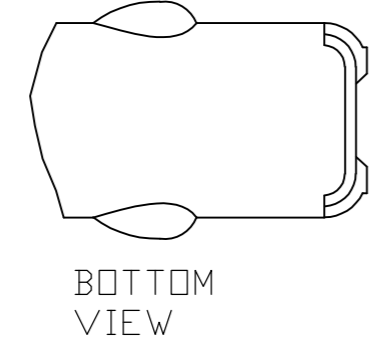
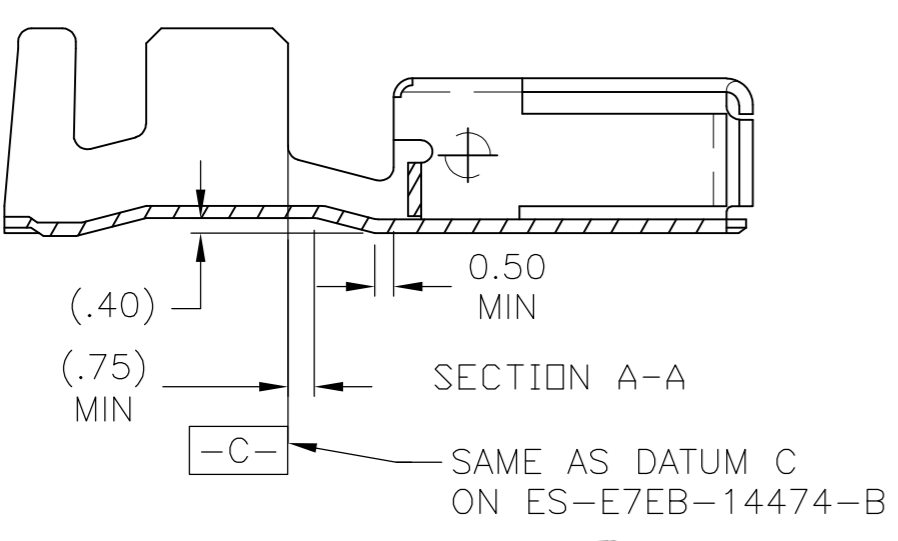
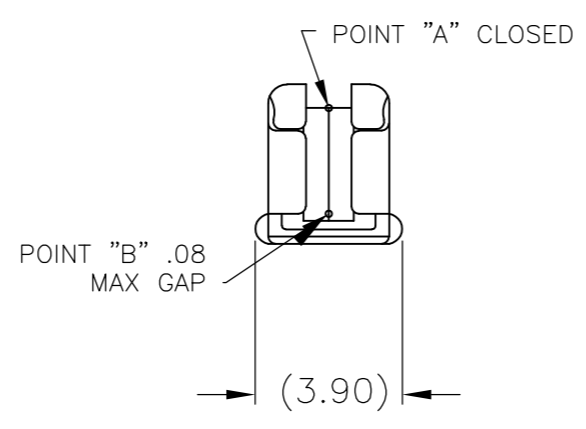
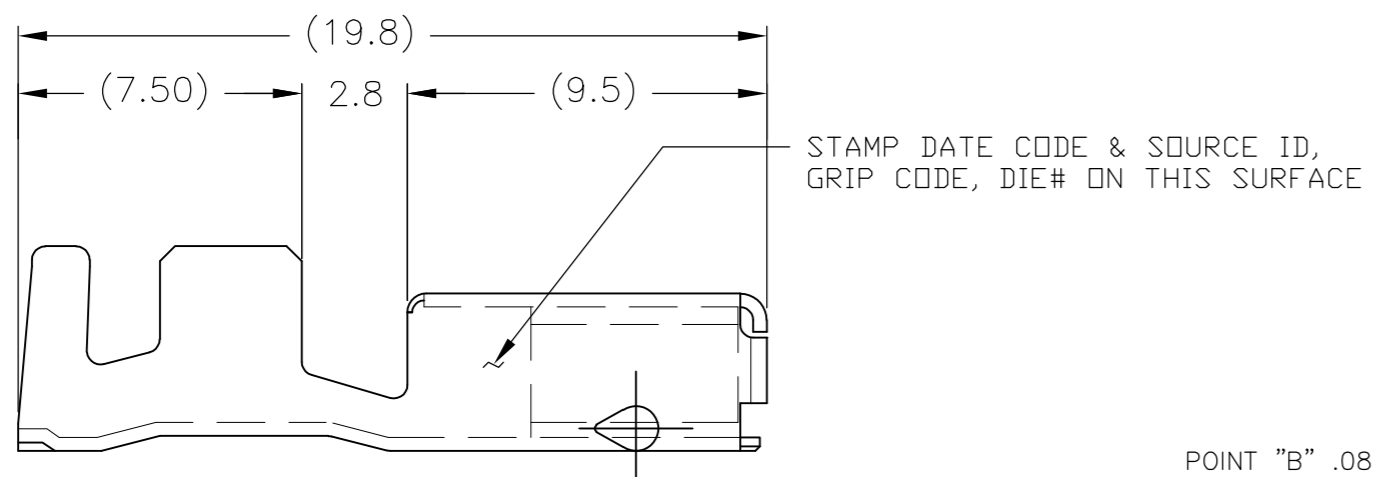
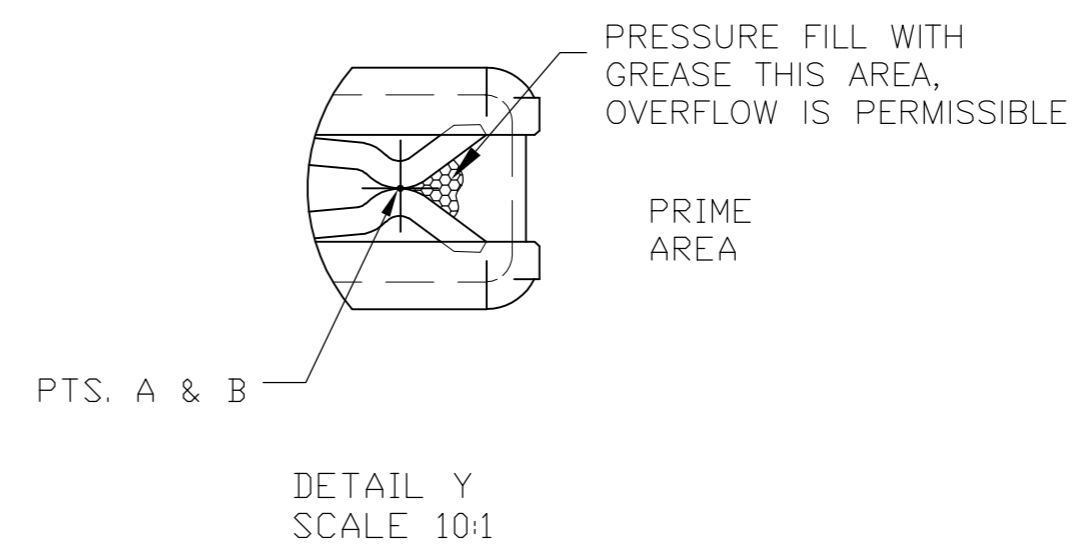
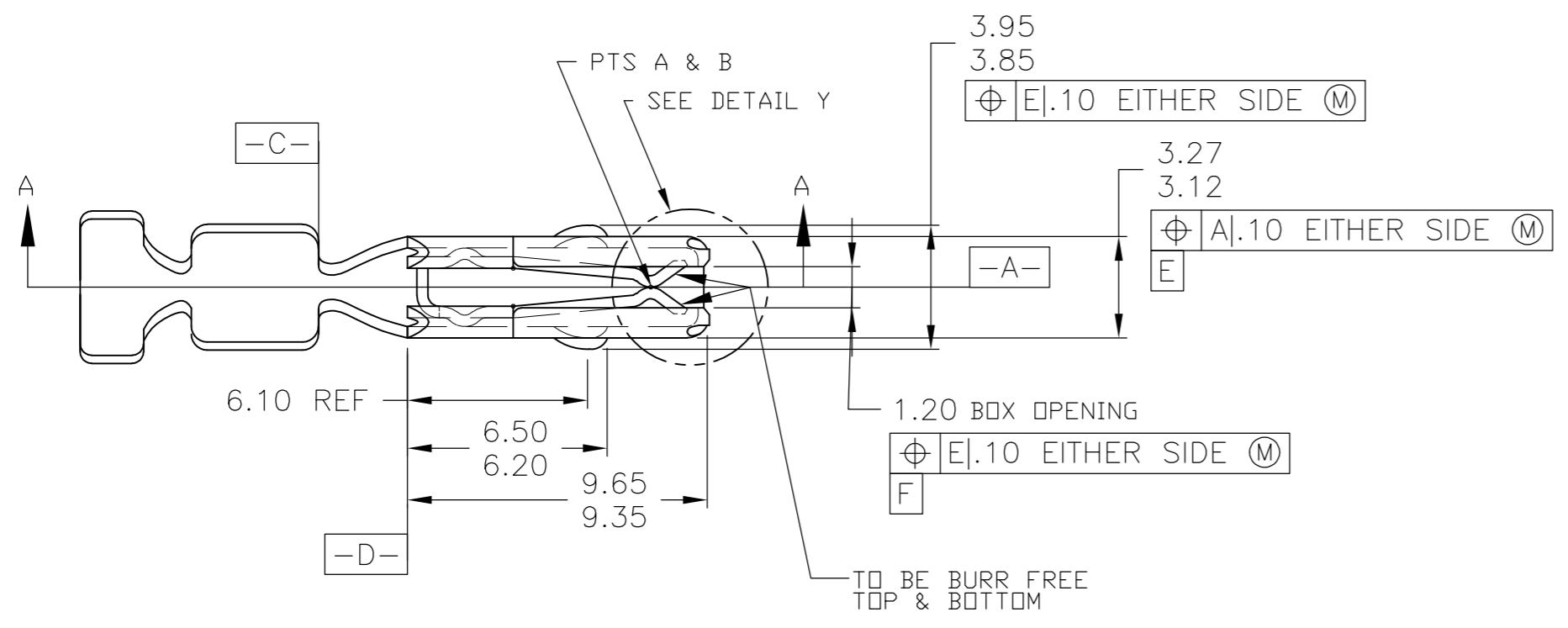


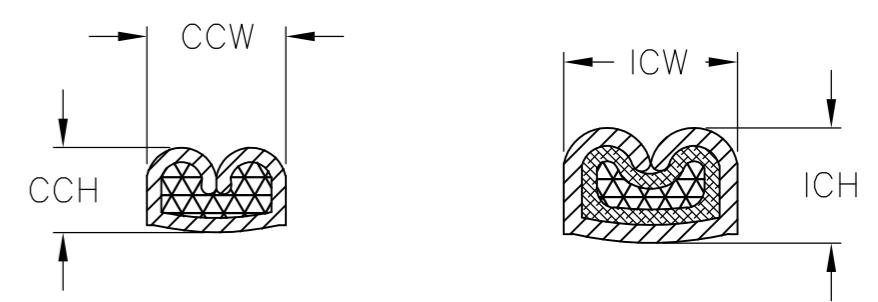
THIS DRAWING IS UNPUBLISHED. RELEASED FOR PUBLICATION
 © COPYRIGHT BY TYCO ELECTRONICS CORPORATION. ALL INTERNATIONAL RIGHTS RESERVED.

LOC		DIST		REVISIONS				
P	LTR	DESCRIPTION			DATE	DWN	APVD	
		D		REVISED PER ECO-09-028142	11MAR2010	DD	WW	



NOTES: UNLESS OTHERWISE SPECIFIED

- GENERAL TOLERANCES:
 ± .3 ALL ONE PLACE DIMENSIONS
 ± .15 ALL TWO PLACE DIMENSIONS
 ± 1.00° ALL ANGULAR DIMENSIONS
- * CRIMPING OF TERMINALS TO WIRE MUST MEET ALL REQUIREMENTS OF ES-E7E8-14474-A
- FOR WIRE INSULATION DEFORMATION SPECIFICATIONS SEE ES-E4EB-14461-AA
- MATERIAL: UNS C19500 BRASS, 1/2 HARD (REF)
 FINISH: WSB-NIP9-B TIN PLATE - HOT DIP, PRE-TIN STRIP EXCEPT PLATING THICKNESS TO BE A MINIMUM OF 035u INCH



TYCO ELECTRONICS REWOUND P/N	TYCO ELECTRONICS P/N	GRIP CODE	WIRE SIZE	CCW	CCH	ICW	ICH	ICW	ICH
3-1438230-3	12	12	3.25	2.00	3.20	3.50	-	-	-
3-1438230-2	14	14	2.85	1.80	3.20	2.90	3.40	3.05	
		16	2.85	1.70	3.20	2.55	3.40	3.70	
3-1438230-1	22	22	1.85	1.20	2.20	2.00	2.40	2.15	
		24	1.85	1.10	2.20	1.75	2.40	1.90	
3-1438230-5	18	18	2.05	1.50	2.40	2.30	2.80	2.70	
		20	2.05	1.40	2.40	2.20	2.80	2.60	

THIS DRAWING IS A CONTROLLED DOCUMENT.

DIMENSIONS: mm	TOLERANCES UNLESS OTHERWISE SPECIFIED:	DWN JR BUSSARD 09 MAY 2003	Tyco Electronics Corporation Harrisburg, PA 17105-3608
	0 PLC ± -	CHK DM REVAK 09 MAY 2003	
	1 PLC ± -	APVD DM REVAK 09 MAY 2003	
	2 PLC ± -	PRODUCT SPEC	
MATERIAL SEE NOTES	FINISH SEE NOTES	NAME	RESTRICTED TO

TERMINAL - WIRE SNAP ON FEMALE

SIZE A2	CAGE CODE 00779	DRAWING NO C=1438230	REVISION D
SCALE 5:1		SHEET 1 OF 1	REV D

Mouser Electronics

Authorized Distributor

Click to View Pricing, Inventory, Delivery & Lifecycle Information:

[TE Connectivity:](#)

[3-1438230-2](#)