

Technical specification:

Rated voltage: IEC 61076-2-101	4pos 160 V
Current rating: IEC 61076-2-101	4 A at 40°C
Insulation resistance: IEC 60512	>=100 MΩ
Pollution degree: IEC 60664-1	3/2
Degree of protection: IEC 60529	IP 67, in mated condition
Temperature range: IEC 60664-1	-30°C ... +60°C
Mating cycles: IEC 60512-9a	>=100

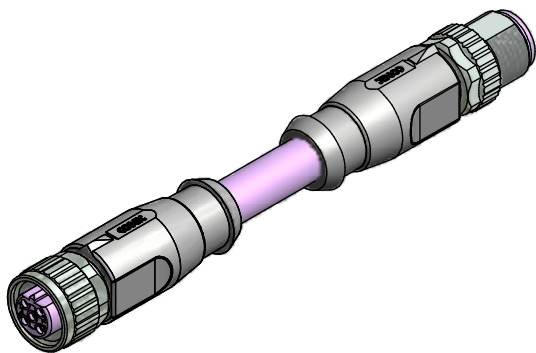
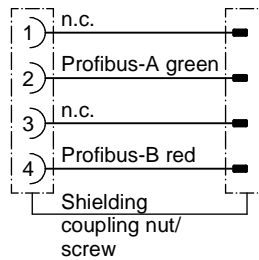
Materials:

Contact:	CuZn, CuBe
Contact plating:	Nickel, gold plated
Contact carrier:	PBT GF, UL 94
Sealing:	FPM
Coupling nut/ screw:	GD-Zn, nickel plated
Moulding body:	TPU, UL 94, grey

Installation specification:

Recommended torque:	0,6 Nm
Conec installation tool:	Torque wrench: 36-000200 Insert across flats 13: 36-000220

Contact assignment:



Part no:	Description:	Length L:	Cable:
43-10940	SAL - 12B - RK4.1 - RS4.1 - 0,3 / G4	0,3m	TPU, UL, violet, 2xAWG22 Cable: 781-G43200
43-10941	SAL - 12B - RK4.1 - RS4.1 - 0,6 / G4	0,6m	
43-10942	SAL - 12B - RK4.1 - RS4.1 - 1,5 / G4	1,5m	
43-10943	SAL - 12B - RK4.1 - RS4.1 - 3 / G4	3m	
43-xxxxx	SAL - 12B - RK4.1 - RS4.1 - ... / G4	x	

D see data sheet cable

DO NOT ALTER CAD DRAWING BY HAND Directive 2002/95/EC RoHS compliant	Index: b 01.03.11 VF Ä3767 Coupling nut/screw modified, spanner flats added, data sheet modified	dim. in mm	title: Connecting cable M12x1, Profibus DP, female connector axial - male connector axial						
	tolerance of cable: L ≤ 4m: L + 40mm L > 4m: L + 1%			<table border="1"> <tr> <td>date</td> <td>name</td> </tr> <tr> <td>drawn 08.03.07</td> <td>Fromm</td> </tr> <tr> <td>appd. 08.03.07</td> <td>Mankopf</td> </tr> </table>	date	name	drawn 08.03.07	Fromm	appd. 08.03.07
	date	name							
	drawn 08.03.07	Fromm							
appd. 08.03.07	Mankopf								
THIS DRAWING MAY NOT BE COPIED OR REPRODUCED IN ANY WAY, AND MAY NOT BE PASSED ON TO A THIRD PARTY WITHOUT WRITTEN PERMISSION. OWNERSHIP AND COPYRIGHT OF CONEC GmbH		dwg no: <div style="text-align: center; font-size: 1.2em;">43K1A242</div>							
		part no: <div style="text-align: center; font-size: 1.2em;">see table</div>							

Mouser Electronics

Authorized Distributor

Click to View Pricing, Inventory, Delivery & Lifecycle Information:

[CONEC:](#)

[43-10942](#)