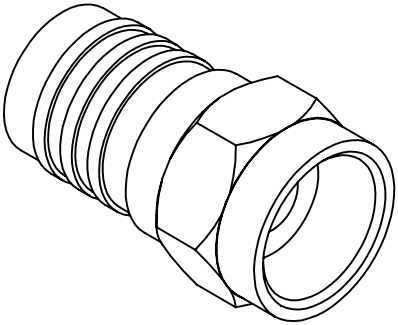
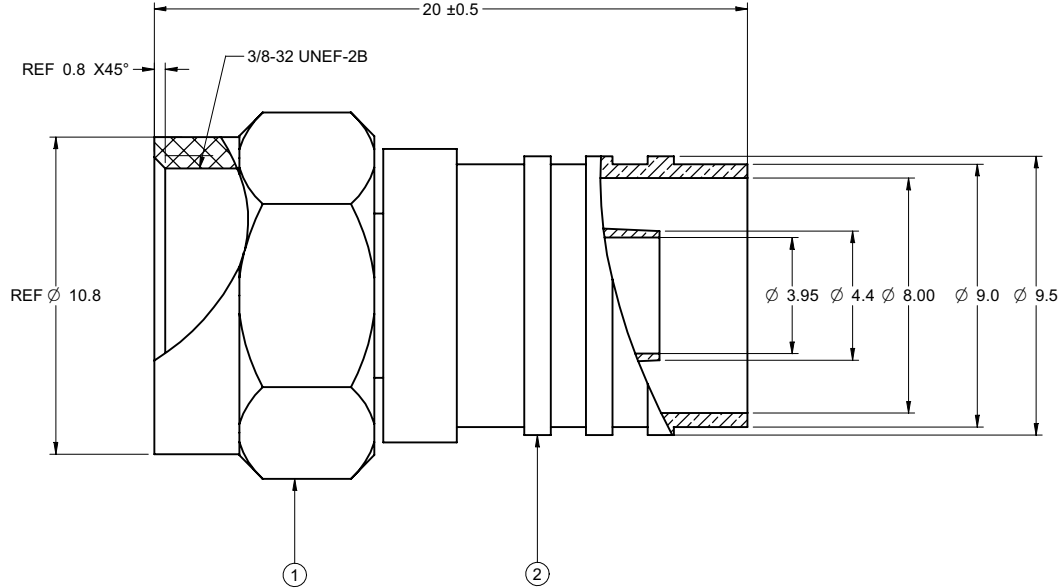
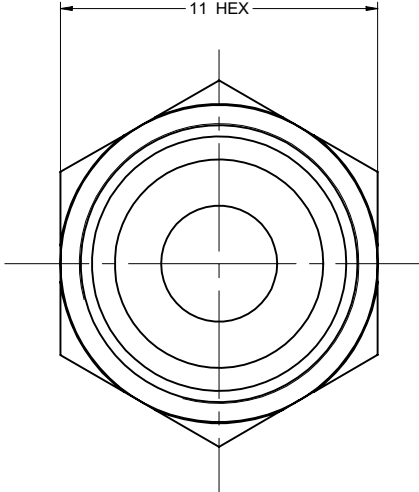


PART NUMBER	ITEM ① NUT	ITEM ② BODY
25-7031	ZINC NICKEL PLATED	BRASS NICKEL PLATED

受控 CONTROLLED DOCUMENT					
编号 P/N	25-7031	版本 Rev	0D	日期 Rel'd Date	Mar 24,08

DRAWING NO. 25-7031					
REVISIONS					
A RELEASE FOR QUOTATION					
09-01-06	W	L	T		
B ADD DIAMETER 8.95					
08-10-06	W	L	T		
C CHANGE OVERALL LENGTH TOLERANCE, ADD THREAD CHAMFER DIM. AND 4&5 NOTES.					
12-18-06	L	Y	T		
D UPDATE NOTES					
07-04-07	Z	W	T		



NOTES:
TECHNICAL REQUIREMENT AND CABLE ASSEMBLY INSTRUCTION REFER TO EMERSON NET WORK POWER CONNECTIVITY SOLUTIONS DOUCUMENT P/N 25-0000.

THIS DRAWING TO BE INTERPRETED PER ANSI Y 14.5M - 1994
COMPANY CONFIDENTIAL

TOLERANCE UNLESS OTHERWISE SPECIFIED		DRAWN BY GARY.ZHG	DATE 07-04-07
DECIMALS	mm	CHECKED BY IVON.WANG	DATE 07-04-07
X	± 0.5	APPROVED BY THOMAS	DATE 08-07-07
X.X	± 0.2		
X.XX	± 0.1		
ANGLES	± 0.5°	U/M	mm

 cinch <small>CONNECTIVITY SOLUTIONS</small> <small>a bel group</small>	
TITLE F-59ALX RG-59 TRI SHIELD	

THIS DRAWING WAS PRODUCED BY COMPUTER, DO NOT SCALE DRAWING OR UPDATE MANUALLY.		SHEET 1 OF 1	DRAWING NO. 25-7031	SIZE C
---	--	-----------------	------------------------	-----------

Mouser Electronics

Authorized Distributor

Click to View Pricing, Inventory, Delivery & Lifecycle Information:

[Cinch Connectivity Solutions:](#)

[25-7031](#)