

ALUMINUM ELECTROLYTIC CAPACITORS



Premium Grade Type, For Audio Equipment



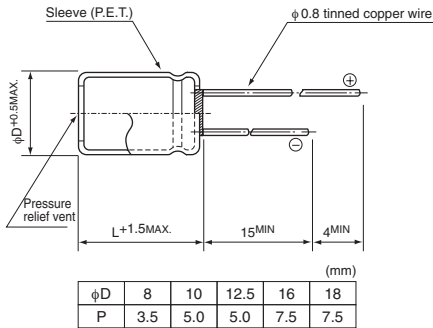
- Premium grade “nichicon MUSE” acoustic series.
- Ideally suited for first class audio equipment where qualitative and quantitative comfortableness is required.
- Compliant to the RoHS directive (2011/65/EU).



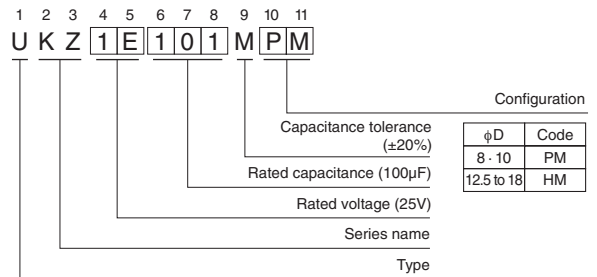
Specifications

Item	Performance Characteristics			
Category Temperature Range	-40 to +85°C			
Rated Voltage Range	25 to 100V			
Rated Capacitance Range	10 to 1000µF			
Capacitance Tolerance	±20% at 120Hz, 20°C			
Leakage Current	After 1 minute's application of rated voltage at 20°C, leakage current is 0.01CV or less.			
Tangent of loss angle (tan δ)	Measurement frequency : 120Hz at 20°C			
	Rated voltage (V)	25	50	100
Stability at Low Temperature	Measurement frequency : 120Hz			
	Rated voltage (V)	25	50	100
	Impedance ratio ZT / Z20 (MAX.)	Z-25°C / Z+20°C	2	2
Endurance	The specifications listed at right shall be met when the capacitors are restored to 20°C after the rated voltage is applied for 1000 hours at 85°C.			
	Capacitance change	Within ±20% of the initial capacitance value		
Shelf Life	After storing the capacitors under no load at 85°C for 1000 hours and then performing voltage treatment based on JIS C 5101-4 clause 4.1 at 20°C, they shall meet the specified values for the endurance characteristics listed above.			
	tan δ	150% or less than the initial specified value		
Marking	Printed with gold color letter on black sleeve.			
	Leakage Current	Less than or equal to the initial specified value		

Radial Lead Type



Type numbering system (Example : 25V 100µF)



• Please refer to page 20 about the end seal configuration.

Dimensions

Cap.(µF)	Code	φD × L (mm)		
		25	50	100
10	100	1E	1H	2A
22	220		8 × 11.5	10 × 16
33	330	8 × 11.5	10 × 12.5	10 × 20
47	470	10 × 12.5	10 × 16	12.5 × 20
100	101	10 × 16	12.5 × 20	16 × 25
220	221	12.5 × 20	16 × 25	16 × 35.5
330	331	12.5 × 25	16 × 31.5	18 × 35.5
470	471	16 × 25	16 × 35.5	
1000	102	16 × 35.5	18 × 40	

Please refer to page 20, 21, 22 about the formed or taped product spec.
Please refer to page 4 for the minimum order quantity.

Mouser Electronics

Authorized Distributor

Click to View Pricing, Inventory, Delivery & Lifecycle Information:

Nichicon:

[UKZ1E221MHB](#) [UKZ1E471MHB](#) [UKZ1E101MPM](#) [UKZ1E102MHM](#) [UKZ1E221MHM](#) [UKZ1E330MPM](#)
[UKZ1E331MHM](#) [UKZ1E470MPM](#) [UKZ1E471MHM](#) [UKZ1H101MHM](#) [UKZ1H102MHM](#) [UKZ1H221MHM](#)
[UKZ1H330MPM](#) [UKZ1H331MHM](#) [UKZ1H470MPM](#) [UKZ1H471MHM](#) [UKZ2A100MPM](#) [UKZ2A101MHM](#)
[UKZ2A220MPM](#) [UKZ2A221MHM](#) [UKZ2A330MPM](#) [UKZ2A331MHM](#) [UKZ2A470MHM](#) [UKZ1H220MPM](#)
[UKZ1E330MPM1TD](#) [UKZ1E101MPM1TD](#) [UKZ1H101MHM1TO](#) [UKZ1H470MPM1TD](#) [UKZ2A100MPM1TD](#)
[UKZ1E470MPM1TD](#) [UKZ2A100MPM1TA](#) [UKZ2A101MHM1TN](#)