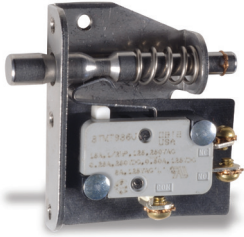


# TL Series Door Interlock Switches



## Features/Benefits

- Push/pull motion
- Multiple mounting configurations
- Wide variety of termination options
- Ratings up to 15 AMPS

## Typical Applications

- Computer enclosures
- Panel builders
- Industrial enclosures

## Specifications

CONTACT RATING: 15 AMPS @ 125 & 250 V AC; 0.25 AMP @ 250 V DC; 0.5 AMP @ 125 V DC; 1/2 HP @ 125 & 250 V AC; 3 AMPS @ 125 V AC "L".

ELECTRICAL LIFE: 150,000 cycles at 15 AMPS @ 250 V AC.

INSULATION RESISTANCE: 1,000 M ohm min.

DIELECTRIC STRENGTH: 1,000 Vrms min. @ sea level.

OPERATING TEMPERATURE: -67°F to 302°F (-55°C to 150°C).

**NOTE:** Specifications and materials listed above are for switches with standard options. For information on specific and custom switches, consult Customer Service Center.

## Materials

SWITCH HOUSING: Thermoplastic or general purpose phenolic (UL 94V-0).

MOUNTING BRACKET: Stainless steel.

PLUNGER: Stainless steel.

ACTUATOR BUTTON: Thermoplastic (UL 94V-0).

SPRING: Copper alloy.

PIVOT: Brass alloy.

MOVABLE CONTACT: Fine silver.

STATIONARY CONTACTS: Fine silver.

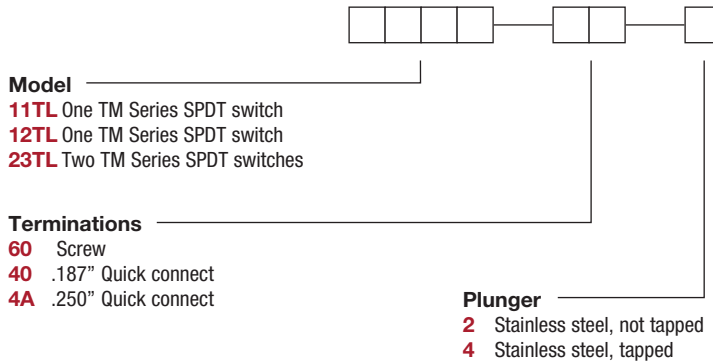
TERMINALS: Copper alloy.



Snap-acting

## Build-A-Switch

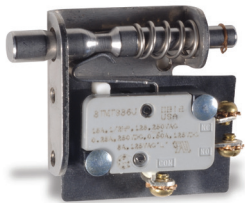
To order, simply select desired option from each category and place in the appropriate box. Available options are shown and described on pages J-83 and J-84. For additional options not shown in catalog, consult Customer Service Center.



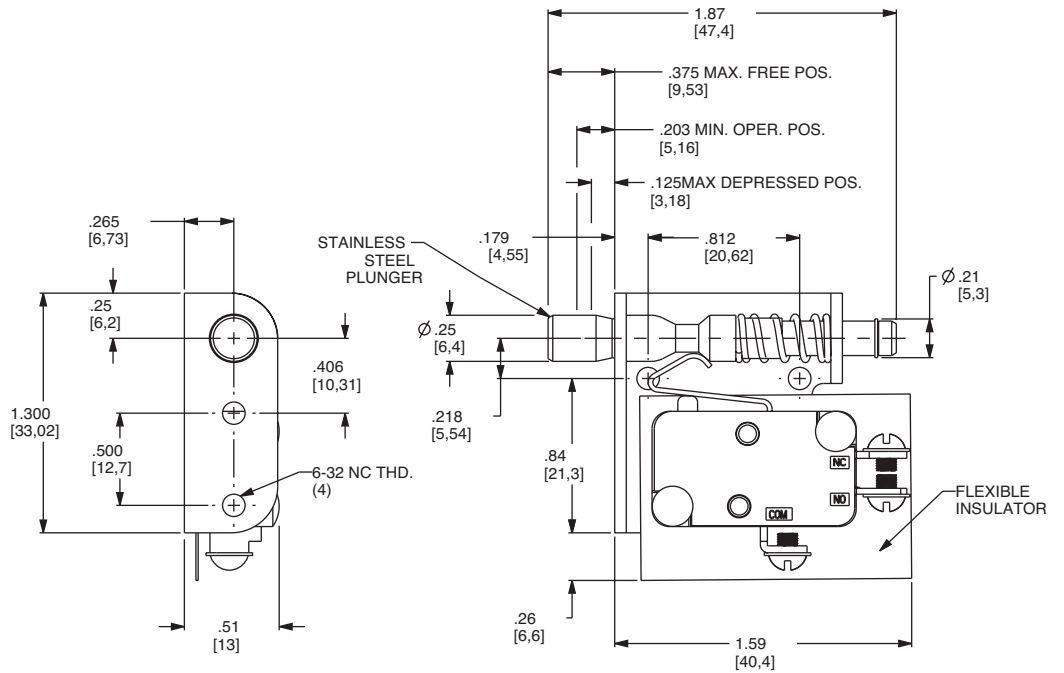
# TL Series Door Interlock Switches

MODEL                  

## 11TL WITH SMALL BRACKET

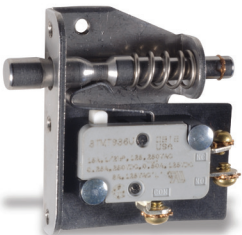


11TL602  
SPDT

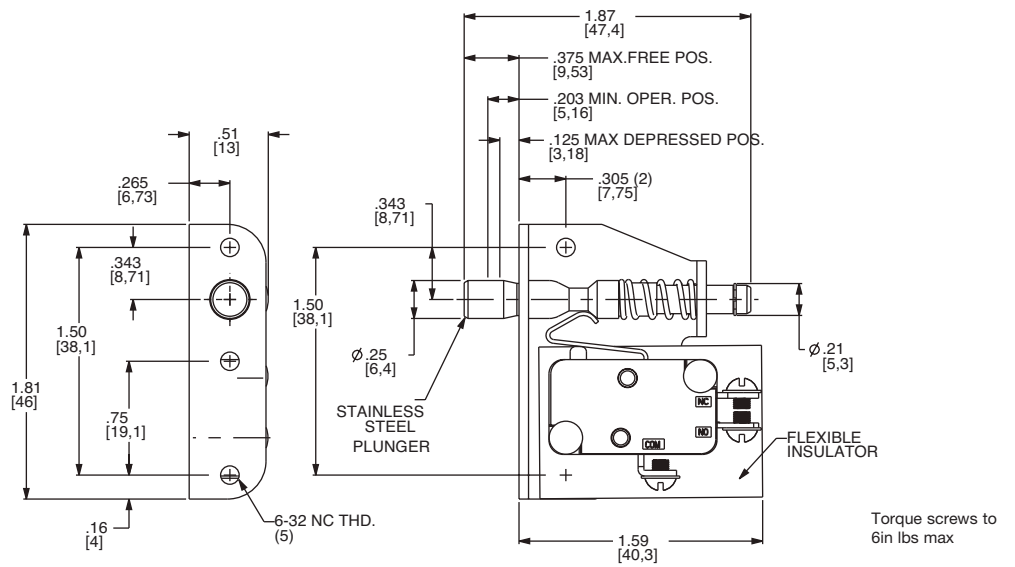


Snap-acting

## 12TL WITH LARGE BRACKET



12TL602  
SPDT



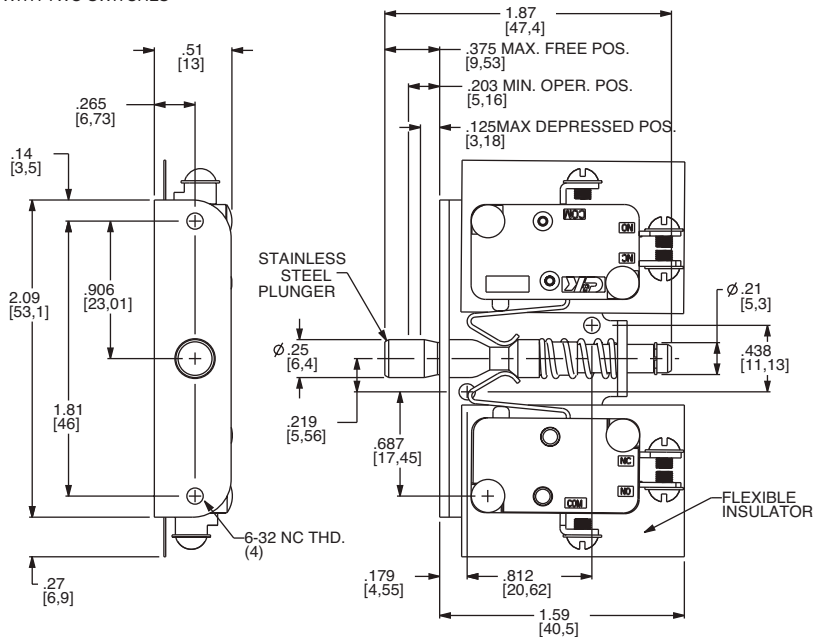
Dimensions are shown: Inches (mm)  
Specifications and dimensions subject to change



# TL Series Door Interlock Switches

MODEL

## 23TL WITH TWO SWITCHES

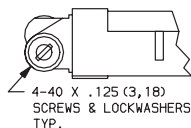


23TL602  
SPDT

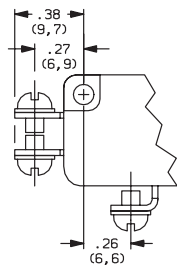
Snap-acting

## TERMINATIONS

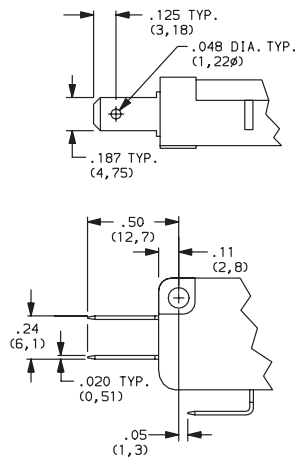
### 60 SCREW TERMINALS



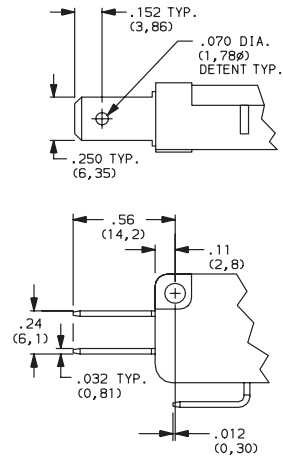
Torque screws to 6in lbs max



### 40 .187" QUICK CONNECT



### 4A .250" QUICK CONNECT



## PLUNGERS

### 2 STAINLESS STEEL, NOT TAPPED

### 4 STAINLESS STEEL, TAPPED 4-40 x .375 (9,52) min. depth

# Mouser Electronics

Authorized Distributor

Click to View Pricing, Inventory, Delivery & Lifecycle Information:

## C&K Switches:

[23TL604](#) [11TL604](#) [11TL4A2](#) [23TL4A4](#) [11TL402](#) [11TL602](#) [12TL4A4](#) [11TL404](#) [23TL404](#) [23TL602](#) [12TL402](#)  
[12TL604](#) [12TL602](#) [12TL4A2](#) [12TL404](#) [11TL4A4](#)