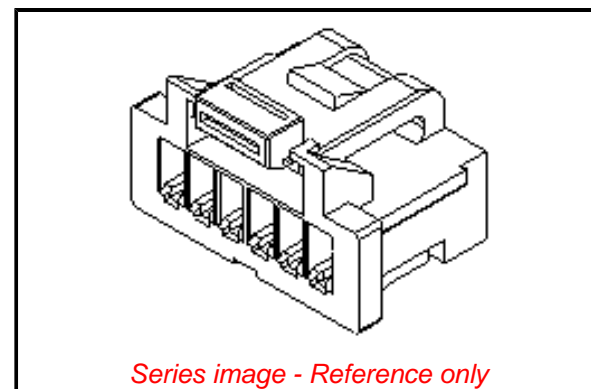


**PLEASE CHECK WWW.MOLEX.COM FOR LATEST PART INFORMATION**

**Part Number:** [5013301500](#)  
**Status:** **Active**  
**Overview:** Pico-Clasp Wire-to-Board Connectors  
**Description:** 1.00mm Pitch Pico-Clasp Wire-to-Board Female Housing, Single Row, with Positive Lock, 15 Circuits

**Documents:**

<a href="#">3D Model</a>	<a href="#">Product Specification PS-501568-001-001 (PDF)</a>
<a href="#">Drawing (PDF)</a>	<a href="#">Product Specification PS-504449-001-001 (PDF)</a>
<a href="#">Product Specification 5013300000-PS-000 (PDF)</a>	<a href="#">Packaging Specification SPK-501330-001-001 (PDF)</a>
<a href="#">Product Specification PS-501331-001-001 (PDF)</a>	<a href="#">RoHS Certificate of Compliance (PDF)</a>



**Agency Certification**

UL E29179

**General**

Product Family	Crimp Housings
Series	<a href="#">501330</a>
Application	Signal, Wire-to-Board
Overview	<a href="#">Pico-Clasp Wire-to-Board Connectors</a>
Product Name	Pico-Clasp
UPC	822348529001

**Physical**

Circuits (maximum)	15
Color - Resin	White
Gender	Receptacle
Glow-Wire Capable	No
Lock to Mating Part	Yes
Material - Resin	Nylon
Net Weight	118.600/mg
Number of Rows	1
Packaging Type	Bag
Panel Mount	No
Pitch - Mating Interface	1.00mm
Polarized to Mating Part	Yes
Stackable	No
Temperature Range - Operating	-40°C to +105°C

**Electrical**

Current - Maximum per Contact 1.0A

**Material Info**

**Reference - Drawing Numbers**

Packaging Specification	SPK-501330-001-001
Product Specification	5013300000-PS-000, PS-501331-001-001, PS-501568-001-001, PS-504449-001-001
Sales Drawing	SD-501330-002

**EU ELV**

**Compliant**

**EU RoHS**

**Compliant**

**REACH SVHC**

Not Contained Per  
-ED/01/2018 (15  
January 2018)

**Halogen-Free**

**Status**

**Low-Halogen**

**Need more information on product environmental compliance?**

Email [productcompliance@molex.com](mailto:productcompliance@molex.com)  
Please visit the [Contact Us](#) section for any non-product compliance questions.

China ROHS	Green Image
ELV	Compliant
RoHS Phthalates	Not Contained

**Search Parts in this Series**

[501330 Series](#)

**Mates With**

[501331](#) , [203556](#) , [203557](#) Vertical PCB Header  
[501568](#) , [203558](#) , [203559](#) Right Angle PCB Header

**Use With**

[501334](#) Tin Crimp Terminal  
[501193](#) Gold Crimp Terminal

# Mouser Electronics

Authorized Distributor

Click to View Pricing, Inventory, Delivery & Lifecycle Information:

[Molex:](#)

[501330-1500](#)