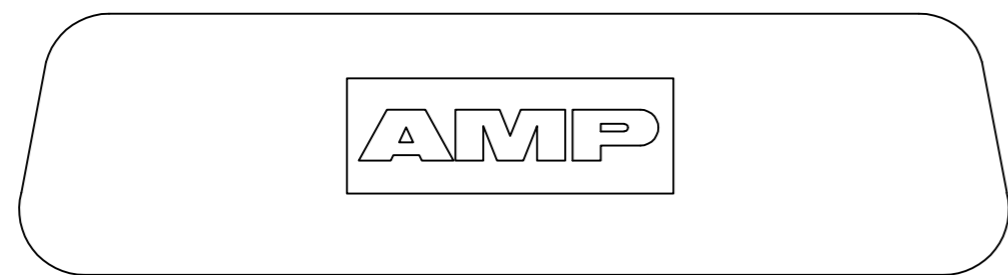
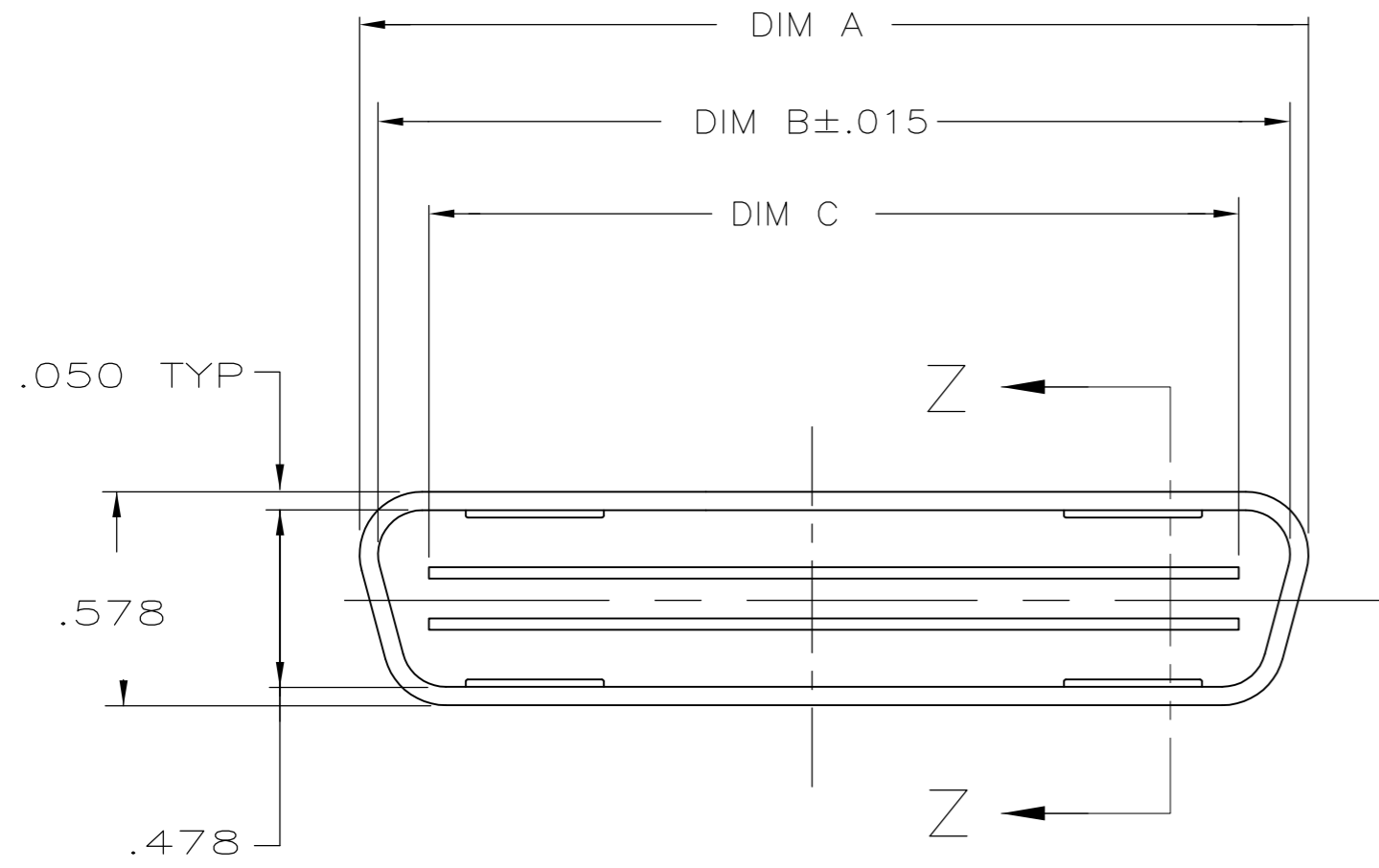


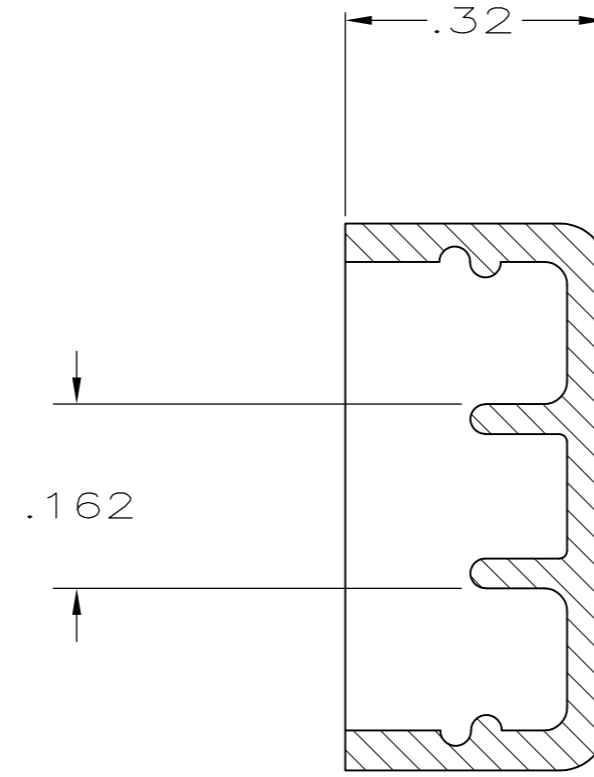
THIS DRAWING IS UNPUBLISHED. RELEASED FOR PUBLICATION  
 © COPYRIGHT - By - ALL RIGHTS RESERVED.

LOC	DIST	REVISIONS			
P	LTR	DESCRIPTION	DATE	DWN	APVD
AA	40				
		K1 REVISED PER ECO-11-004835	11MAR11	RK	HMR



1. ALL DIMENSIONS SHOWN ARE FOR REFERENCE ONLY UNLESS OTHERWISE SPECIFIED.

△ THERMOPLASTIC, COLOR: RED.



SECTION Z-Z  
SCALE 4:1

OBSOLETE	.662	1.012	1.112	14	229969-5
	1.087	1.437	1.537	24	229969-4
	1.597	1.947	2.047	36	229969-3
	2.787	3.137	3.237	64	229969-2
	2.192	2.542	2.642	50	229969-1
	DIM. C	DIM. B	DIM. A	POSITION	PART NO.

THIS DRAWING IS A CONTROLLED DOCUMENT.		DWN 15 MAR 94 GP MACARTHUR	<b>STE</b> TE Connectivity		
DIMENSIONS: mm [INCHES]		CHK 18 MAR 94 N. JONES			
TOLERANCES UNLESS OTHERWISE SPECIFIED:		APVD 21 MAR 94 J. TRAMMEL	NAME COVER, DUST, RECEPTACLE, CHAMP		
0 PLC ± - 1 PLC ± - 2 PLC ± .02 3 PLC ± .005 4 PLC ± - ANGLES ± -		PRODUCT SPEC APPLICATION SPEC	SIZE A2	CAGE CODE 00779	DRAWING NO C=229969
MATERIAL △	FINISH -	WEIGHT -	SCALE 2:1	SHEET 1 of 1	RESTRICTED TO REV K1
CUSTOMER DRAWING					

# Mouser Electronics

Authorized Distributor

Click to View Pricing, Inventory, Delivery & Lifecycle Information:

[TE Connectivity:](#)

[229969-4](#)