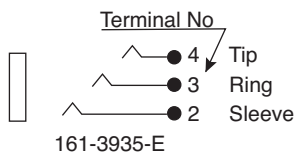
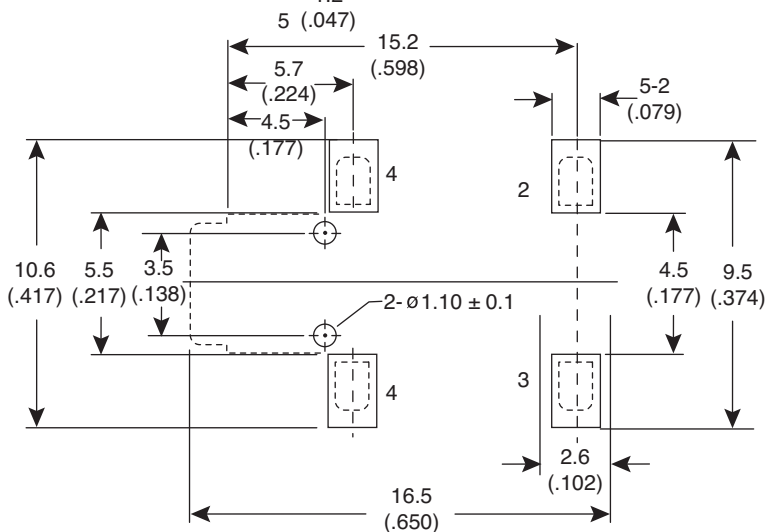
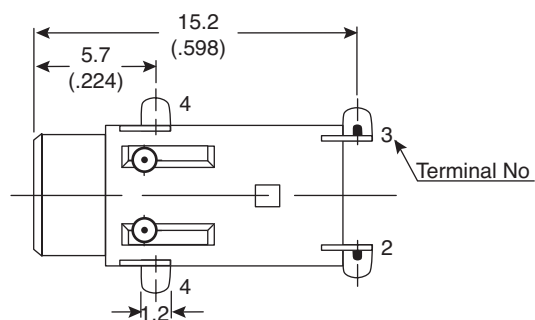
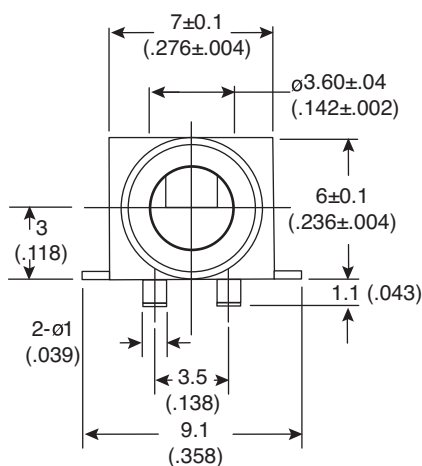
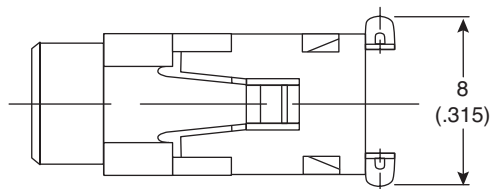
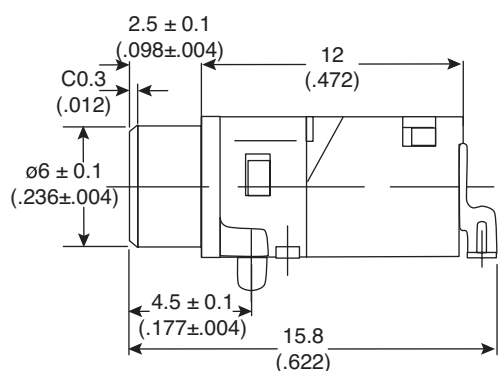


3.5mm Earphone Jack

161-3935-E

KOBICONN

3.5mm Earphone Jack



Tolerances:
 $X \leq 5 = 0.20$ (.008)
 $X > 5 = 0.30$ (.012)

PCB Hole & Surface Mount Layout

Dimensions: mm (in.)

SPECIFICATIONS	
Body:	PA66/GF Resin
Contacts:	Silver Plated, Phosphor Bronze
Solder Temp:	340 to 360°
Solder Time:	3 to 4 sec.
Mfg advises this part is not designed for reflow soldering	
RoHS Compliant	

Date Last Revised: 7-3-12

Available from Mouser Electronics
 1-800-346-6873
 www.mouser.com

KC-300869

161-3935-E

Mouser Electronics

Authorized Distributor

Click to View Pricing, Inventory, Delivery & Lifecycle Information:

[Kobiconn:](#)

[161-3935-E](#)