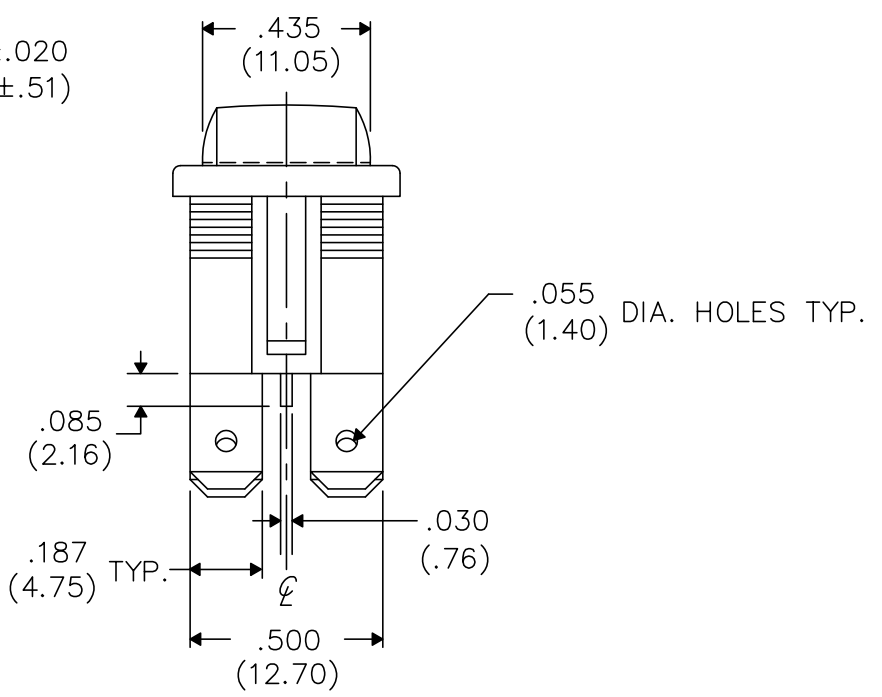
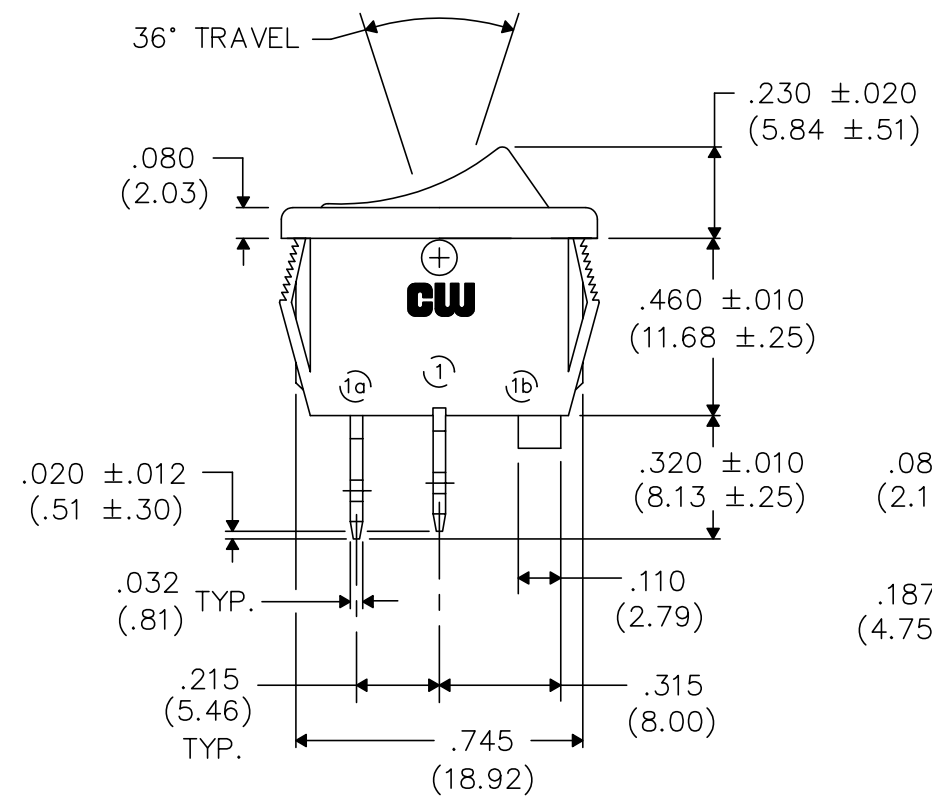
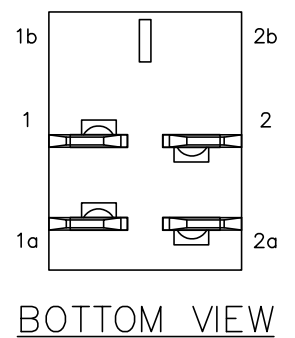
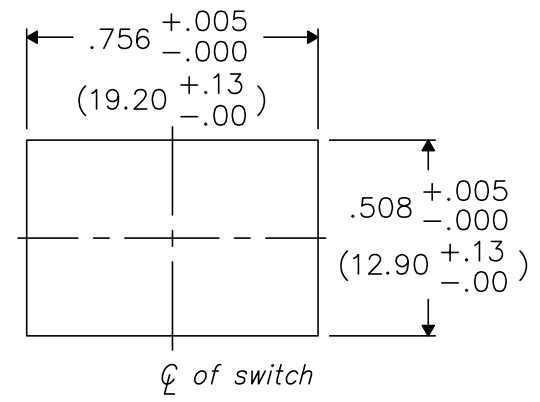
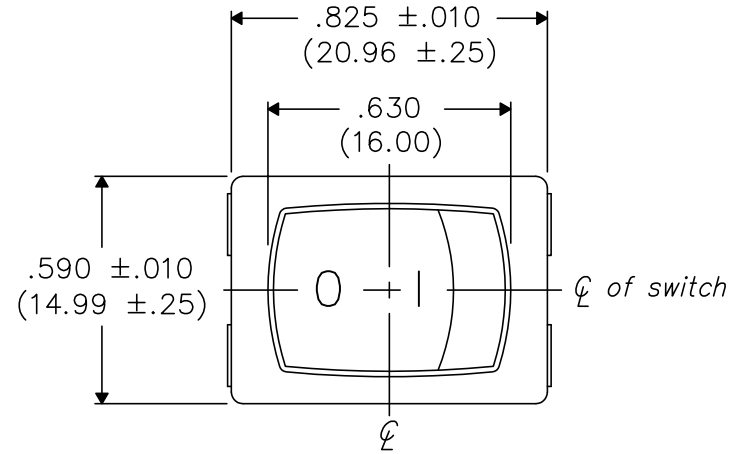


DIMENSIONS IN INCHES (MILLIMETERS)
DO NOT SCALE DRAWING

Dwg. No.
GRS-4021-0032

E
D
C
B
A

PANEL PIERCING



1 2 3 4 5 6 7 8 9 10

FORM-B3	REVISIONS	0									
		RELEASED. DGW 3-12-2002 3-13-2002									

PDF File Made	CW INDUSTRIES Southampton, Pa. 18966
	TOLERANCES UNLESS OTHERWISE SPECIFIED
	2 Place Decimal ±.010 METRIC
	3 Place Decimal ±.005 1 Place Dec. ±.25mm
	Angles ±1° 2 Place Dec. ±.13mm
Made for: CW IND.	Division: SWITCH
Drawn by: DGW 3-12-2002	Dwg. No. GRS-4021-0032
Checked by: GG 3-13-2002	
Approval: BF 3-13-2002	

Title: MINI-ROCKER ASSEMBLY
NO BARR. (POP IN)
D.P.- S.T.

Mouser Electronics

Authorized Distributor

Click to View Pricing, Inventory, Delivery & Lifecycle Information:

[CW Industries:](#)

[GRS-4021-0032](#)