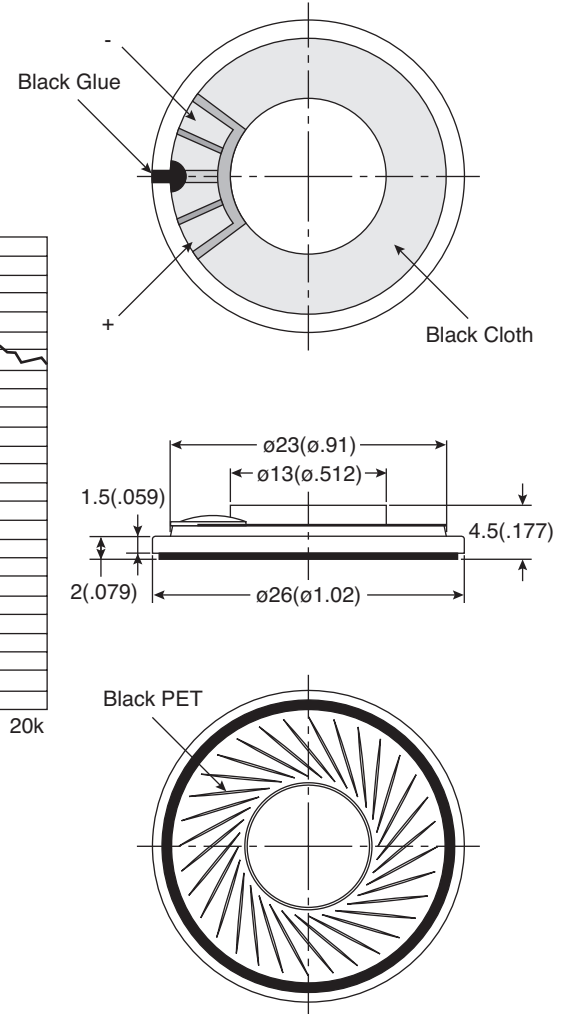
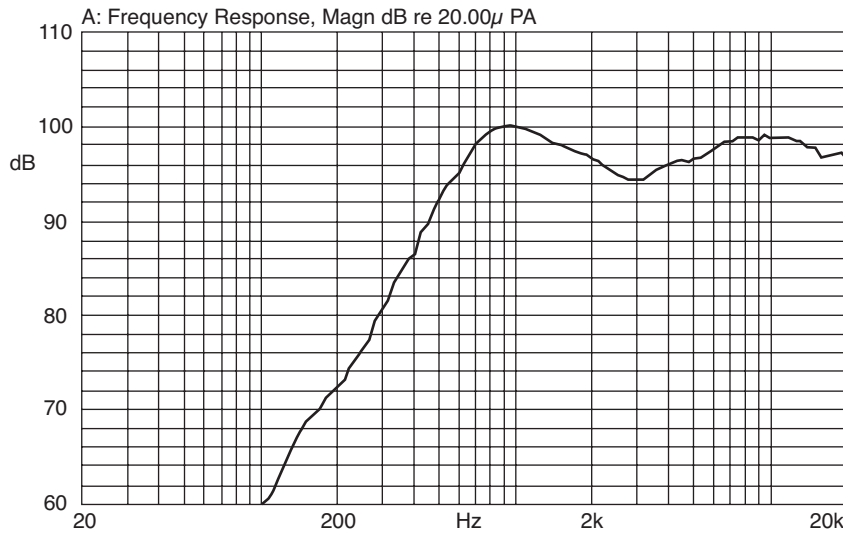


**Part Number:**

254-DS2686-RO

Frequency Response Curve



Dynamic Speaker

KT-400541

**Electrical Specifications:**

- Rated Input Power: 1.0W
- Max. Input Power: 1.2W for 1 minute
- Impedance: 8Ω ± 15% at 2KHz
- Resonant Frequency (Fo): 800Hz ± 20% at FO, 1V
- Frequency Range: Fo - 20KHz
- Sensitivity (S.P.L.): 93dB (0.5W/0.1m) ± 3dB  
97dB (1.0W/0.1m) ± 3dB

**Mechanical Specifications:**

- Operating Temperature: -20°C to + 60°C
- Storage Temperature: -25°C to +70°C

**Materials:**

- Magnet: Nd-Fe-B

**Soldering Specifications:**

- Recommend using constant branding iron in 30W
- Temperature range 360±5°C for 2 seconds

**Note:**

- RoHS Compliant

# Mouser Electronics

Authorized Distributor

Click to View Pricing, Inventory, Delivery & Lifecycle Information:

[Kobitone:](#)

[254-DS2686-RO](#)