

DO NOT SCALE FROM THIS PRINT

DESIGNED & DIMENSIONED IN MILLIMETERS [INCHES]

QRF8-XXX-XX-X-RA-GP-XX

No OF POSITIONS
-026, -052, -078
(PER ROW)

SOLDER TAIL LEAD STYLE
-01: 1.57[.062] BOARD OR
2.36[.093] BOARD
(SEE NOTE 17)

OPTION
-K: POLYIMIDE FILM
(NOT AVAILABLE FOR
-026 & -078)
(USE K-DOT-276-.375-.005
SEE FIG 2, SHT 6)
-TR: TAPE & REEL
(SEE NOTE 10)

GUIDE POSTS REQUIREMENT
-GP (SEE NOTE 9)

RIGHT ANGLE
-RA

PLATING SPECIFICATION

-S: 30µ" SELECTIVE GOLD IN CONTACT AREA,
MATTE TIN ON TAIL
(USE C-288-XX-S & IM-T-1G36-XX-S)
-L: 10µ" SELECTIVE GOLD IN CONTACT AREA,
MATTE TIN ON TAIL
(USE C-288-XX-L & IM-T-1G36-XX-L)

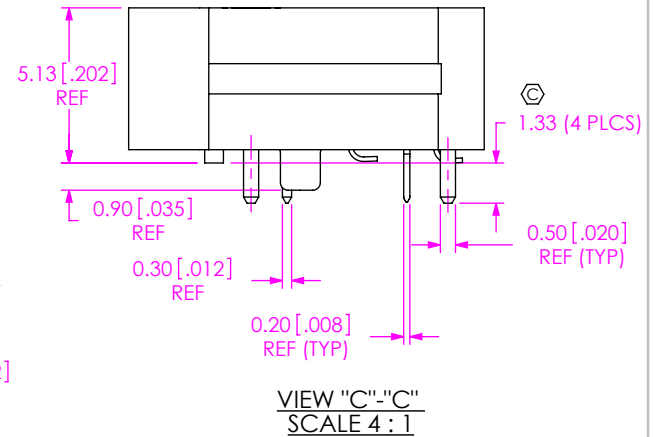
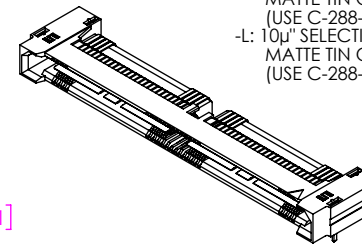
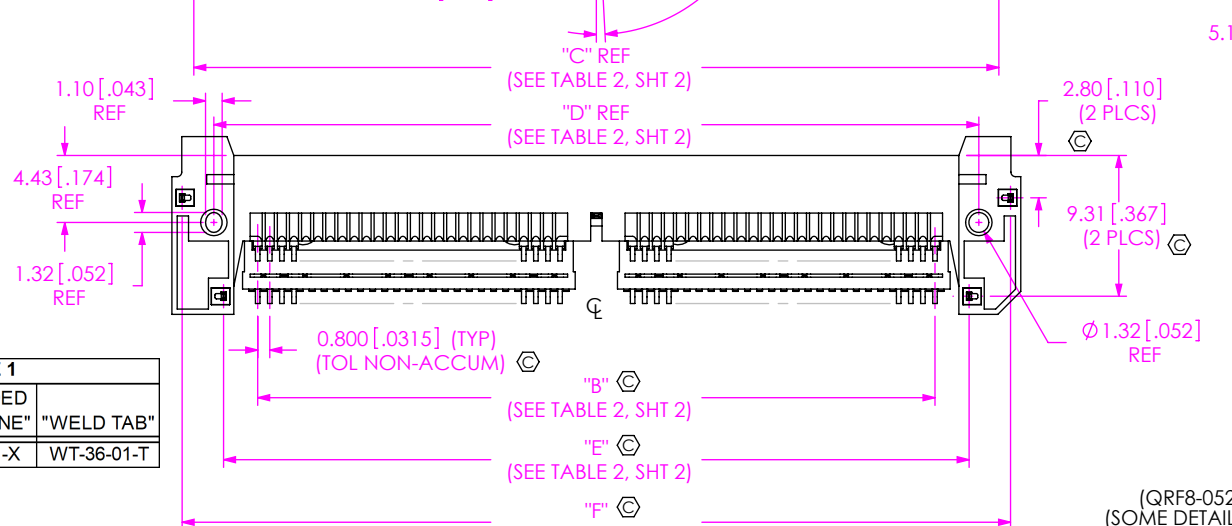
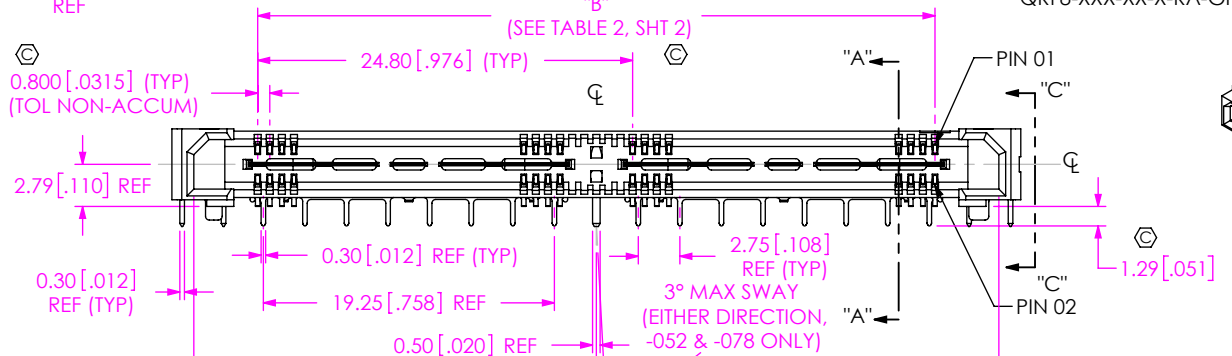
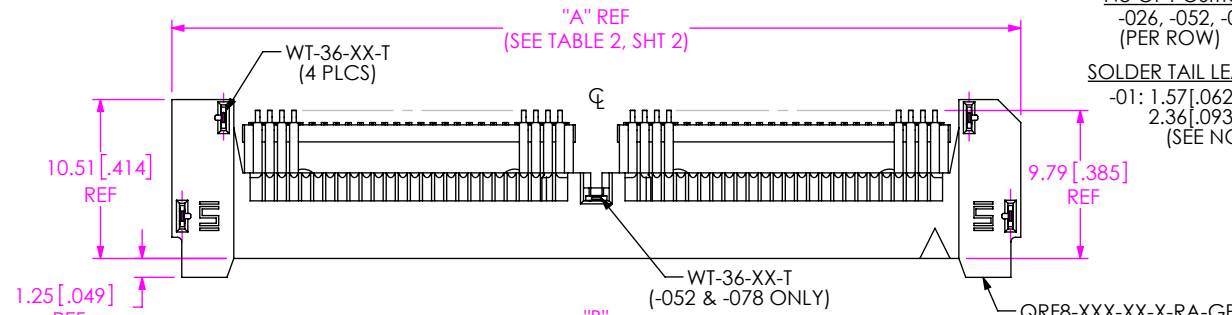


FIG 1
(QRF8-052-01-X-RA-GP SHOWN)
(SOME DETAIL REMOVED FOR CLARITY)

| TABLE 1 | | |
|------------|----------------------------|------------|
| LEAD STYLE | "OVER MOLDED GROUND PLANE" | "WELD TAB" |
| -01 | IM-T-1G36-01-X | WT-36-01-T |

NOTES:

- ⊙ REPRESENTS A CRITICAL DIMENSION.
- BURR ALLOWANCE: 0.038[.0015].
- MINIMUM PUSHOUT FORCE: SIGNAL: 2.22N[.5 LB]. GROUND PLANE: 4.45N[1 LB].
- NOTE DELETED.
- MEASURE AT BEND TANGENCY.
- MEASURE ON PINS ONLY, STANDOFFS NOT INCLUDED IN MEASUREMENT.
- POST HEIGHT VARIATION BETWEEN ANY TWO PINS: 0.05[.002] MAXIMUM.
- NOTE DELETED.
- PARTS WITH THE -GP OPTION MUST MATE TO -GP OPTIONED QRM8 PARTS.
- PARTS TO BE PACKAGED IN TRAYS, UNLESS -TR OPTION IS SPECIFIED. -078 POSITION IS NOT AVAILABLE IN TAPE AND REEL.
- DIMENSIONS MUST BE MEASURED BOTH ENDS OF COMB OR CONNECTOR.
- NOTE DELETED.
- NOTE DELETED.
- NOTE DELETED.
- SHEAR BURR ALLOWANCE: 0.15[.006] MAX ON THIS EDGE.
- NOTE DELETED.
- THE -01 SOLDER TAIL LEAD STYLE CAN BE USED FOR A 1.57[.062] OR A 2.36[.093] THICK PCB IF SAMTEC'S RECOMMENDED STENCIL APERTURE IS UTILIZED.

UNLESS OTHERWISE SPECIFIED, DIMENSIONS ARE IN MILLIMETERS [INCHES].
TOLERANCES ARE:
DECIMALS ANGLES
X.X: ±0.3 [.01] 2°
X.XX: ±0.13 [.005]
X.XXX: ±0.050 [.0020]

PROPRIETARY NOTE
THIS DOCUMENT CONTAINS CONFIDENTIAL AND PROPRIETARY INFORMATION AND ALL DESIGN, MANUFACTURING, REPRODUCTION, USE, PATENT RIGHTS AND SALES RIGHTS ARE EXPRESSLY RESERVED BY SAMTEC, INC. THIS DOCUMENT SHALL NOT BE DISCLOSED, IN WHOLE OR PART, TO ANY UNAUTHORIZED PERSON OR ENTITY NOR REPRODUCED, TRANSFERRED OR INCORPORATED IN ANY OTHER PROJECT IN ANY MANNER WITHOUT THE EXPRESS WRITTEN CONSENT OF SAMTEC, INC.

MATERIAL: DO NOT SCALE DRAWING SHEET SCALE: 2:1
INSULATORS: LCP UL94V-0; COLOR BLACK
CONTACT: PHOS BRONZE
GROUND PLANE: PHOS BRONZE

F:\DWG\MISC\VKMTG\QRF8-XXX-XX-X-RA-GP-XX-MKT.SLDRW

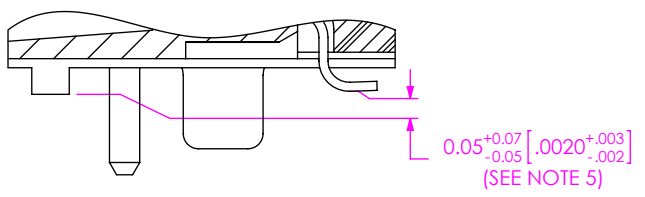
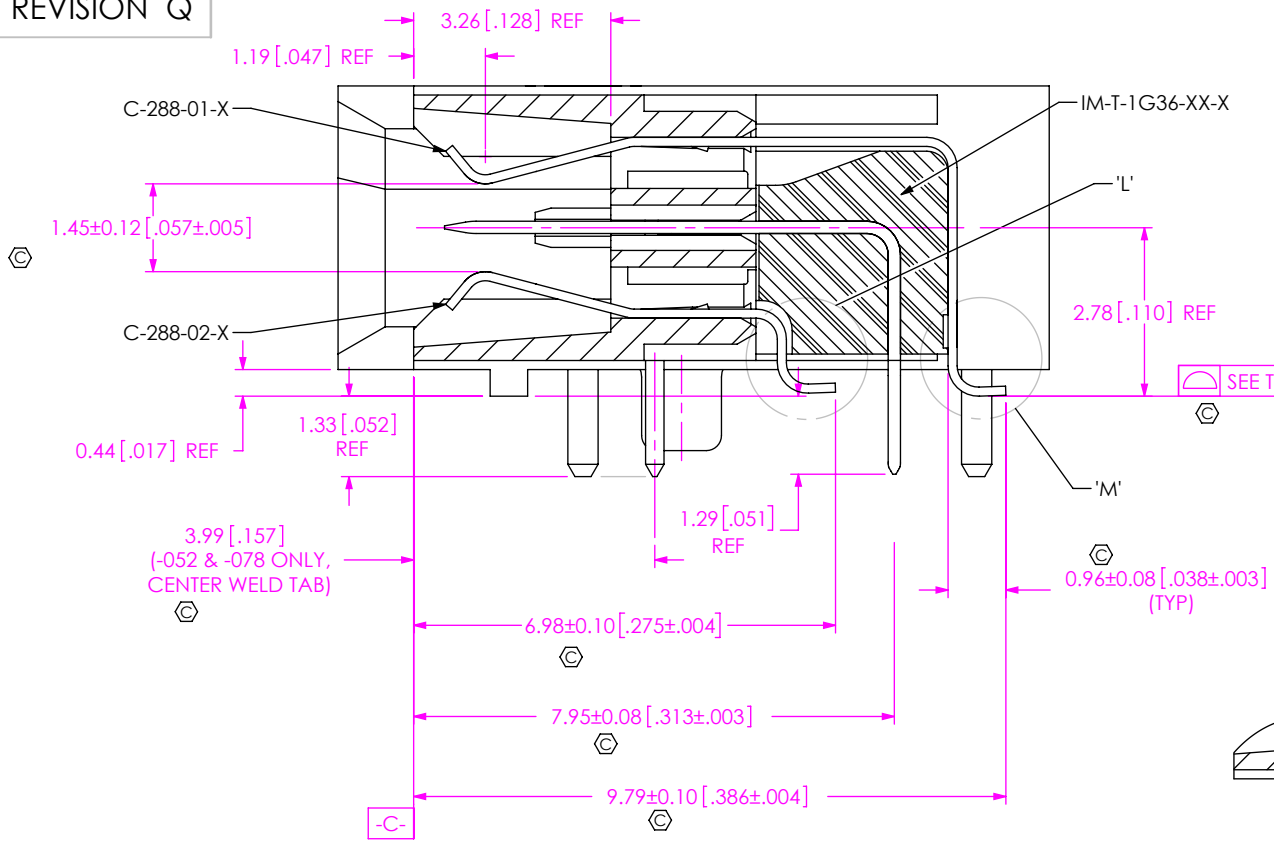
520 PARK EAST BLVD, NEW ALBANY, IN 47150
PHONE: 812-944-6733 FAX: 812-948-5047
e-Mail info@SAMTEC.com code 55322

DESCRIPTION:
0.8mm Q-RATE RIGHT ANGLE SOCKET ASSEMBLY

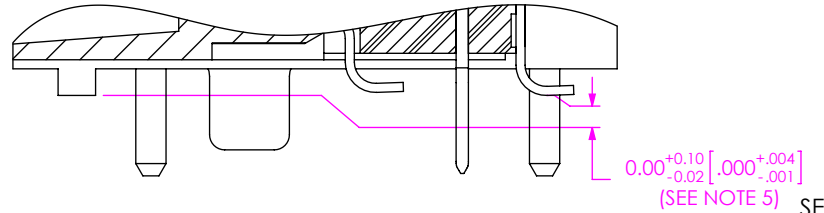
DWG. NO.
QRF8-XXX-XX-X-RA-GP-XX

BY: R MUSSER 09/19/2008 SHEET 1 OF 6

| No OF POSITIONS | BOTTOM ROW STRAIGHTNESS | TOP ROW STRAIGHTNESS | COPLANARITY |
|------------------|-------------------------|----------------------|--------------|
| -026, -052, -078 | 0.10 [0.004] | 0.10 [0.004] | 0.15 [0.006] |



DETAIL 'L'
BOTTOM ROW TAIL
(LOCATE ASSY ON DATUM -C- FOR MEASUREMENTS)



DETAIL 'M'
TOP ROW TAIL
(LOCATE ASSY ON DATUM -C- FOR MEASUREMENTS)

| No OF POSITIONS | "A" | "B" | "C" | "D" | "E" | "F" |
|-----------------|---------------|---------------|---------------|---------------|---------------|---------------|
| -026 | 31.35 [1.234] | 20.00 [0.787] | 28.45 [1.120] | 25.80 [1.016] | 24.52 [0.965] | 30.00 [1.181] |
| -052 | 56.15 [2.211] | 44.80 [1.764] | 53.25 [2.096] | 50.60 [1.992] | 49.32 [1.942] | 54.80 [2.157] |
| -078 | 80.95 [3.187] | 69.60 [2.740] | 78.05 [3.073] | 75.40 [2.969] | 74.12 [2.918] | 79.60 [3.134] |

PROPRIETARY NOTE
 THIS DOCUMENT CONTAINS CONFIDENTIAL AND PROPRIETARY INFORMATION AND ALL DESIGN, MANUFACTURING, REPRODUCTION, USE, PATENT RIGHTS AND SALES RIGHTS ARE EXPRESSLY RESERVED BY SAMTEC, INC. THIS DOCUMENT SHALL NOT BE DISCLOSED, IN WHOLE OR PART, TO ANY UNAUTHORIZED PERSON OR ENTITY NOR REPRODUCED, TRANSFERRED OR INCORPORATED IN ANY OTHER PROJECT IN ANY MANNER WITHOUT THE EXPRESS WRITTEN CONSENT OF SAMTEC, INC.

DO NOT SCALE DRAWING
 SHEET SCALE: 2:1

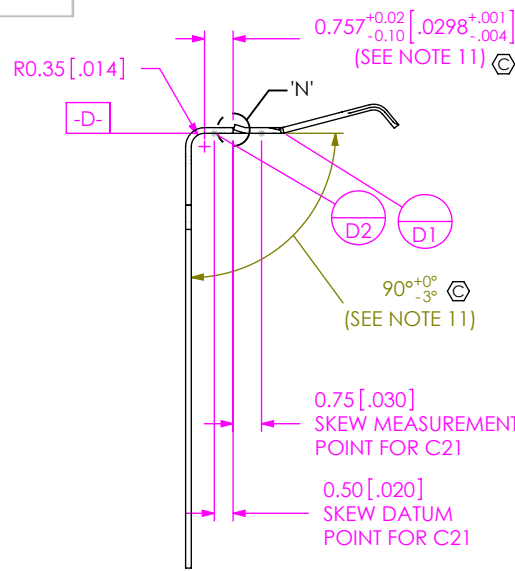


520 PARK EAST BLVD, NEW ALBANY, IN 47150
 PHONE: 812-944-6733 FAX: 812-948-5047
 e-Mail info@SAMTEC.com code 55322

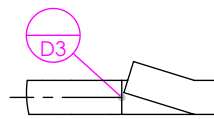
DESCRIPTION:
0.8mm Q-RATE RIGHT ANGLE SOCKET ASSEMBLY

DWG. NO.
QRF8-XXX-XX-X-RA-GP-XX

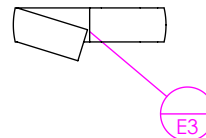
BY: R MUSSER 09/19/2008 SHEET 2 OF 6



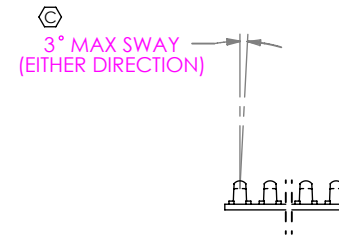
IN-PROCESS 1
(FORM 1 CONTACT C-288-02-X)
(RIGHT SIDE SHOWN)



DETAIL 'N'
SCALE 30 : 1

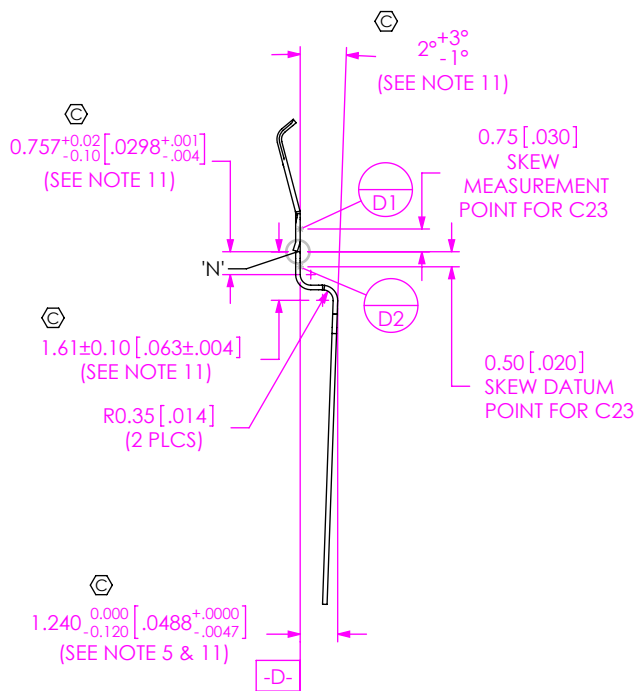
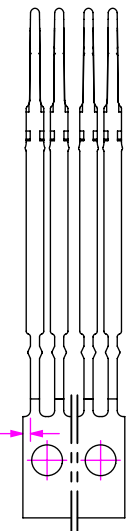


DETAIL 'P'
SCALE 30 : 1

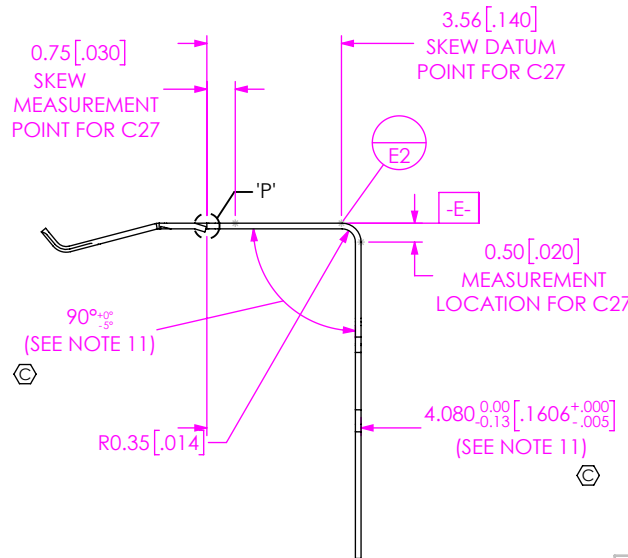


0.25±0.08 [.010±.003]

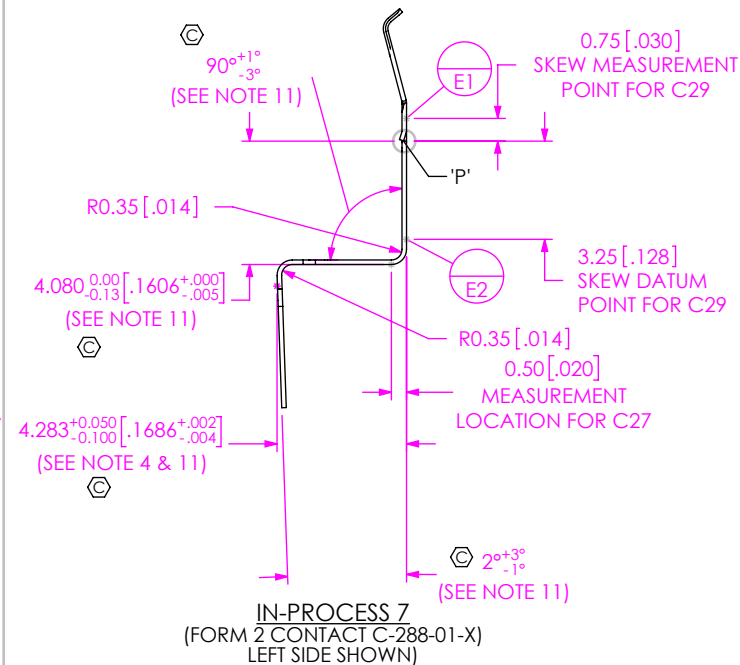
C-288-XX-X IN-PROCESS VIEW



IN-PROCESS 2
(FORM 2 CONTACT C-288-02-X)
(RIGHT SIDE SHOWN)



IN-PROCESS 6
(FORM 1 CONTACT C-288-01-X)
(LEFT SIDE SHOWN)



IN-PROCESS 7
(FORM 2 CONTACT C-288-01-X)
(LEFT SIDE SHOWN)

PROPRIETARY NOTE
THIS DOCUMENT CONTAINS CONFIDENTIAL AND PROPRIETARY INFORMATION AND ALL DESIGN, MANUFACTURING, REPRODUCTION, USE, PATENT RIGHTS AND SALES RIGHTS ARE EXPRESSLY RESERVED BY SAMTEC, INC. THIS DOCUMENT SHALL NOT BE DISCLOSED, IN WHOLE OR PART, TO ANY UNAUTHORIZED PERSON OR ENTITY NOR REPRODUCED, TRANSFERRED OR INCORPORATED IN ANY OTHER PROJECT IN ANY MANNER WITHOUT THE EXPRESS WRITTEN CONSENT OF SAMTEC, INC.

DO NOT SCALE DRAWING

SHEET SCALE: 4:1

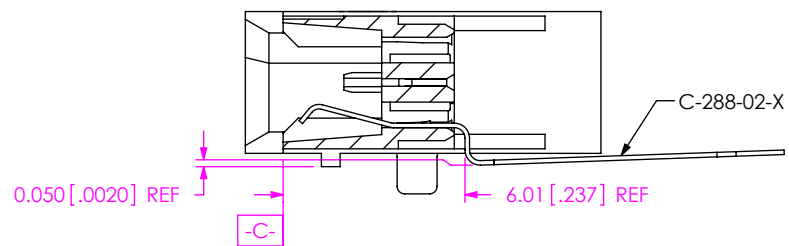


520 PARK EAST BLVD, NEW ALBANY, IN 47150
PHONE: 812-944-6733 FAX: 812-948-5047
e-Mail info@SAMTEC.com code 55322

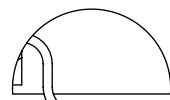
DESCRIPTION:
0.8mm Q-RATE RIGHT ANGLE SOCKET ASSEMBLY

DWG. NO.
QRF8-XXX-XX-X-RA-GP-XX

BY: R MUSSER 09/19/2008 SHEET 3 OF 6



IN-PROCESS 3
(FILL BOTTOM ROW)
(SEE INSPECTION VIEW 1 FOR ASSEMBLY ORIENTATION AND CPC'S)



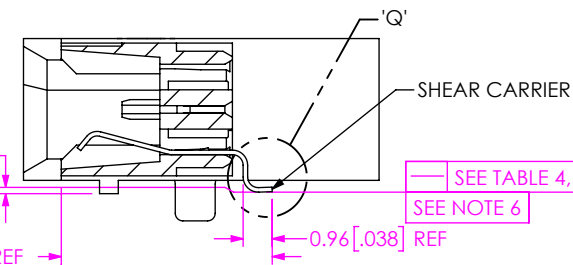
DETAIL 'Q'
SCALE 8:1

SEE NOTE 15

0.050 [.0020] REF

6.98 [.275] REF

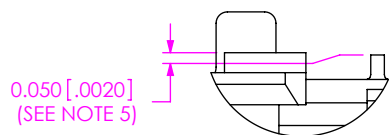
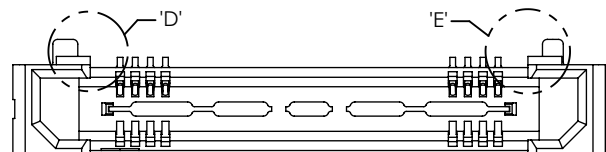
-C-



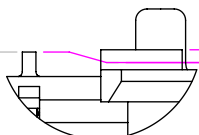
SEE TABLE 4, SHT 2
SEE NOTE 6

IN-PROCESS 4
(CUTOFF OF CARRIER)
(SEE INSPECTION VIEW 1 FOR ASSEMBLY ORIENTATION AND CPC'S)

INSPECTION VIEW 1



DETAIL 'D'
SCALE 6:1

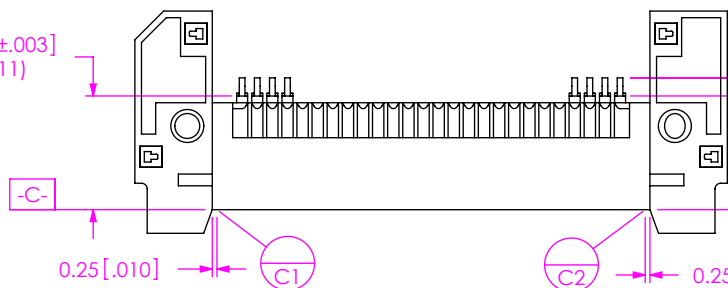


DETAIL 'E'
SCALE 6:1

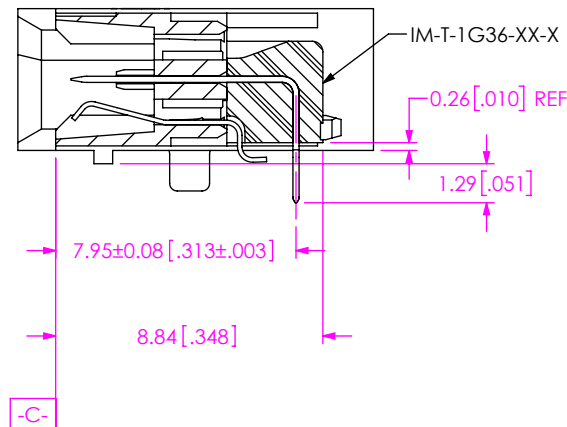
SEE TABLE 4, SHT 2
SEE NOTE 6

6.02±0.08 [.237±.003]
(SEE NOTE 11)

⊙



INSPECTION FOR IN-PROCESS 3 & 4
(CARRIER NOT SHOWN FOR IN-PROCESS 3 INSPECTIONS)



IN-PROCESS 5
(FILL OVER MOLDED GROUND PLANE)
(IM-T-1G36-XX-X)

PROPRIETARY NOTE

THIS DOCUMENT CONTAINS CONFIDENTIAL AND PROPRIETARY INFORMATION AND ALL DESIGN, MANUFACTURING, REPRODUCTION, USE, PATENT RIGHTS AND SALES RIGHTS ARE EXPRESSLY RESERVED BY SAMTEC, INC. THIS DOCUMENT SHALL NOT BE DISCLOSED, IN WHOLE OR PART, TO ANY UNAUTHORIZED PERSON OR ENTITY NOR REPRODUCED, TRANSFERRED OR INCORPORATED IN ANY OTHER PROJECT IN ANY MANNER WITHOUT THE EXPRESS WRITTEN CONSENT OF SAMTEC, INC.

DO NOT SCALE DRAWING

SHEET SCALE: 4:1

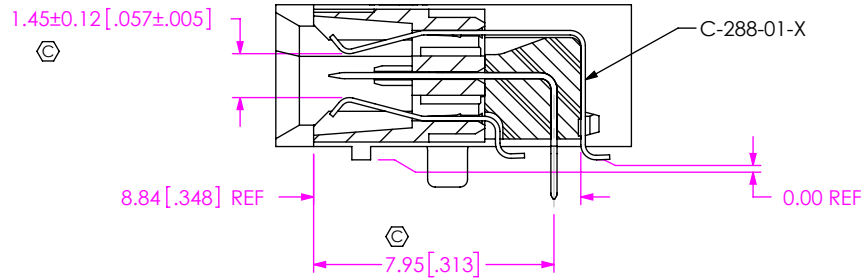


520 PARK EAST BLVD, NEW ALBANY, IN 47150
PHONE: 812-944-6733 FAX: 812-948-5047
e-Mail info@SAMTEC.com code 55322

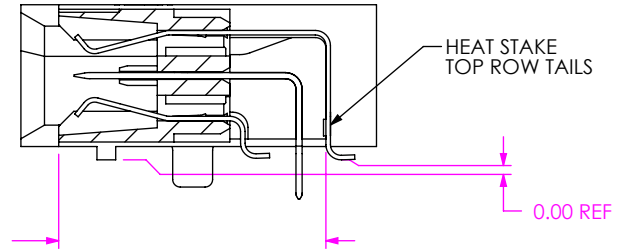
DESCRIPTION:
0.8mm Q-RATE RIGHT ANGLE SOCKET ASSEMBLY

DWG. NO.
QRF8-XXX-XX-X-RA-GP-XX

BY: R MUSSER 09/19/2008 SHEET 4 OF 6

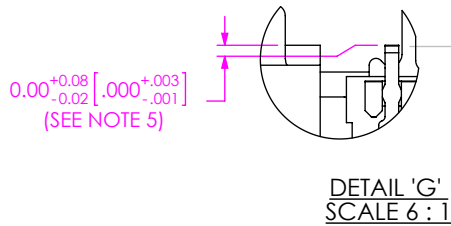
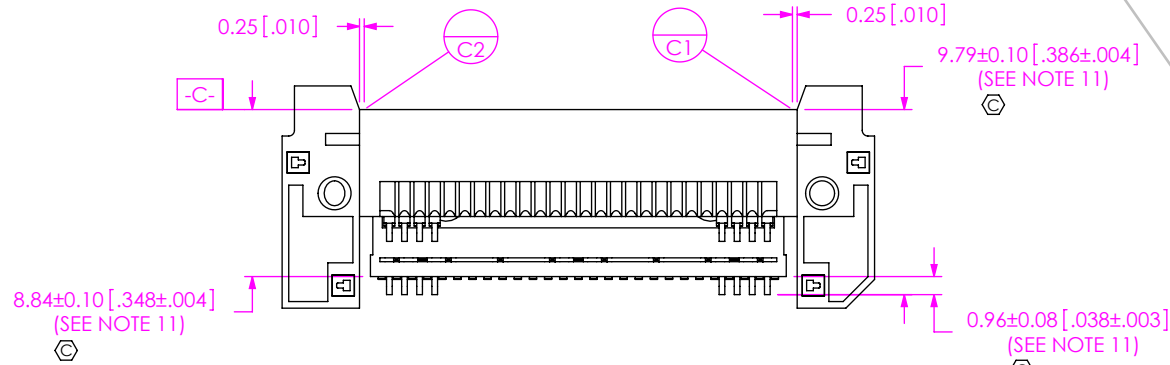


IN-PROCESS 8
(FILL TOP ROW)
(SEE INSPECTION VIEW 2 FOR ASSEMBLY ORIENTATION AND CPC'S)

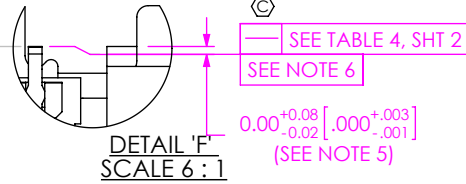


IN-PROCESS 9
(HEAT STAKE TOP ROW CONTACTS)
(SEE INSPECTION VIEW 2 FOR ASSEMBLY ORIENTATION AND CPC'S)

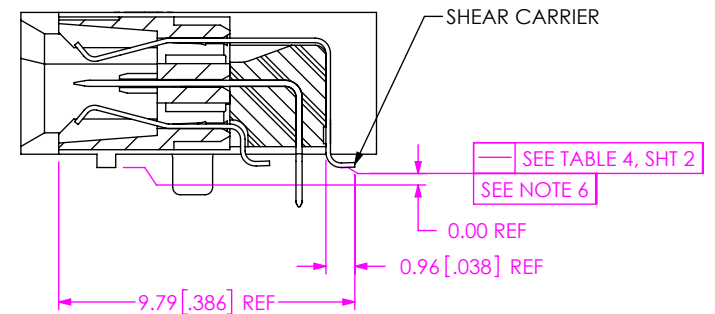
INSPECTION VIEW 2



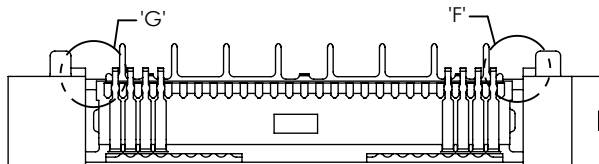
DETAIL 'G'
SCALE 6:1



DETAIL 'F'
SCALE 6:1



IN-PROCESS 10
(CUTOFF OF CARRIER)
(SEE INSPECTION VIEW 2 FOR ASSEMBLY ORIENTATION AND CPC'S)



INSPECTION FOR IN-PROCESS 8, 9 & 10
(CARRIER NOT SHOWN FOR IN-PROCESS 8 INSPECTIONS)

PROPRIETARY NOTE
THIS DOCUMENT CONTAINS CONFIDENTIAL AND PROPRIETARY INFORMATION AND ALL DESIGN, MANUFACTURING, REPRODUCTION, USE, PATENT RIGHTS AND SALES RIGHTS ARE EXPRESSLY RESERVED BY SAMTEC, INC. THIS DOCUMENT SHALL NOT BE DISCLOSED, IN WHOLE OR PART, TO ANY UNAUTHORIZED PERSON OR ENTITY NOR REPRODUCED, TRANSFERRED OR INCORPORATED IN ANY OTHER PROJECT IN ANY MANNER WITHOUT THE EXPRESS WRITTEN CONSENT OF SAMTEC, INC.

DO NOT SCALE DRAWING

SHEET SCALE: 4:1



520 PARK EAST BLVD, NEW ALBANY, IN 47150
PHONE: 812-944-6733 FAX: 812-948-5047
e-Mail info@SAMTEC.com code 55322

DESCRIPTION:
0.8mm Q-RATE RIGHT ANGLE SOCKET ASSEMBLY

DWG. NO.
QRF8-XXX-XX-X-RA-GP-XX

BY: R MUSSER 09/19/2008 SHEET 5 OF 6

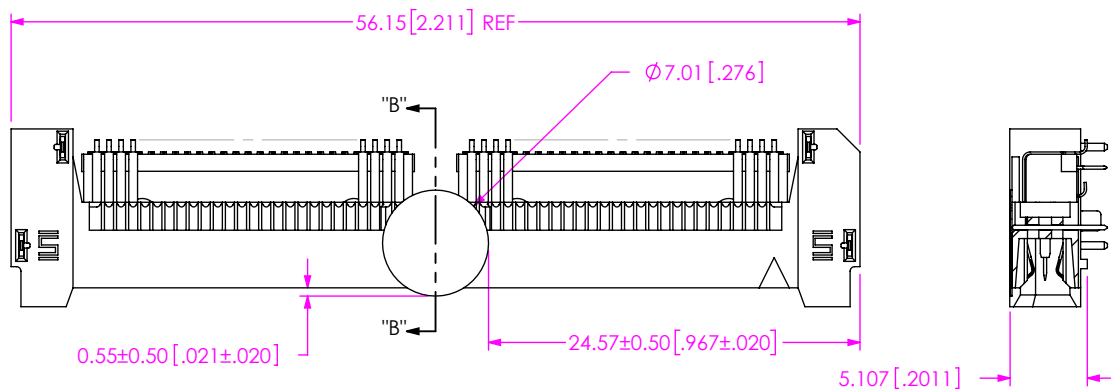
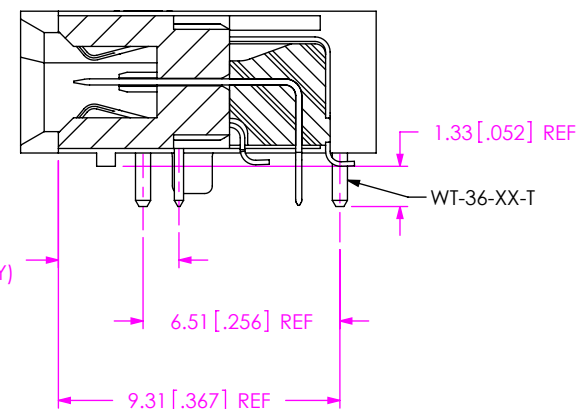
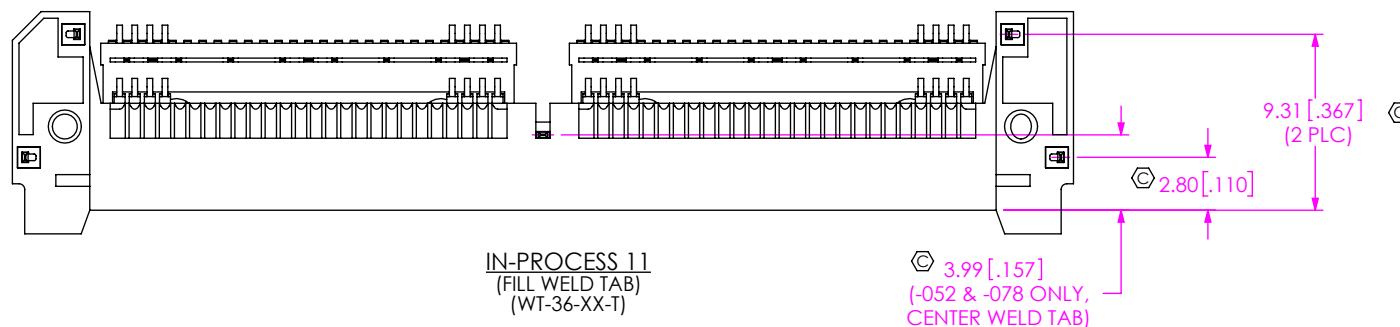
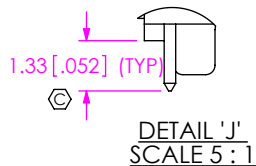
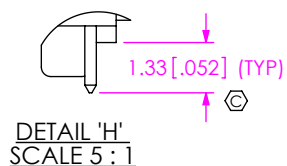
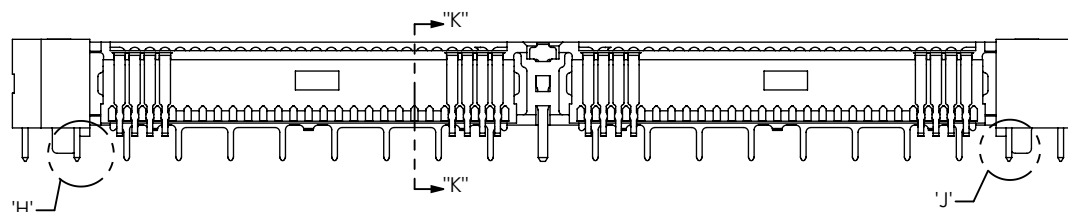


FIG 2
-K OPTION
(USE K-DOT-.276-.375-.005)
(ONLY FOR QRF8-052-01-X-RA-GP-K SHOWN)
(SOME DETAIL REMOVED FOR CLARITY)

SECTION "B"-"B"
SCALE 2:1

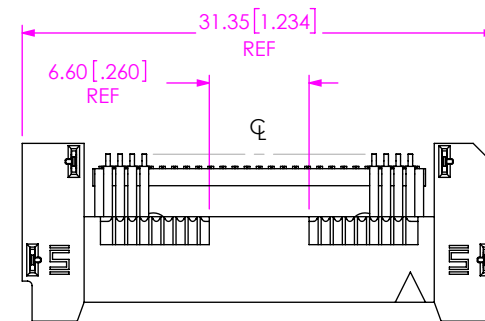


FIG 3
(QRF8-026-01-X-RA-GP SHOWN)
(SOME DETAIL REMOVED FOR CLARITY)

PROPRIETARY NOTE
THIS DOCUMENT CONTAINS CONFIDENTIAL AND PROPRIETARY INFORMATION AND ALL DESIGN, MANUFACTURING, REPRODUCTION, USE, PATENT RIGHTS AND SALES RIGHTS ARE EXPRESSLY RESERVED BY SAMTEC, INC. THIS DOCUMENT SHALL NOT BE DISCLOSED, IN WHOLE OR PART, TO ANY UNAUTHORIZED PERSON OR ENTITY NOR REPRODUCED, TRANSFERRED OR INCORPORATED IN ANY OTHER PROJECT IN ANY MANNER WITHOUT THE EXPRESS WRITTEN CONSENT OF SAMTEC, INC.

DO NOT SCALE DRAWING

SHEET SCALE: 4:1



520 PARK EAST BLVD, NEW ALBANY, IN 47150
PHONE: 812-944-6733 FAX: 812-948-5047
e-Mail info@SAMTEC.com code 55322

DESCRIPTION:
0.8mm Q-RATE RIGHT ANGLE SOCKET ASSEMBLY

DWG. NO.
QRF8-XXX-XX-X-RA-GP-XX

BY: R MUSSER 09/19/2008 SHEET 6 OF 6