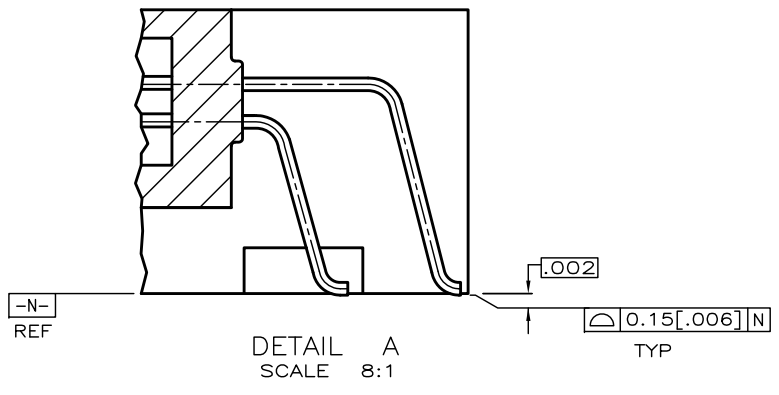
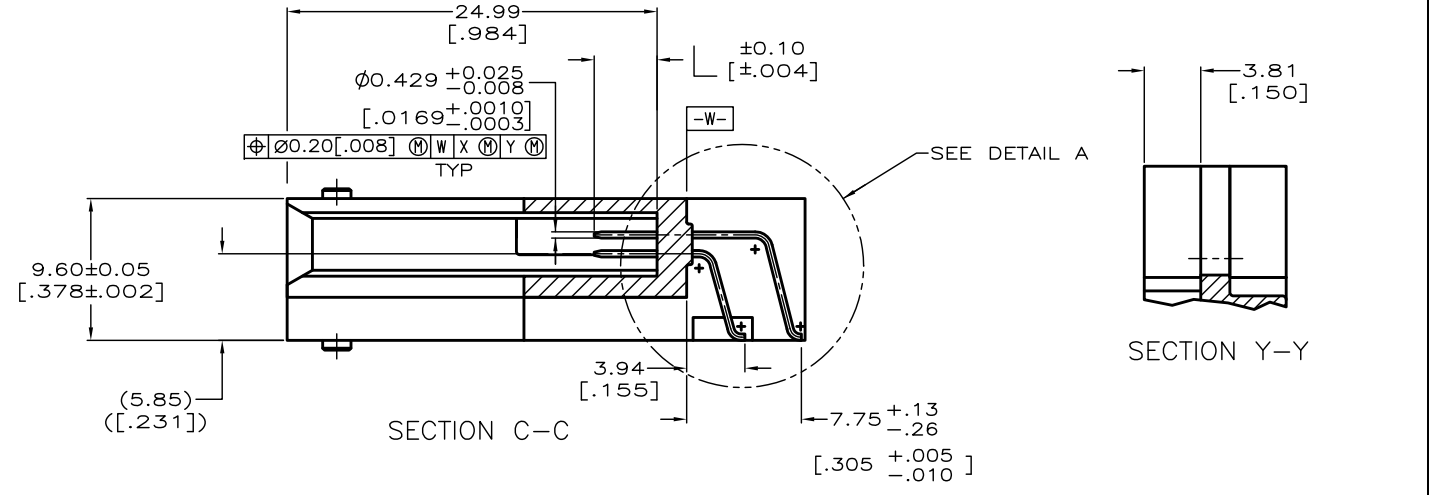
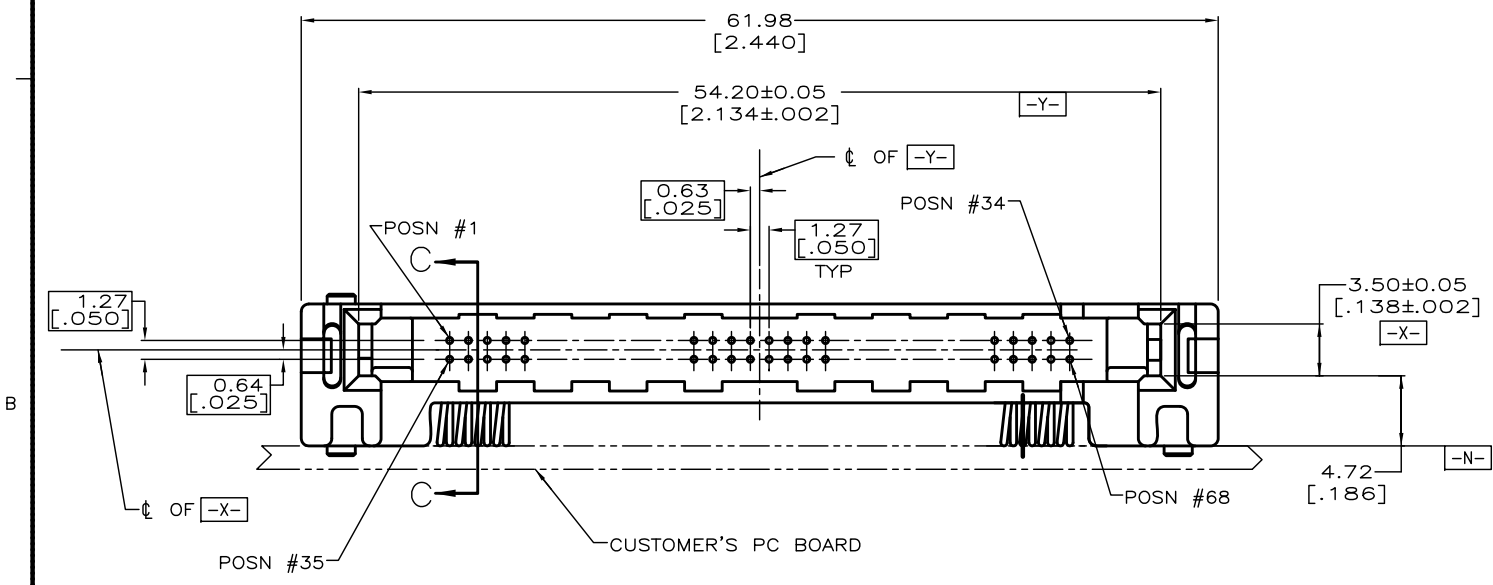
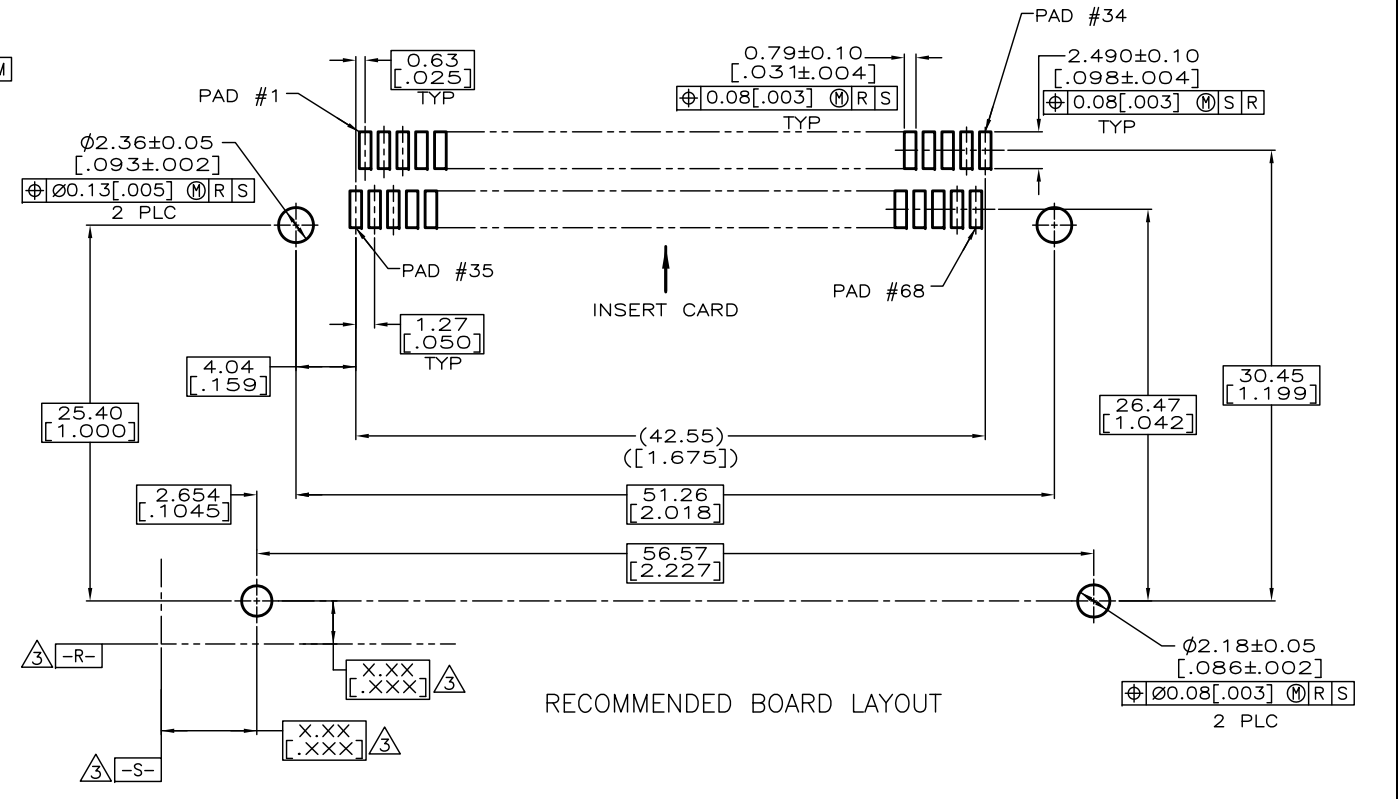
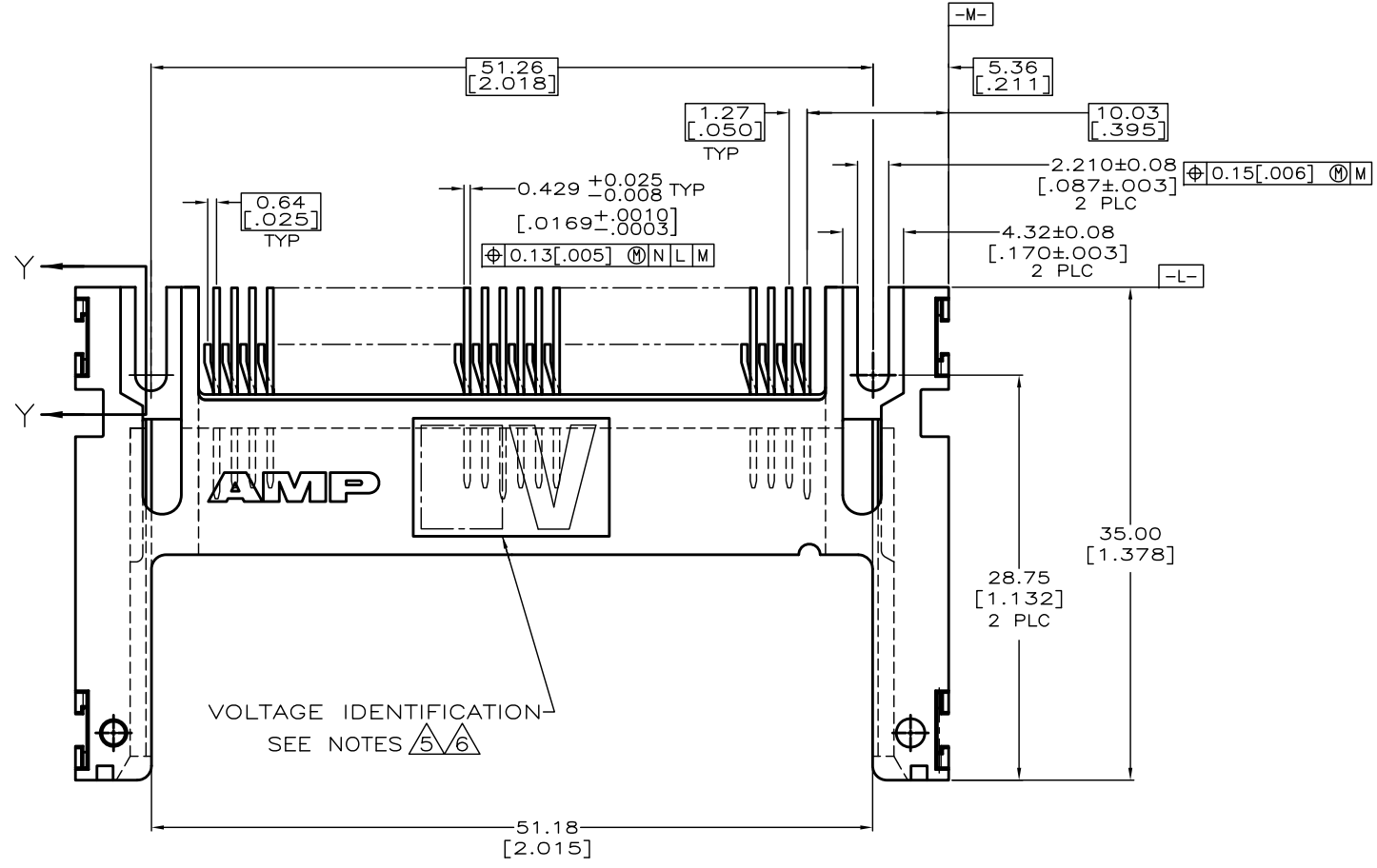


THIS DRAWING IS UNPUBLISHED. RELEASED FOR PUBLICATION
 BY TYCO ELECTRONICS CORPORATION. ALL RIGHTS RESERVED.

REV	DATE	BY	CHK	APP'D
A	27MAR2013	BW	HK	



- ⚠ PIN: 0.00076 [.000030] MINIMUM GOLD IN CONTACT AREA, 0.00381 [.000150] MIN TIN ON SOLDER TAILS, ALL OVER 0.00127 [.000050] MINIMUM NICKEL
- 2. CUSTOMER TO PROVIDE CARD GUIDANCE SYSTEM
- ⚠ DATUMS AND BASIC DIMENSIONS ESTABLISHED BY CUSTOMER
- 4. CONNECTOR REQUIRES USE OF 2 - SIZE 2M SCREWS FOR FASTENING TO PRINTED CIRCUIT BOARD
- ⚠ ASSEMBLY KEYED FOR 5 VOLT CARDS
- ⚠ ASSEMBLY KEYED FOR LOW VOLT CARDS (3.3V)
- ⚠ PACKAGED IN TRAYS, 9 X 17 INCH APPROXIMATE SIZE.
- ⚠ PACKAGED IN TRAYS, 9 X 12 INCH APPROXIMATE SIZE.
- ⚠ PACKAGED IN TAPE & REEL.
- ⚠ MATERIAL: HOUSING: LCP COLOR; BLACK PIN: BRASS
- ⚠ OBSOLETE PARTS: OBSOLETE CIS STREAMLINING PER D.RENAUD/D.SINISI

OBSOLETE ⚠	⚠	⚠	1,17,34 35,51,68	ALL OTHER PINS	36,67	5535657-5
	⚠	⚠	1,17,34 35,51,68	ALL OTHER PINS	36,67	5535657-4
	⚠	⚠	1,17,34 35,51,68	ALL OTHER PINS	36,67	5535657-3
	⚠	⚠	1,17,34 35,51,68	ALL OTHER PINS	36,67	5535657-2
	⚠	⚠	1,17,34 35,51,68	ALL OTHER PINS	36,67	5535657-1
PACKAGING	VOLTAGE KEYING & IDENTIFICATION	5.0 [.197]	4.25 [.167]	3.5 [.138]		PART NUMBER
			"L" (PIN LENGTH) AND LOCATION			

**COPYRIGHT 2005
 TE CONNECTIVITY CORP
 ALL RIGHTS RESERVED**

THIS DRAWING IS A CONTROLLED DOCUMENT. DWG: L.VARELA - DOCK5 03-28-05
 CHK: D.L. GORENC 03-28-05
 APP'D: M. WALMSLEY 03-28-05

STE TE Connectivity

PIN HEADER ASSY, 68 POSN, RAISED HT, TOP BD MTG, SURFACE MT, AMP MEMORY CARD

PRODUCT SPEC: APPLICATION SPEC: WEIGHT: 7.7 GRAMS
 SIZE: A1 CASE CODE: 00779 DRAWING NO: 5535657
 MATERIAL: FINISH: CUSTOMER DRAWING

SCALE: 4:1 SHEET 1 OF 1 REV A

Mouser Electronics

Authorized Distributor

Click to View Pricing, Inventory, Delivery & Lifecycle Information:

[TE Connectivity:](#)

[5535657-1](#)