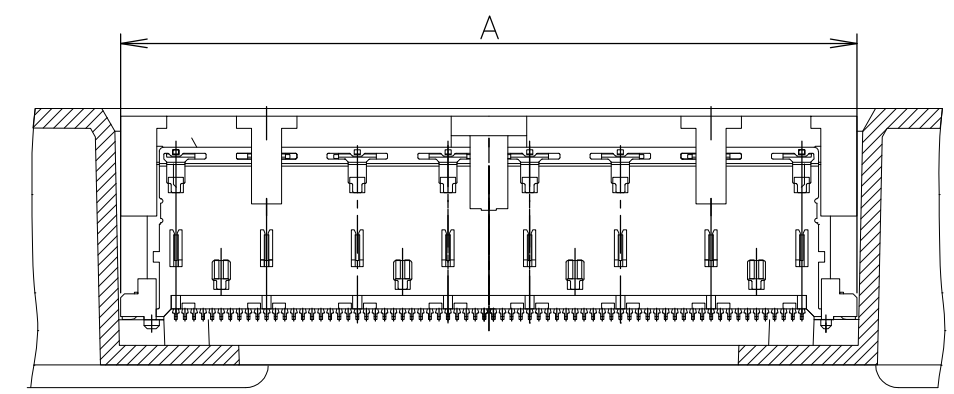
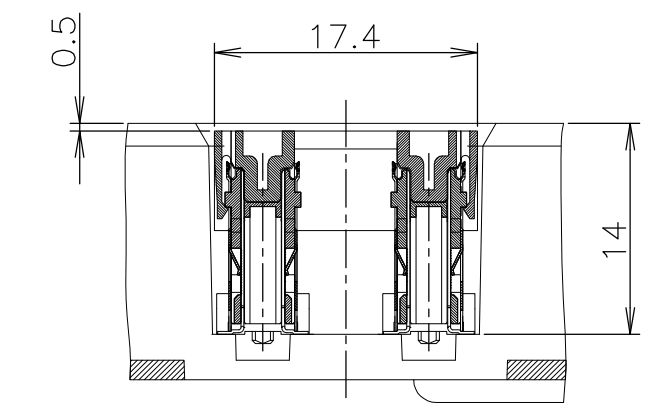
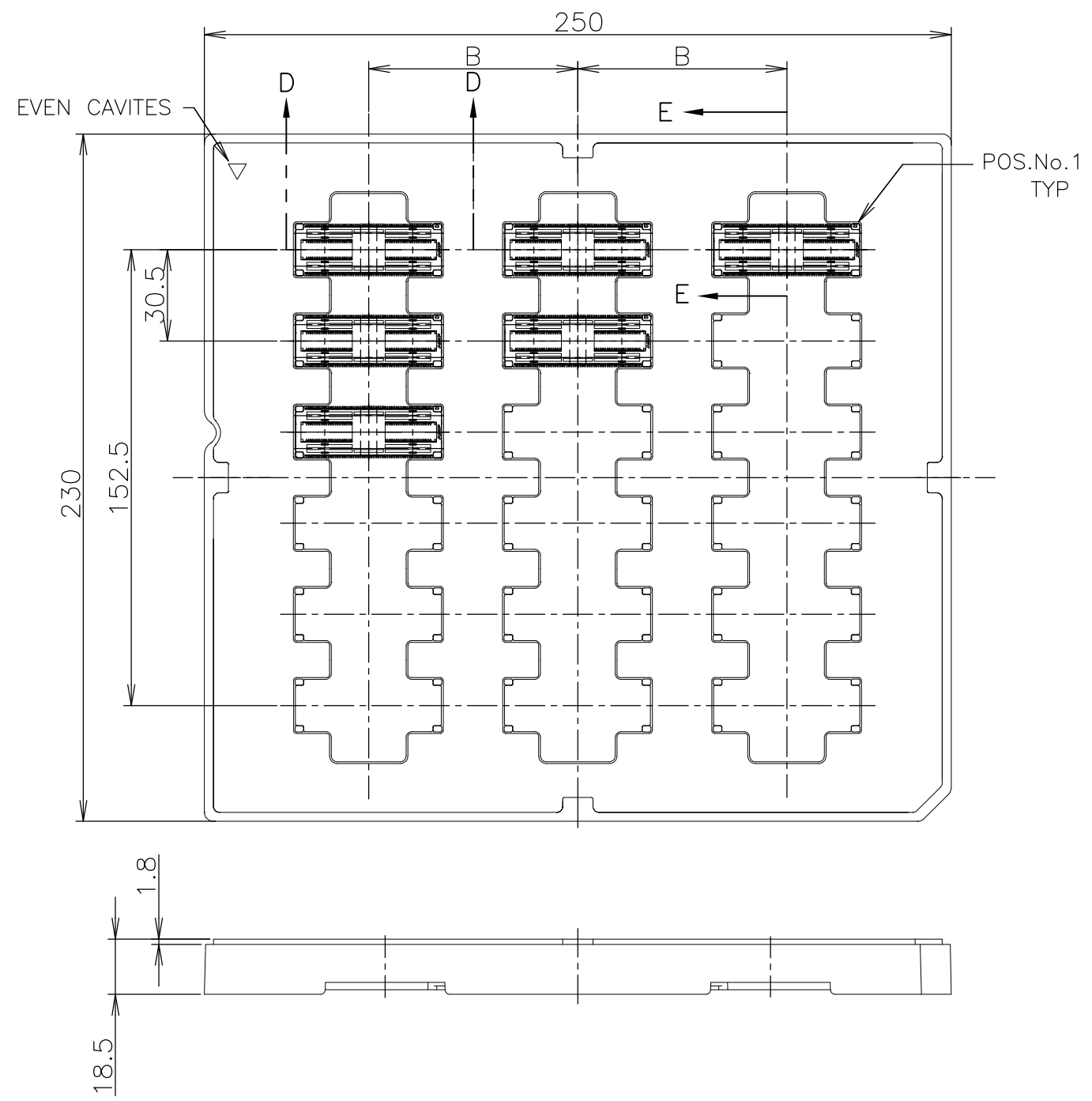


THIS DRAWING IS UNPUBLISHED. RELEASED FOR PUBLICATION JUL ,1997.
 © COPYRIGHT 1997 By - ALL RIGHTS RESERVED.

LOC	DIST	REVISIONS			DATE	DWN	APVD
J		P	LTR	DESCRIPTION			
		B		REVISED ECR-11-019335	20SEP2011	I.T	C.W



NON	AVAILABLE	△4	3	18	70	48.7	280	2-912071-1	2-6123098-0
NON	NOT AVAILABLE	△2	3	18	70	48.7	280	2-912071-1	1-6123098-0
SEALANT	TOOLING STATUS	FINISH	ROW	QTY	B	A	POS.	TRAY P/N	PART NO.

THIS DRAWING IS A CONTROLLED DOCUMENT.

DWN HAWKING HE 13DEC04	 TE Connectivity	NAME I.ENOMOTO 製品規格 108-60047 取付適用規格 114-5255	RESTRICTED TO				
CHK STEVEN YAO 13DEC04							
APVD I.ENOMOTO 13DEC04							
PRODUCT SPEC							
APPLICATION SPEC	HARD TRAY ASSY FH 0.6BTB CONNECTOR PLUG 12H W/G-PLATE 2ROW TYPE	SIZE A3	CAGE CODE 00779	DRAWING NO G-6123098			
MATERIAL	GENERAL TOLERANCE 一般公差 10≥:±0.2 30≥ >10:±0.25 100≥ >30:±0.3 ANGLES:±3°	DIMENSIONS: 単位: 耗 mm	TOLERANCES UNLESS OTHERWISE SPECIFIED: 一般公差 0 PLC ±- 1 PLC ±- 2 PLC ±- 3 PLC ±- 4 PLC ±- ANGLES ±-	FINISH 仕上	SCALE 尺度 1:2	SHEET 1 OF 2	REV B

CUSTOMER DRAWING

4

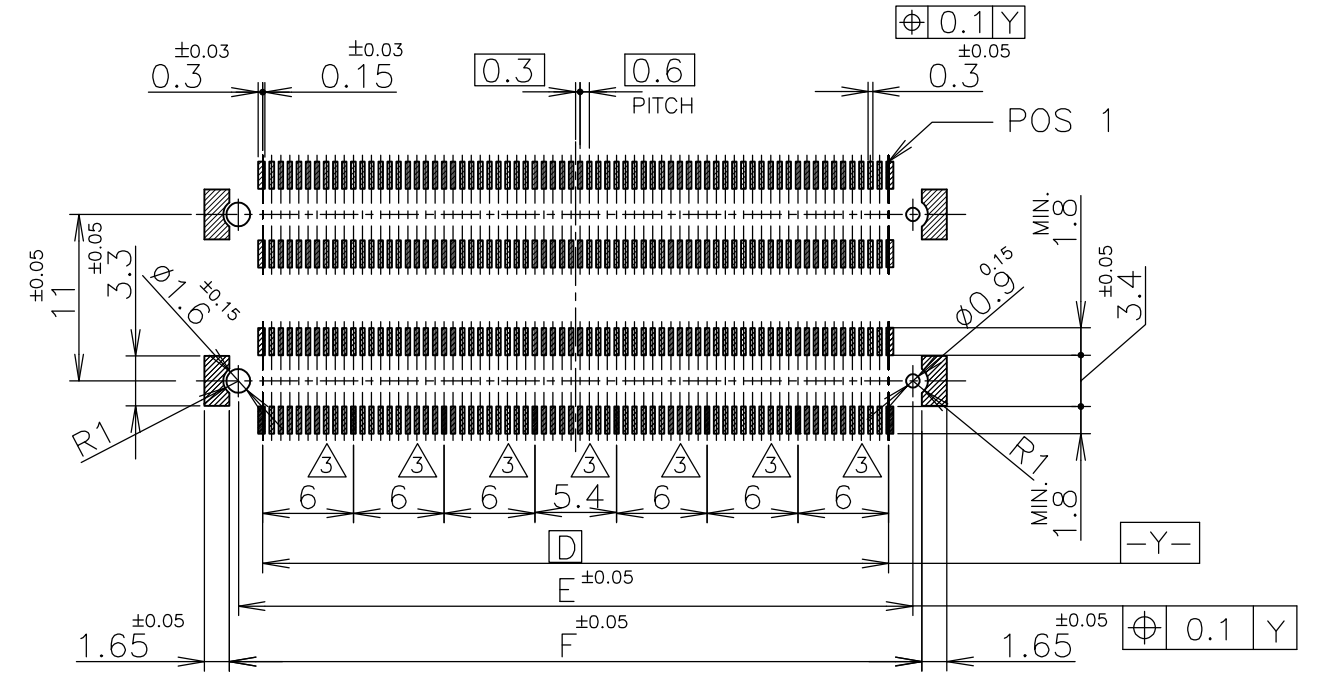
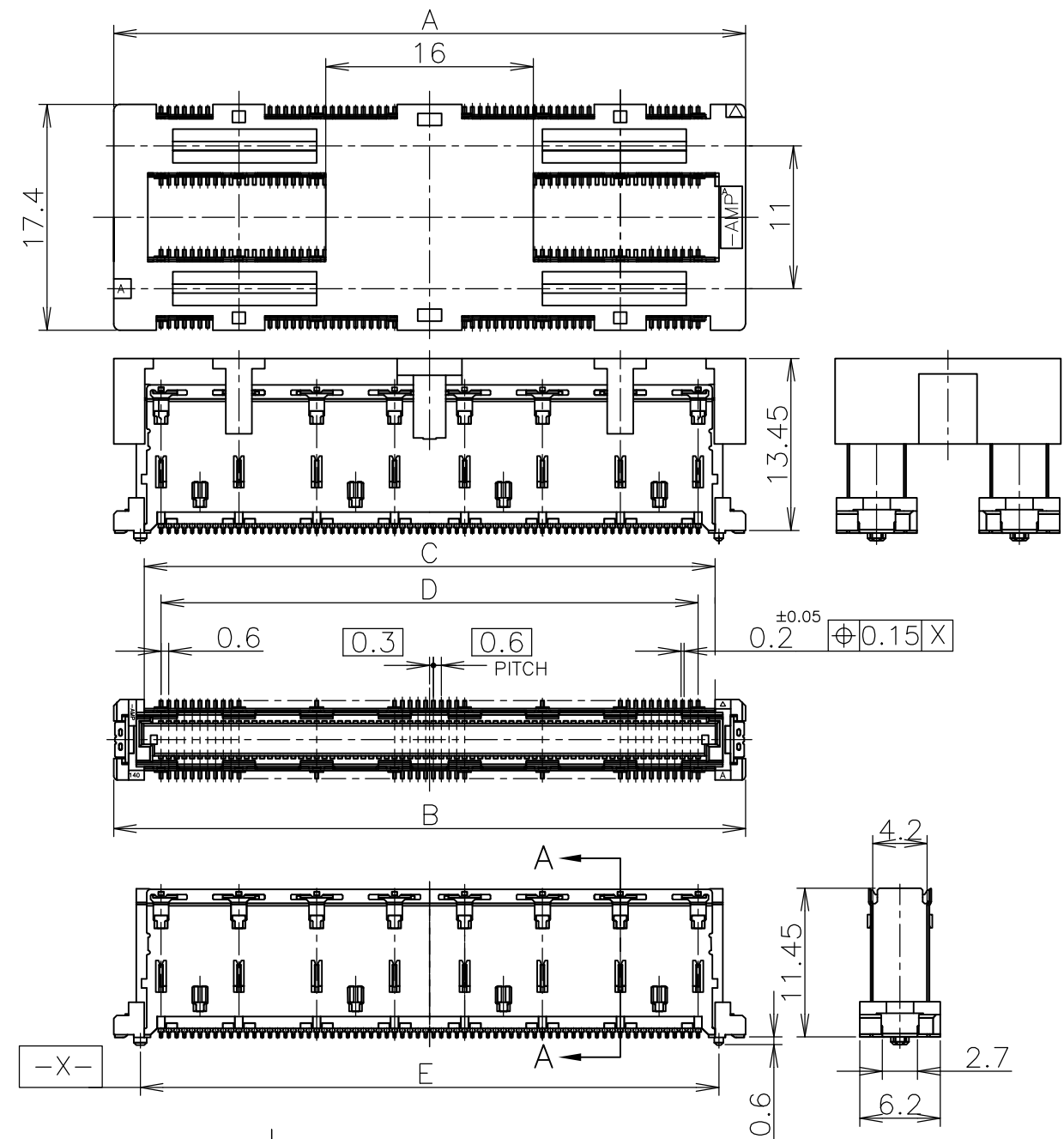
3

2

1

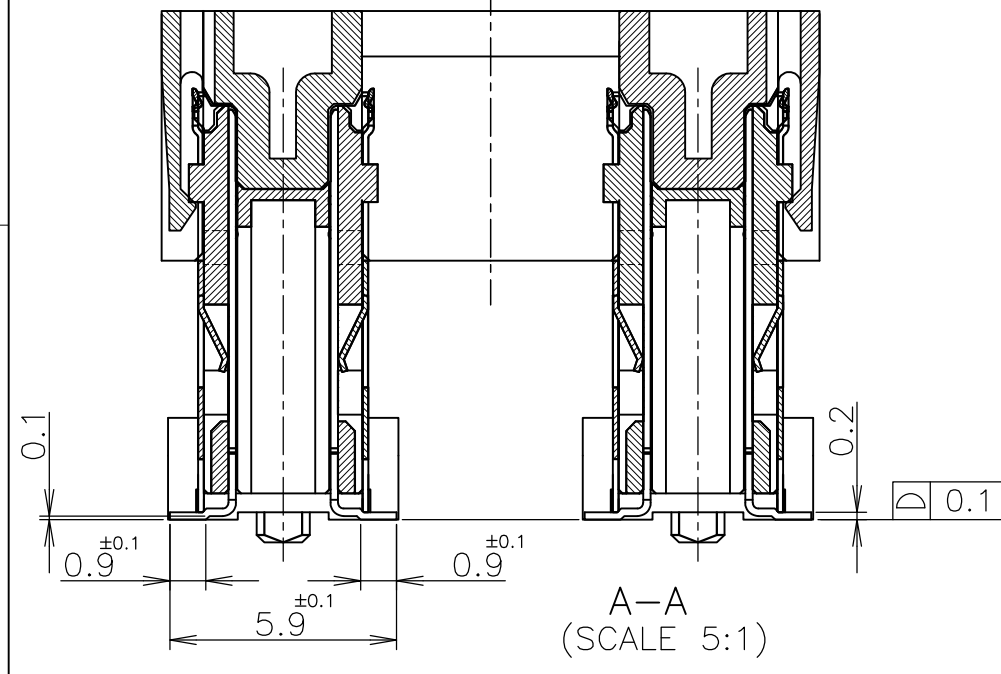
THIS DRAWING IS UNPUBLISHED. RELEASED FOR PUBLICATION JUL ,1997.
 © COPYRIGHT 1997 By - ALL RIGHTS RESERVED.

LOC	DIST	REVISIONS			DATE	DWN	APVD
J		P	LTR	DESCRIPTION			
		-		SEE SHEET 1	-	-	-



REFERENCE P.C.BOARD LAYOUT

- ① MATERIAL ; HOUSING : HIGH TEMP THERMO PLASTIC UL94V-0
CONTACT : COPPER ALLOY
- ② FINISH ; UNDER PL Ni 0.0013mm MIN ALL OVER.
CONTACT AREA 0.0002 MIN Au PL.
SOLDERING AREA 0.001 MIN TIN PL.
- ③ THIS POSITION IS GROUND CIRCUIT.
- ④ FINISH ; UNDER PL Ni 0.0013mm MIN ALL OVER.
CONTACT AREA 0.00076 MIN Au PL.
SOLDERING AREA 0.001 MIN TIN PL.



GENERAL TOLERANCE
一般公差

10 ≥	±0.2
30 ≥	>10:±0.25
100 ≥	>30:±0.3
ANGLES:±3°	

THIS DRAWING IS A CONTROLLED DOCUMENT.

DIMENSIONS: 単位: 耗 mm	TOLERANCES UNLESS OTHERWISE SPECIFIED: 一般公差
0 PLC ± -	1 PLC ± -
2 PLC ± -	3 PLC ± -
4 PLC ± -	ANGLES ± -
MATERIAL 材料	FINISH 仕上

DWN	CHK	APVD	PRODUCT SPEC 製品規格	APPLICATION SPEC 取付適用規格	WEIGHT	TE Connectivity		NAME 名称 HARD TRAY ASSY FH 0.6BTB CONNECTOR PLUG 12H W/G-PLATE 2ROW TYPE	
45.8	44.6	41.4	44	48.7	48.7	280	1-1123097-0		
F	E	D	C	B	A	POS	CAP P/N		
SIZE	CAGE CODE	DRAWING NO 番号	RESTRICTED TO		CUSTOMER DRAWING		SCALE 尺度	SHEET	REV
A3	00779	G-6123098					2:1	2 OF 2	B

Mouser Electronics

Authorized Distributor

Click to View Pricing, Inventory, Delivery & Lifecycle Information:

[TE Connectivity:](#)

[1-6123098-0](#)