

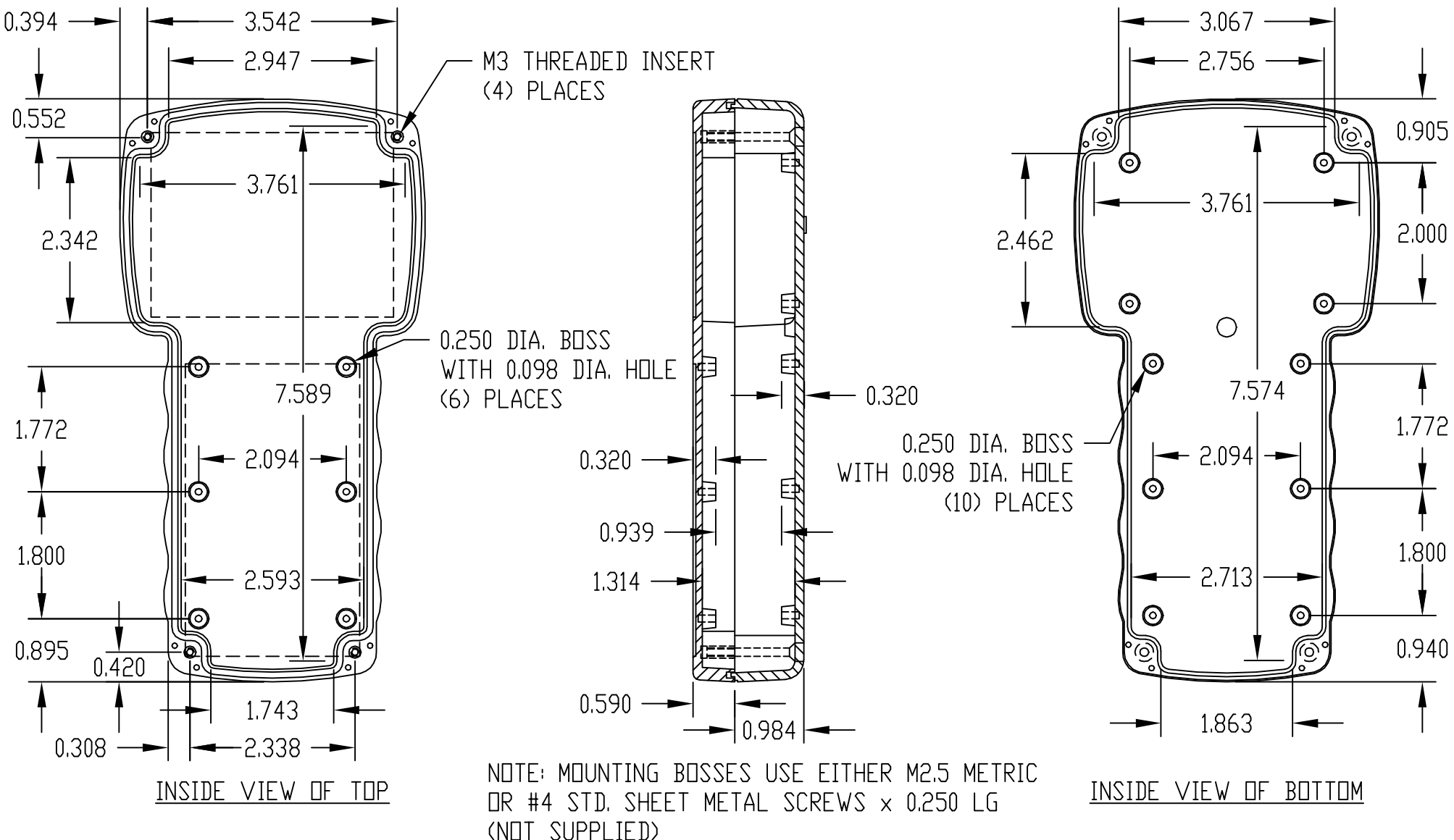
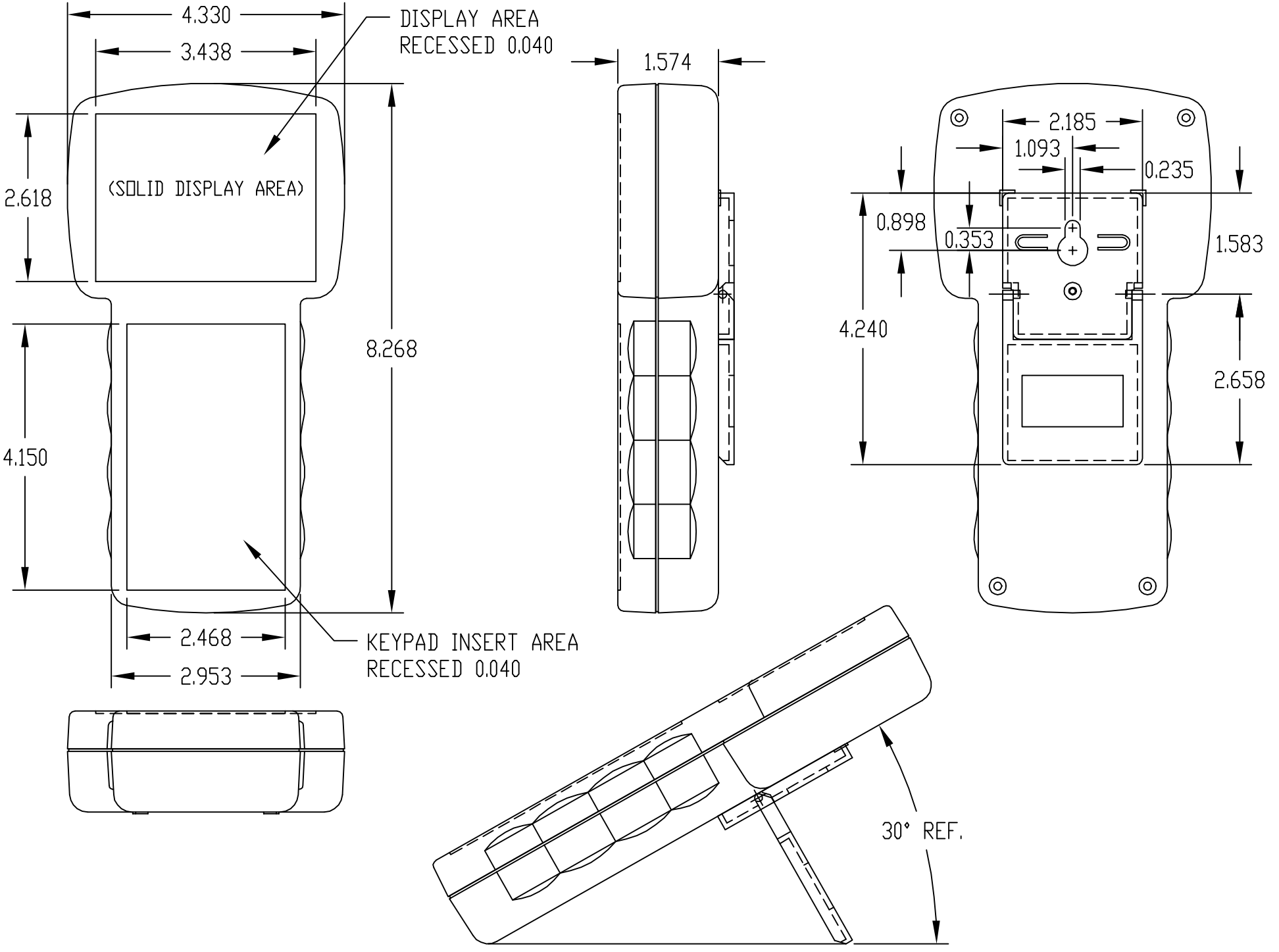
PART NAME	HAND HELD ENCLOSURE (STYLE G)	PART No.	HH-3496-B & HH-3496-G	REV. DATE	
-----------	-------------------------------	----------	-----------------------	-----------	--

MATERIAL:
HIGH-IMPACT ABS (FLAMMABILITY RATING OF UL94V-0)

FINISH:
(SUFFIX -B) _____ BLACK
(SUFFIX -G) _____ LIGHT GRAY

ALL DIMENSIONS HAVE ± 0.015 TOLERANCE.

FOUR (4) M3 x 1.173 LG. SCREWS SUPPLIED FOR ASSEMBLY.
ONE (1) M3 x 0.394 LG. SCREW SUPPLIED FOR TILT STAND.
WALL MOUNT/TILT STAND SUPPLIED UNASSEMBLED.
OPTIONAL ACCESSORIES: HH-3441-G GASKET



Mouser Electronics

Authorized Distributor

Click to View Pricing, Inventory, Delivery & Lifecycle Information:

[Bud Industries:](#)

[HH-3496-B](#) [HH-3496-G](#)