

THIS DRAWING IS UNPUBLISHED.

RELEASED FOR PUBLICATION

© COPYRIGHT - By -

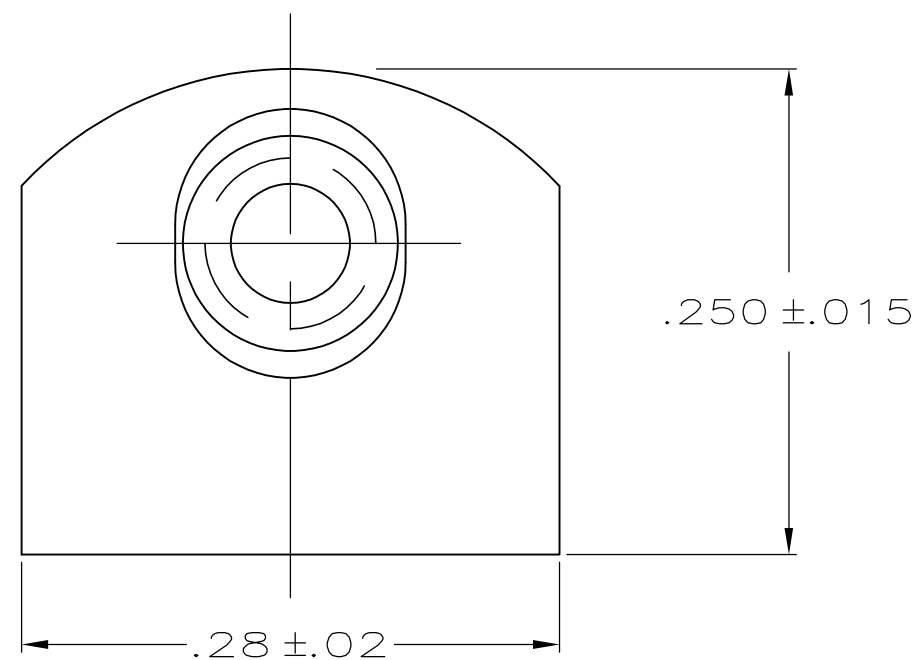
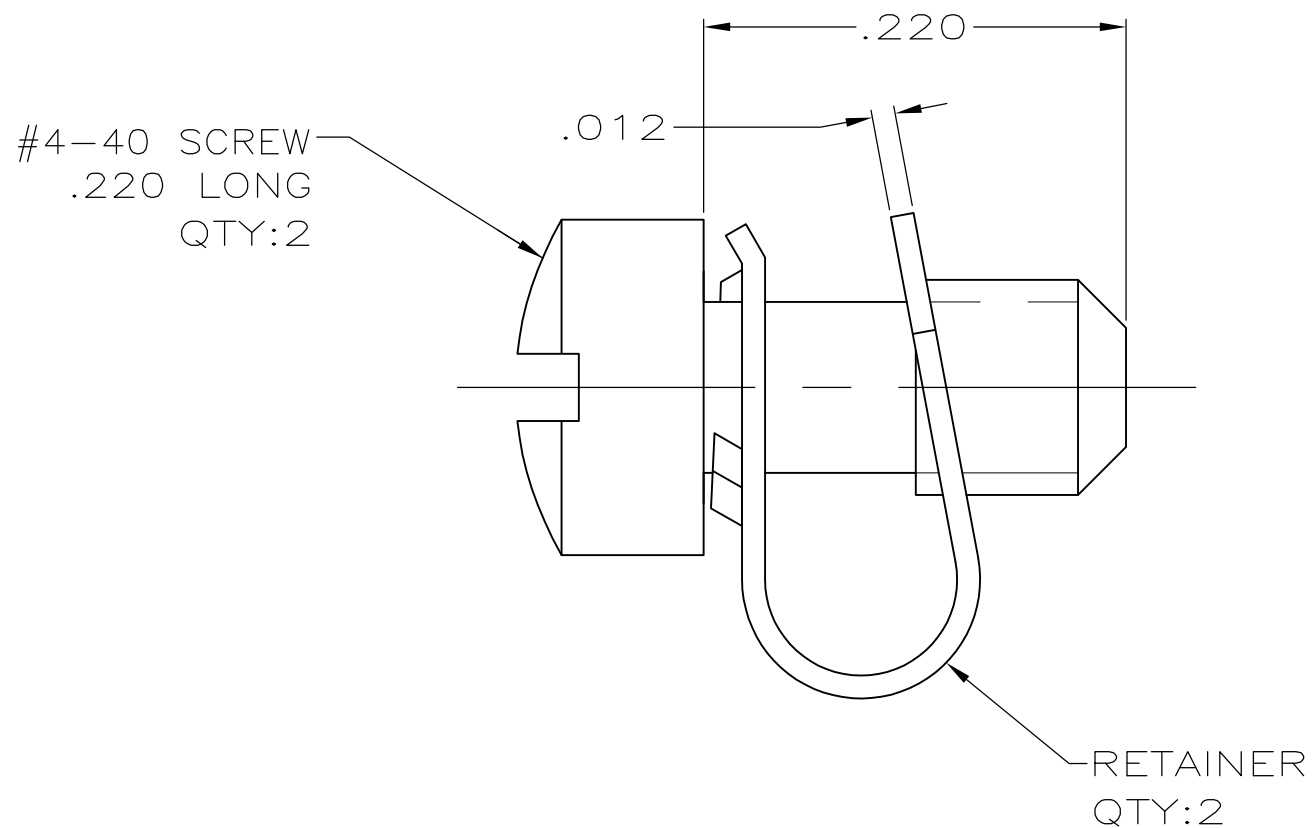
ALL RIGHTS RESERVED.

LOC
GP

DIST
00

REVISIONS

P	LTR	DESCRIPTION	DATE	DWN	APVD
	P	REVISED PER ECO-11-004835	11MAR11	RK	HMR



- 1. PARTS PACKAGED UNASSEMBLED.
- 2. ZINC PLATED .000200-.000400 THICK, YELLOW CHROMATE COATING.
- 3. STAINLESS STEEL.
- 4. PARTS PACKAGED AS A UNIT KIT.

5745647-1
PART NUMBER

THIS DRAWING IS A CONTROLLED DOCUMENT.		DWN S.WAITMAN 11JUL05	TE Connectivity		
DIMENSIONS: INCHES		CHK C.ROHDE 11JUL05			
		APVD M.WALMSLEY 11JUL05	NAME KIT, SCREW RETAINER, AMPLIMITE HDE		
TOLERANCES UNLESS OTHERWISE SPECIFIED:		PRODUCT SPEC	APPLICATION SPEC		
0 PLC ± - 1 PLC ± - 2 PLC ± - 3 PLC ± .010 4 PLC ± - ANGLES ± -		FINISH	SIZE A3	CAGE CODE 00779	DRAWING NO C-5745647
MATERIAL SCREWS: STEEL		SCREWS: 2	WEIGHT -	RESTRICTED TO -	
RETAINERS: 3		CUSTOMER DRAWING		SCALE 10:1	SHEET 1 OF 1
				REV P	

Mouser Electronics

Authorized Distributor

Click to View Pricing, Inventory, Delivery & Lifecycle Information:

[TE Connectivity:](#)

[5745647-1](#)