

MODEL: PD-30 | **DESCRIPTION:** POWER DIN JACK**FEATURES**

- 3 pin power DIN
- through hole
- suitable for high power applications

**SPECIFICATIONS**

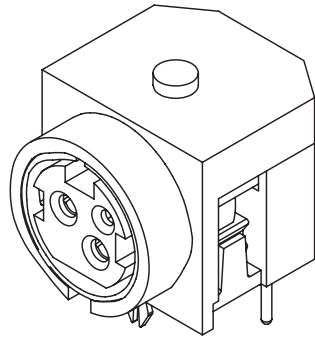
parameter	conditions/description	min	typ	max	units
rated input voltage			20		Vdc
rated input current	pin 1, 2 pin 3			7.5 1	A A
contact resistance				30	mΩ
insulation resistance	at 250 Vdc	50			MΩ
voltage withstand	for 1 minute			250	Vac
insertion force				45	N
withdrawal force		9		30	N
operating temperature		-20		85	°C
life			1,000		cycles
flammability rating	UL94V-0				
RoHS	yes				

SOLDERABILITY

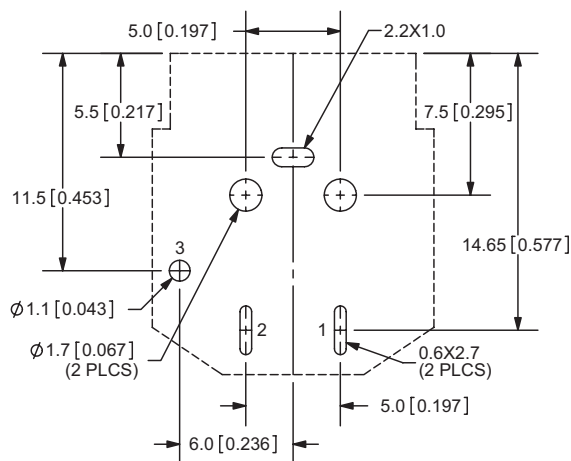
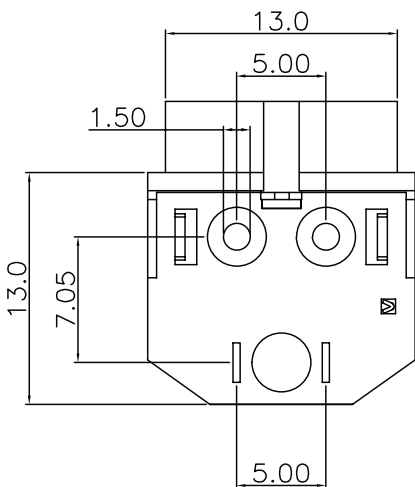
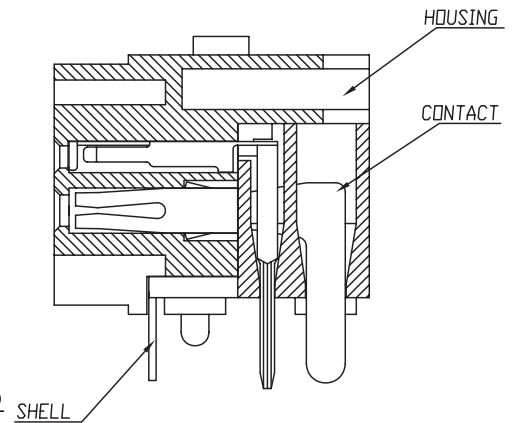
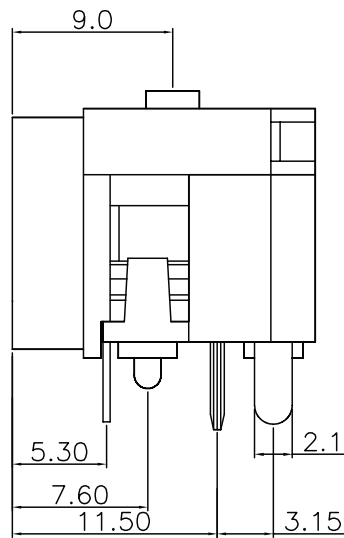
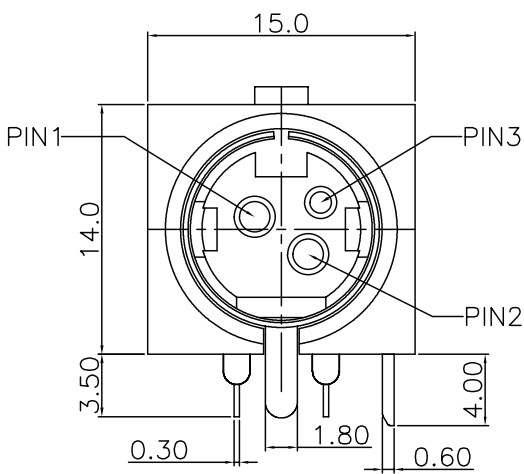
parameter	conditions/description	min	typ	max	units
wave soldering		230		250	°C

MECHANICAL DRAWING

units: mm
 tolerance:
 X.X ±0.20 mm
 X.XX ±0.15 mm
 X.XXX ±0.10 mm
 X.XXXX ±0.05 mm



	MATERIAL	PLATING
housing	PBT (UL94V-0)	
contact	phospor bronze	silver
ground	brass	nickel
shell	SPCC	tin



Recommended PCB Layout
 Top View

REVISION HISTORY

rev.	description	date
1.0	initial release	11/19/2008
1.01	update to tolerance	09/08/2009
1.02	updated housing, brand update	11/18/2019

The revision history provided is for informational purposes only and is believed to be accurate.

CUI DEVICES

CUI Devices offers a one (1) year limited warranty. Complete warranty information is listed on our website.

CUI Devices reserves the right to make changes to the product at any time without notice. Information provided by CUI Devices is believed to be accurate and reliable. However, no responsibility is assumed by CUI Devices for its use, nor for any infringements of patents or other rights of third parties which may result from its use.

CUI Devices products are not authorized or warranted for use as critical components in equipment that requires an extremely high level of reliability. A critical component is any component of a life support device or system whose failure to perform can be reasonably expected to cause the failure of the life support device or system, or to affect its safety or effectiveness.