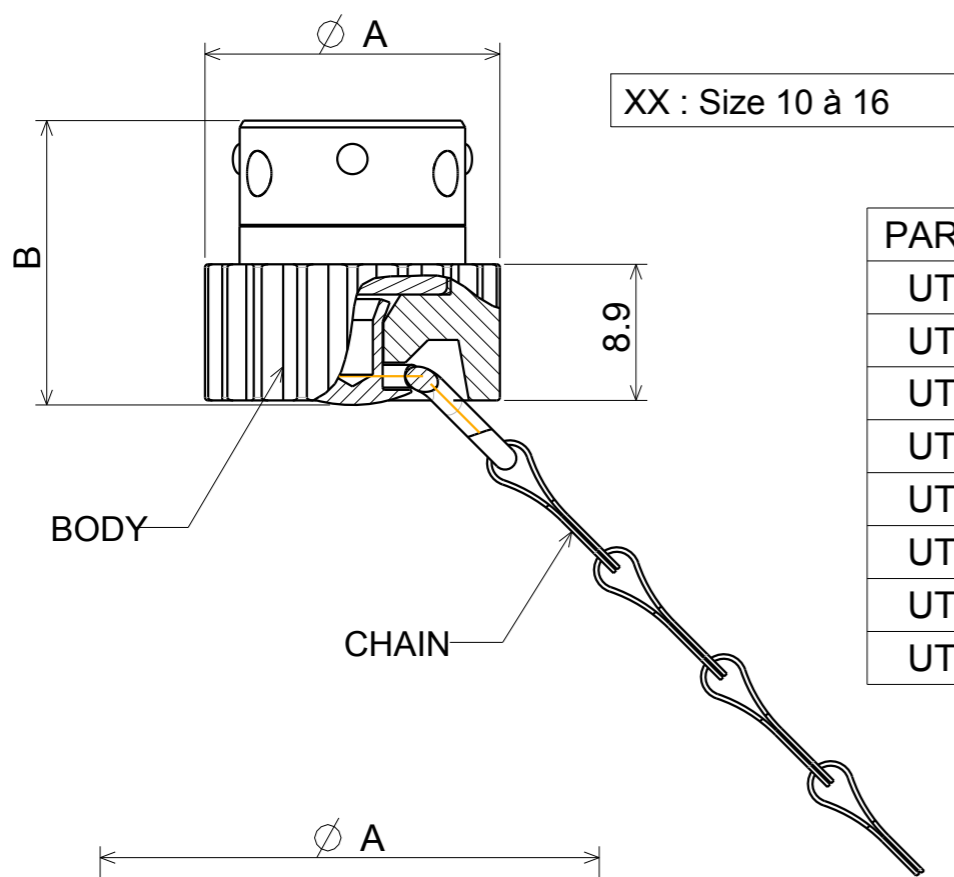


a; 0; RL

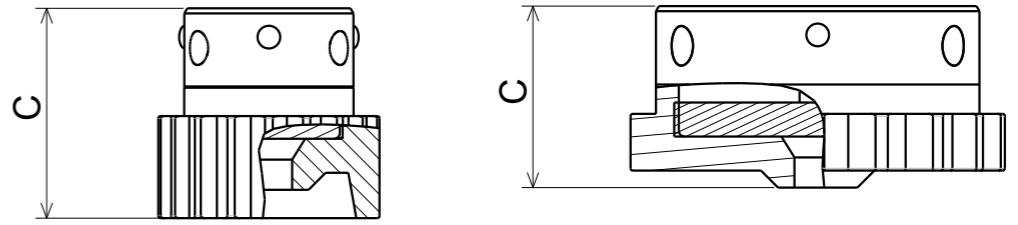
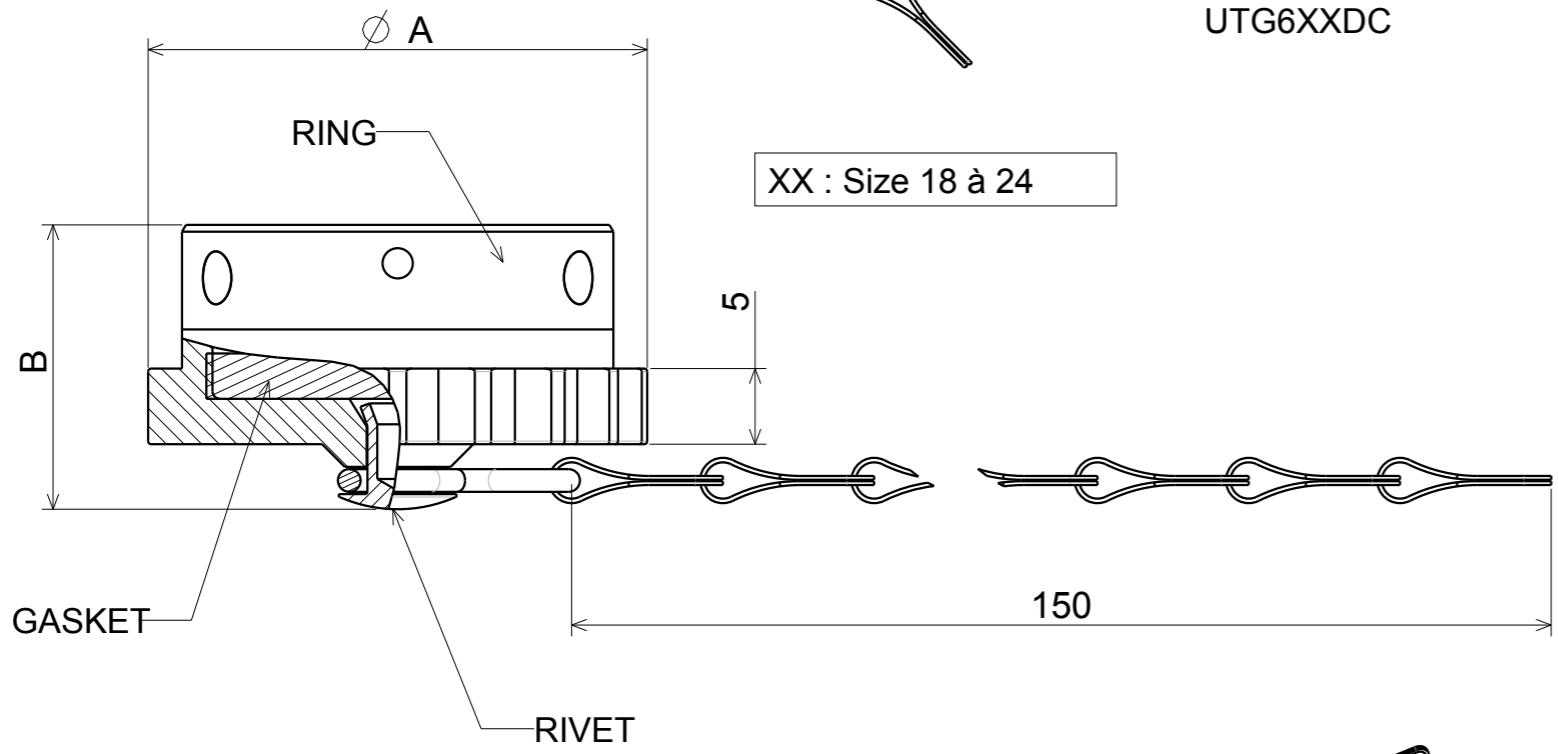


PART NUMBER	∅ A	B max	C
UTG610DCG	19.5	19	18.5
UTG612DCG	23.5	19	18.5
UTG614DCG	27	19	18.5
UTG616DCG	30	19	18.5
UTG618DCG	33	19	16
UTG620DCG	36.5	20.6	17.6
UTG622DCG	39.5	20.6	17.6
UTG624DCG	42.5	20.6	17.6

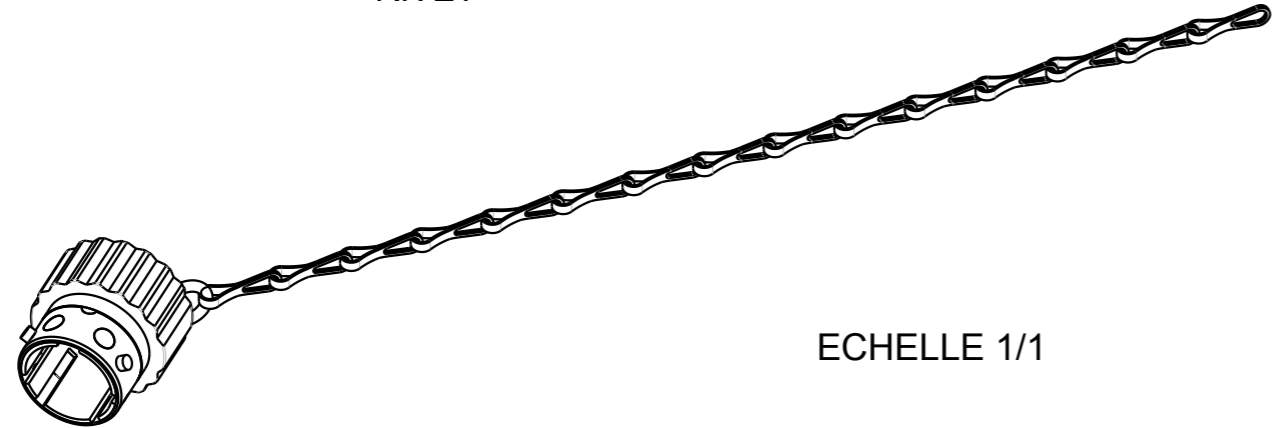
Or without chain  
UTG6XXDC

**MATERIAL:**  
 Body : Glass filled polyester  
 Ring : CuZn Alloy Ni plated  
 Gasket : Rubber elastomer  
 Chain : Brass Ni plated  
 Rivet : Brass Ni plated  
**NOTES :**  
 -Operating temperature : -40° up to +70°  
 -This cap is a water and dust protected version.  
 -Level sealing : IP65

**NOTE :**  
 - UTG6XXDCG : with chain  
 - UTG6XXDC : without chain



**P/N : UTG6XXDCG / UTG6XXDC**



ECHELLE 1/1

a	27/08/13	Creation of new drawing	
		Modification of cap design for size 10-12-14-16	--
ISS	DATE	Latest modification - by:	MOD N°
Designed by: <b>ROUILLARD</b>		Date: 27/08/13	<b>CUSTOMER DRAWING</b>
TITLE		CAP FOR PLUG UTG6**DCG / UTG6**DC	
Scale		General linear Tolerances: ± 0.3	NPRDS / PROJECT TRIMTRIO
2/1		This document is the property of SOURIAU It must not be reproduced or communicated without permission	
<b>SOURIAU</b>		<b>WWW.SOURIAU.COM</b>	
FORMAT	SOURIAU DRG N°		SHEET
<b>A3</b>	<b>UTG6XXDCG-C01</b>		1/1

NOT EXPORT CONTROLLED

# Mouser Electronics

Authorized Distributor

Click to View Pricing, Inventory, Delivery & Lifecycle Information:

[Souriau:](#)

[UTG610DCG](#) [UTG620DCG](#) [UTG612DCG](#) [UTG614DCG](#) [UTG616DCG](#) [UTG622DCG](#) [UTG624DCG](#) [UTG618DCG](#)