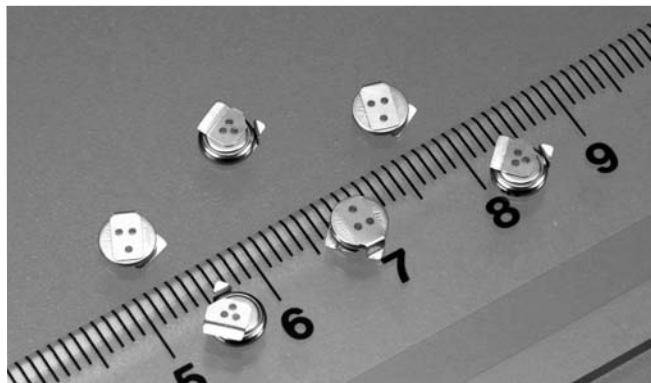


## XH414HG/ XH409HG (Under development)



The XH-HG is a capacitor with an excellent large current discharge characteristic at least 3 V, compared to its predecessor (XH414H). It is an environmentally friendly product that is reflow mounted by Pb-free soldering. It features high capacity, and long-term reliability, as well as a wide operating voltage range. It is thus suitable for backup power supply of clock and memory functions of mobile and information devices.

### FEATURES

- Pb-free reflowable:  
Superior heat resistance (260°C peak) allows reflow soldering by Pb-free solder
- Wide operating voltage range from 0V to 3.3V
- High capacity: 0.08F with "414" size
- Long Cycle Life:  
At least 10,000 times of charge/discharge
- Simple charging circuit (constant voltage charging)
- Wide operating temperature range:  
Operating temperature range: -20°C to +60°C

### APPLICATIONS

Backup power supply for memory and clock functions of cellphone, PHS, cordless phone, digital still camera, PDA, MD player, game machine, and printer, etc.

### SPECIFICATIONS

Type	Electrical Specifications (Normal Temperature) <sup>*1</sup>			Size		Weight (g)
	Maximum Use Voltage (V)	Capacitance (F)	Internal Impedance <sup>*2</sup> (Ω)	Diameter (mm)	Height (mm)	
XH414HG	3.3	0.08	100	4.8	1.4	0.06
XH409HG (under development)	3.3	(0.05)	(100)	4.8	0.9	0.05

\*1. Normal temperature: 23°C ± 3°C. Electrical characteristics and aging degradation of the products depend on temperature.

\*2. Value measured using AC (Alternating Current) method at the fully charged state.

#### <APPLICATION NOTES>

##### • Prohibition ripple charging

A ripple (high frequency fluctuation of voltage) in the charge voltage extremely lowers the capacitor performance. Be sure to charge capacitors with a stable voltage.

##### • Charge voltage

The age deterioration of the capacitor depends on the charge voltage. The age deterioration is accelerated as charge voltage goes higher.

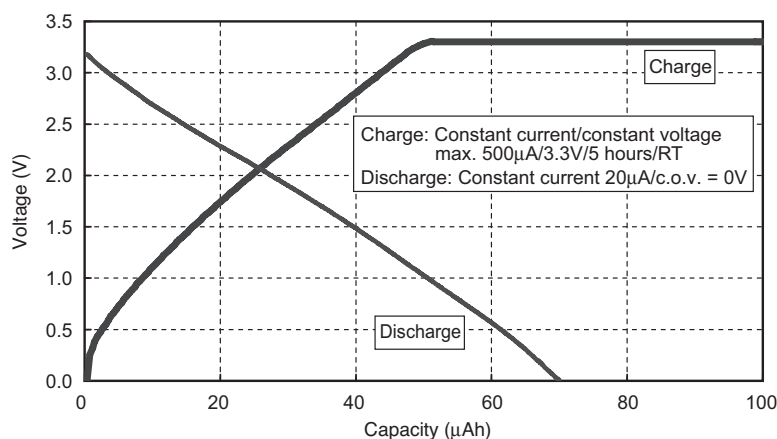
##### • Usage environment

Aging degradation of the capacitor varies depending on the usage environment (temperature and humidity). Contact us for further details.

### CHARACTERISTICS

#### Charge/discharge characteristics

##### XH414HG

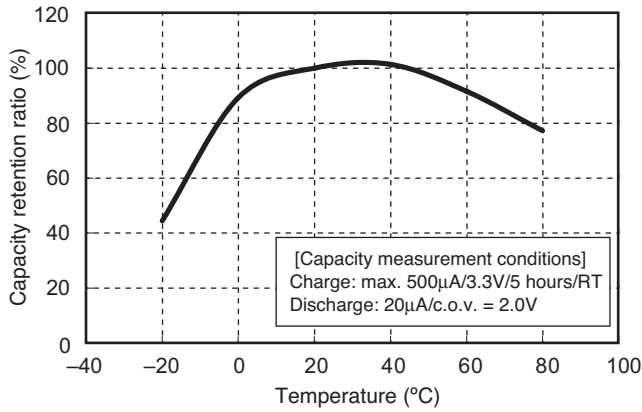


**CHARACTERISTICS**

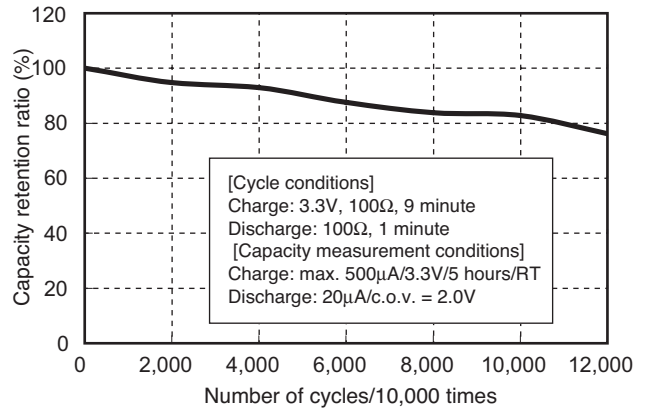
**Storage and other characteristics**

**XH414HG**

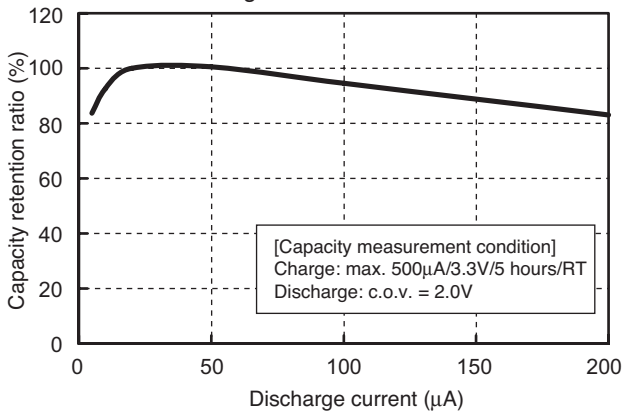
Temperature Characteristics



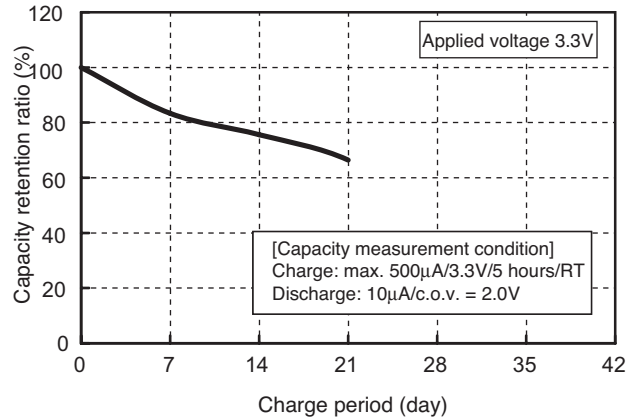
Charge/discharge Cycle Characteristics



Discharge Current Characteristics

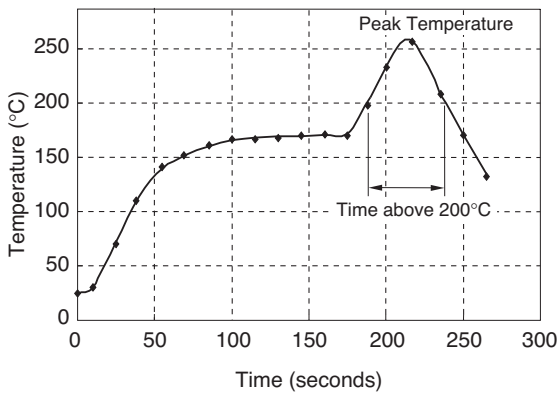


Floating Characteristics (70°C, 50%RH)



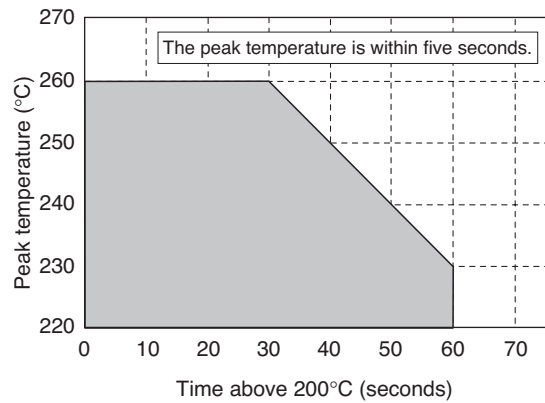
**REFLOW SOLDERING CONDITIONS**

Reflow Profile Example



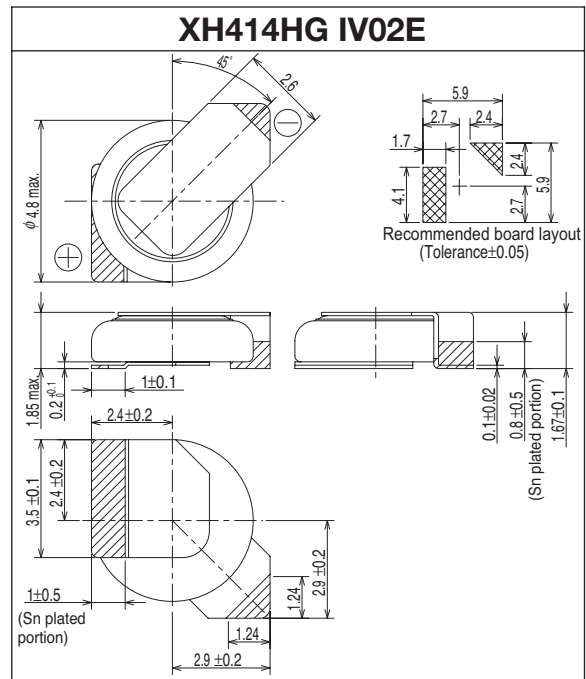
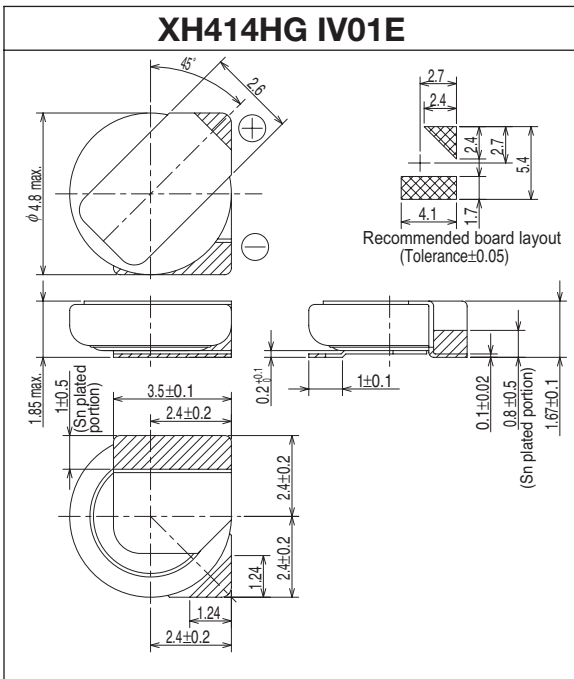
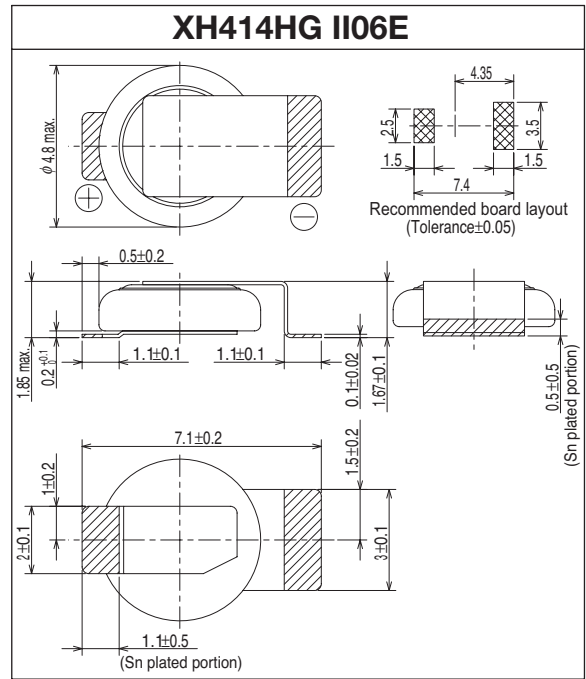
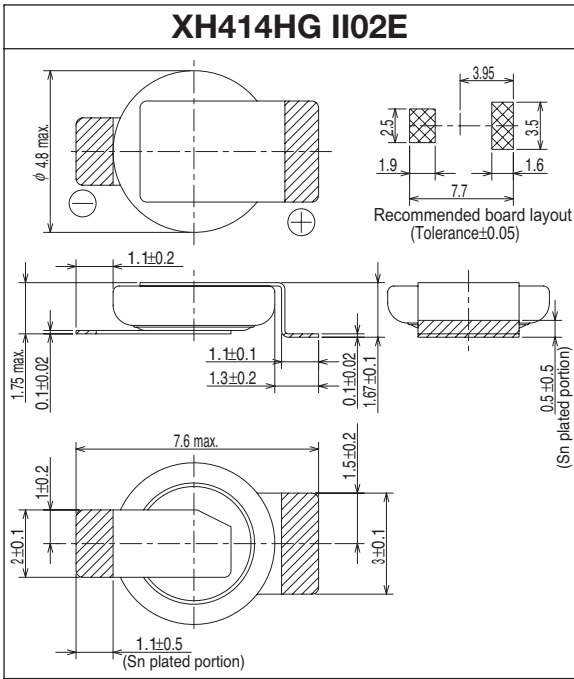
The times of repeated reflow soldering must be two times or less.  
The Temperature must be measured at top of the cell.

Recommended Reflow Condition



Max.260°C (within 5 seconds)

## STANDARD TERMINALS



- Contact Seiko Instruments Inc. for batteries with terminals other than the above shapes.
- Units: mm
- The hatched parts are tin plated (Sn: 100%).

# Mouser Electronics

Authorized Distributor

Click to View Pricing, Inventory, Delivery & Lifecycle Information:

[Seiko Instruments:](#)

[XH414HG-IV01E](#)