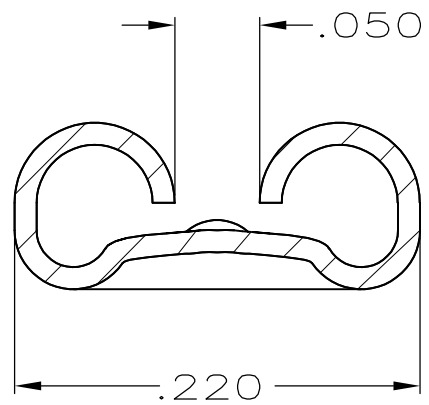
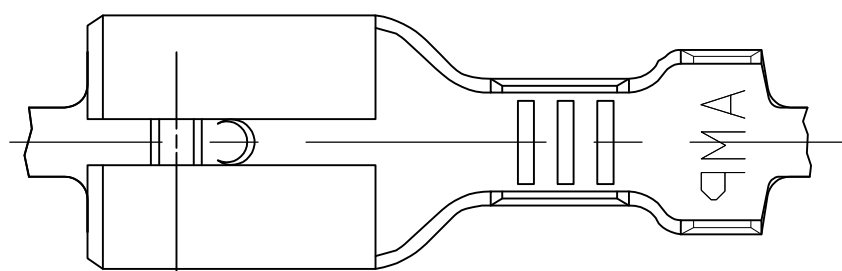


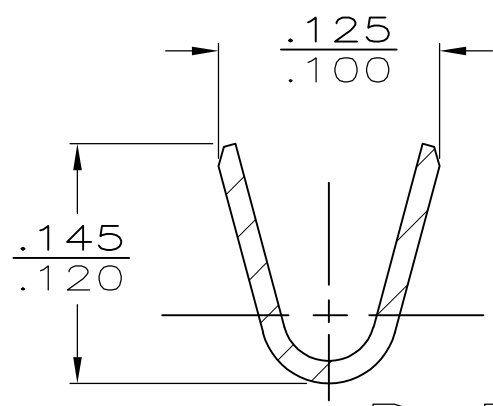
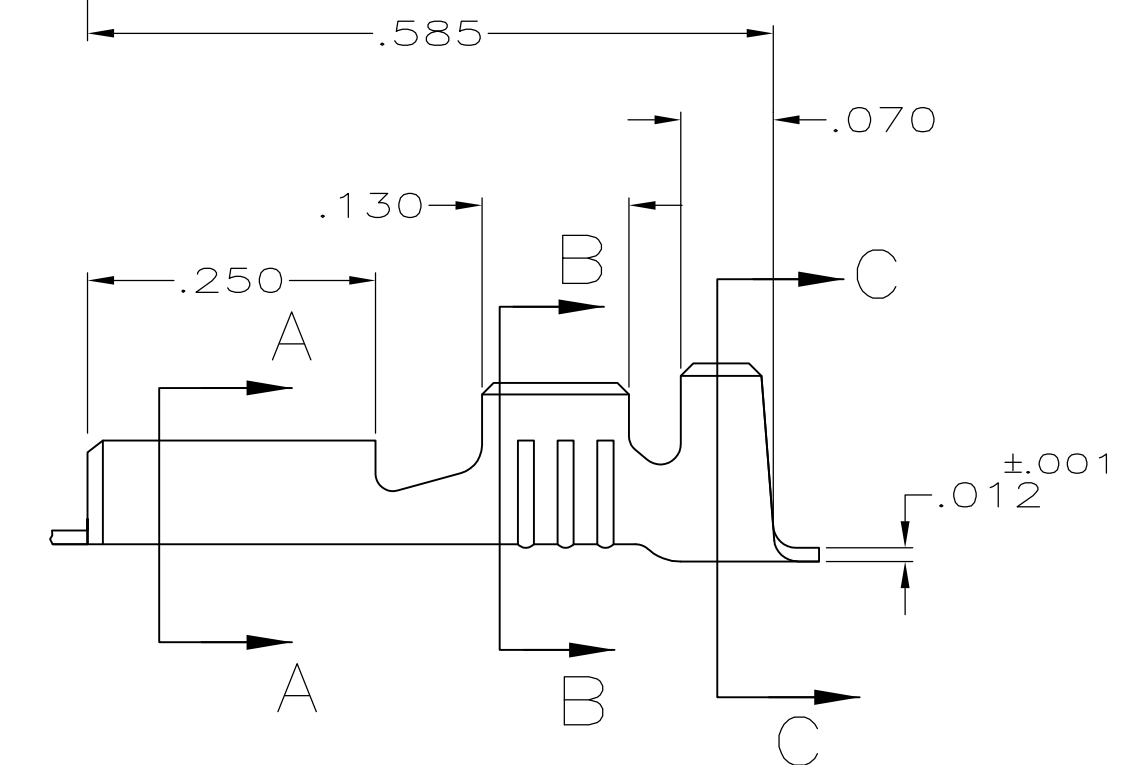
THIS DRAWING IS UNPUBLISHED. RELEASED FOR PUBLICATION
 © COPYRIGHT - By - ALL RIGHTS RESERVED.

LOC	DIST	REVISIONS			
P	LTR	DESCRIPTION	DATE	DWN	APVD
AF	50	U2	REV PER ECO 13-010686	27JUN13	JR PD

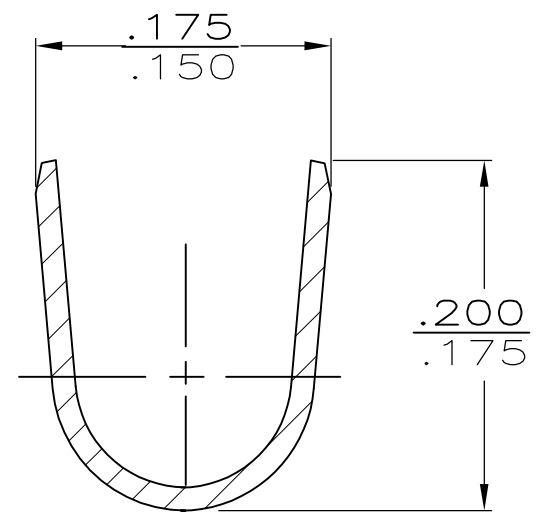
- CONTINUOUS STRIP ON REELS
- MATING TAB THK IS $.020 \pm .001$
- WIRE SIZE IS #20-#16 AWG
- INSULATION RANGE IS $.090 - .130$ DIA



SECTION A-A
SCALE 8:1



SECTION B-B
SCALE 8:1



SECTION C-C
SCALE 8:1

FINISH	MATERIAL	PART NO.
OBSOLETE TIN	#4H PH BRZ	42617-4
OBSOLETE -		42617-3
TIN	BRASS	42617-2
-		42617-1

THIS DRAWING IS A CONTROLLED DOCUMENT.		DWN	JR RUTH	10/27/89	 TE Connectivity												
DIMENSIONS: INCHES		CHK	MS FEHER	10/27/89													
TOLERANCES UNLESS OTHERWISE SPECIFIED:		APVD	C MEYERS	10/27/89													
<table border="0"> <tr><td>0 PLC</td><td>± -</td></tr> <tr><td>1 PLC</td><td>± -</td></tr> <tr><td>2 PLC</td><td>± -</td></tr> <tr><td>3 PLC</td><td>± .015</td></tr> <tr><td>4 PLC</td><td>± -</td></tr> <tr><td>ANGLES</td><td>± -</td></tr> </table>		0 PLC	± -	1 PLC		± -	2 PLC	± -	3 PLC	± .015	4 PLC	± -	ANGLES	± -	PRODUCT SPEC		NAME
0 PLC	± -																
1 PLC	± -																
2 PLC	± -																
3 PLC	± .015																
4 PLC	± -																
ANGLES	± -																
MATERIAL	SEE TABLE	FINISH	SEE TABLE	WEIGHT	-												
CUSTOMER DRAWING		SIZE	A3	CAGE CODE	00779												
		DRAWING NO	C-42617		RESTRICTED TO	-											
		SCALE	6:1	SHEET	1 OF 1	REV	U2										