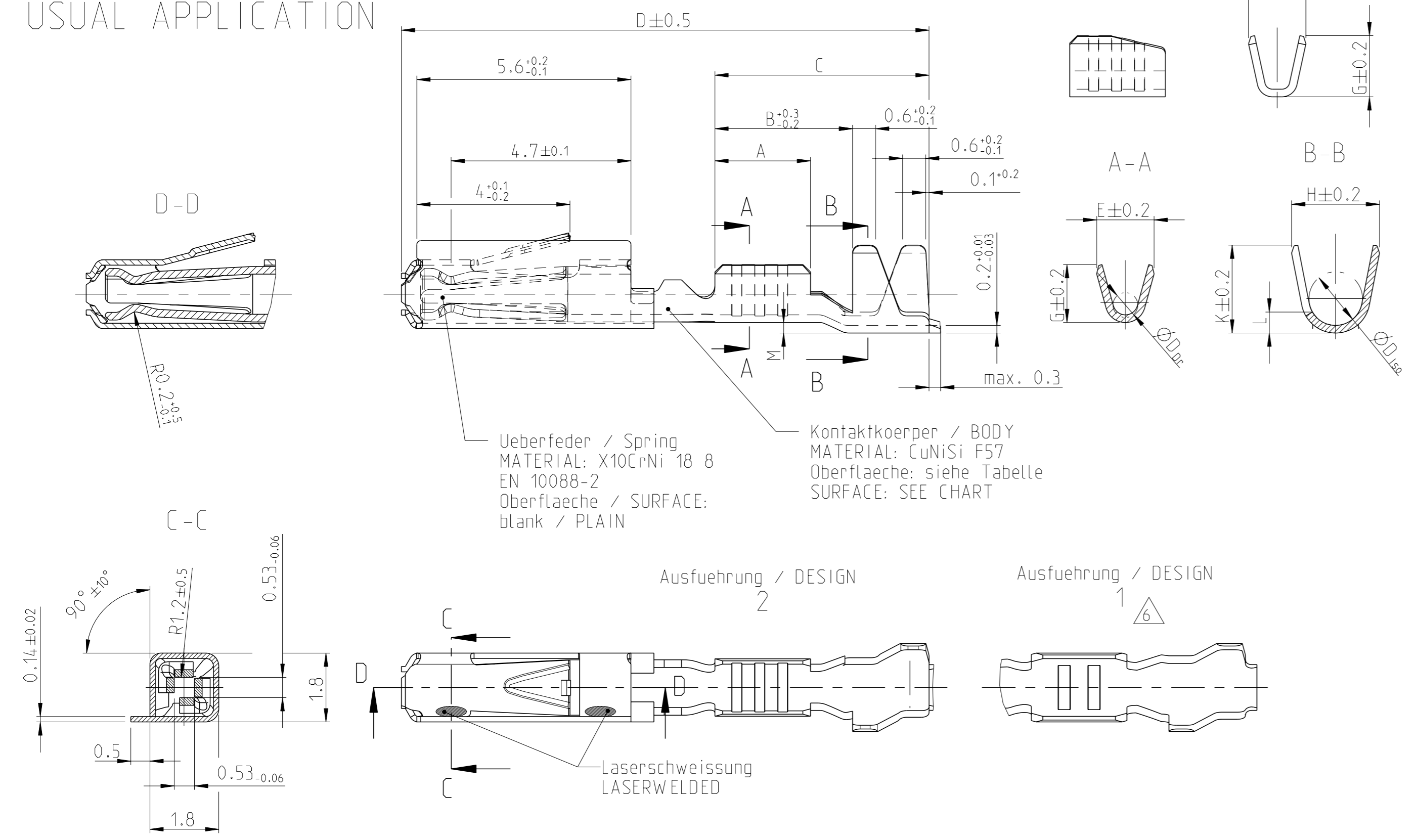
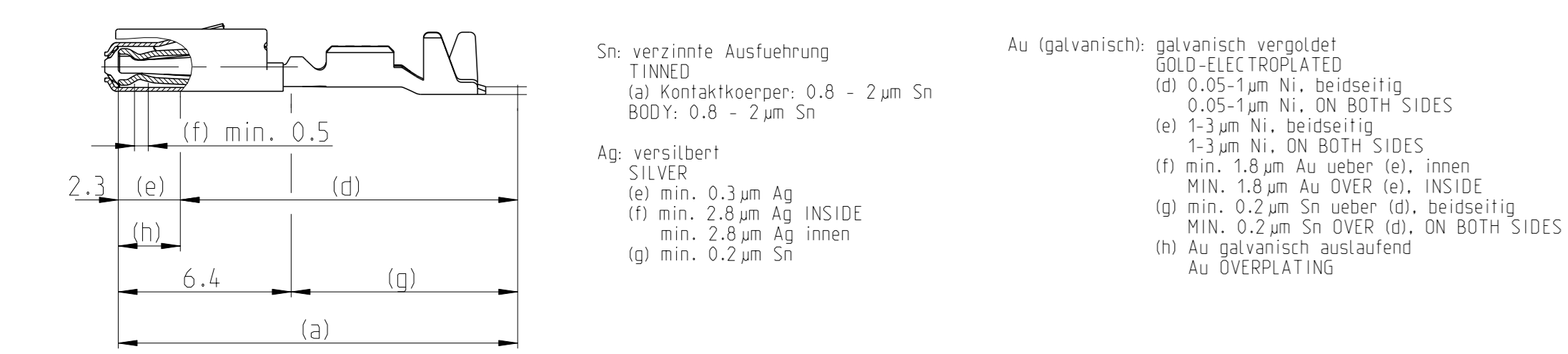


Normale Anwendung USUAL APPLICATION



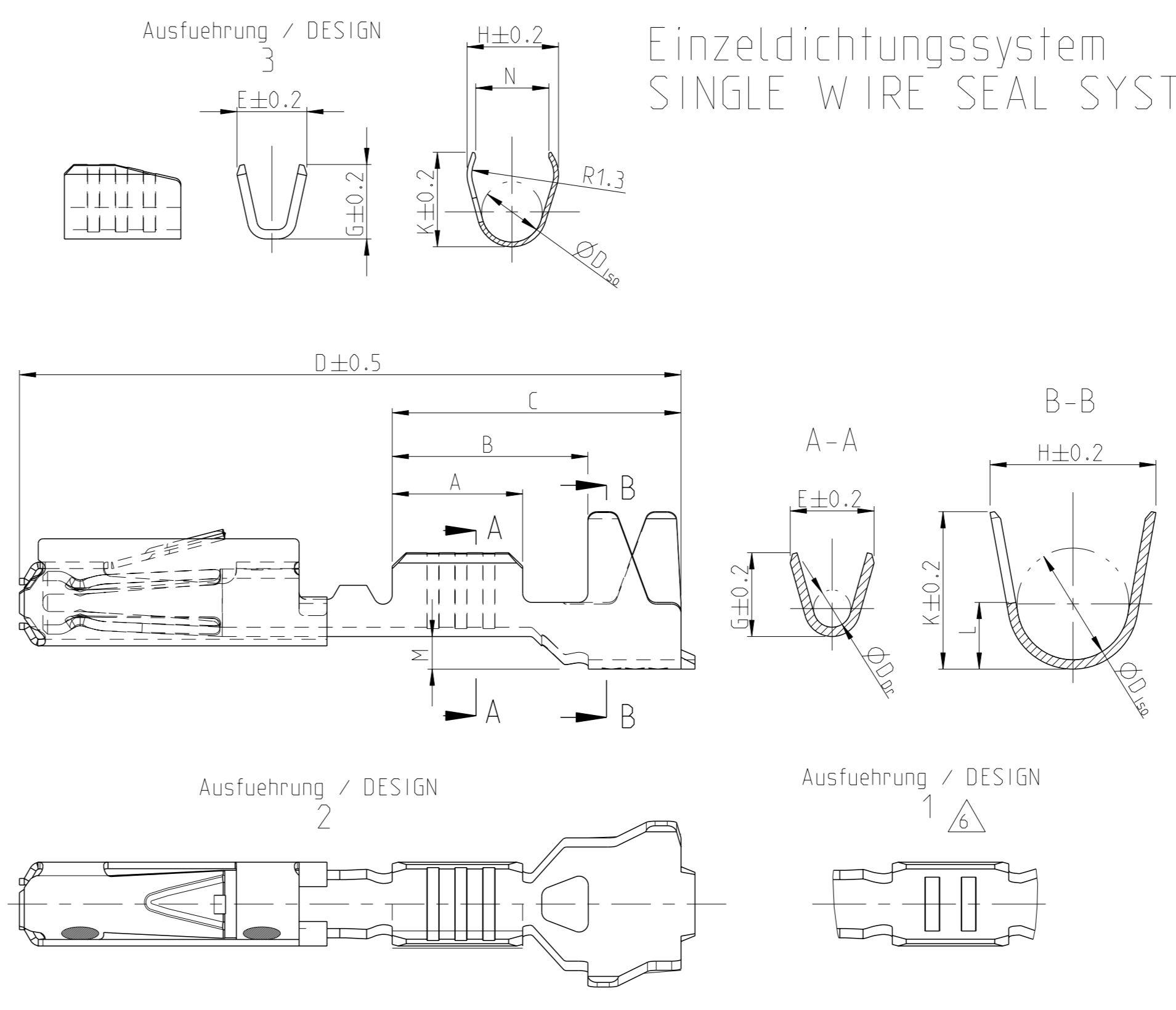
Oberflaeche / FINISH



Part No.	Material	Version	Wire Size Range	Surface	Length	Wire Crimp	Insulation	Weight	Notes
6-965906-5	Au+Gel	1-965906-5	0.50-0.75	Au	A = 2.8, B = 4.2, C = 6.2, D = 14.3, M = 0.7	F = 2, G = 2.1, D _{Dr} = 1	H = 3.5, K = 3.4, L = 1.5, D _{Iso} = 2.4	0.13	967067-1 (gruen GREEN)
5-965906-6	Ag	965906-6	0.50-0.75	Ag	A = 2.5, B = 3.9, C = 5.9, D = 14, M = 0.7	F = 1.8, G = 1.8, D _{Dr} = 0.8	H = 3.5, K = 3.4, L = 1.5, D _{Iso} = 2.4	0.13	967067-2 (gelb YELLOW)
5-965906-5	Au	965906-5	0.50-0.75	Au	A = 2.5, B = 4.3, C = 6.2, D = 13.7, M = 0.6	F = 1.5, G = 1.4	H = 4, K = 4.1, N = 3.1, D _{Iso} = 2.6	0.1	967067-2 (gelb YELLOW)
5-965906-1	Sn	965906-1	0.50-0.75	Sn	A = 2.8, B = 3.8, C = 5.6, D = 13.7, M = 0.2	F = 2, G = 2.1, D _{Dr} = 1	H = 2.7, K = 2.9, L = 0.7, D _{Iso} = 1.6	0.11	967056-1 (blau / BLUE)
5-962885-6	Ag	962885-6	0.25-0.35	Ag	A = 2.5, B = 3.6, C = 5.6, D = 13.7, M = 0.2	F = 1.8, G = 1.8, D _{Dr} = 0.8	H = 2.3, K = 2.3, L = 0.6, D _{Iso} = 1.4	0.11	963142-2 (grau GREY)
5-962885-5	Au	962885-5	0.25-0.35	Au	A = 2.5, B = 3.7, C = 5.4, D = 13.7, M = 0	F = 1.5, G = 1.4	H = 2, K = 1.9, D _{Iso} = 1.1	0.1	963142-2 (grau GREY)
5-962885-1	Sn	962885-1	0.25-0.35	Sn	A = 2.5, B = 3.7, C = 5.4, D = 13.7, M = 0	F = 1.5, G = 1.5, D _{Dr} = 0.65	H = 2, K = 2, D _{Iso} = 1.1	0.1	963142-2 (grau GREY)

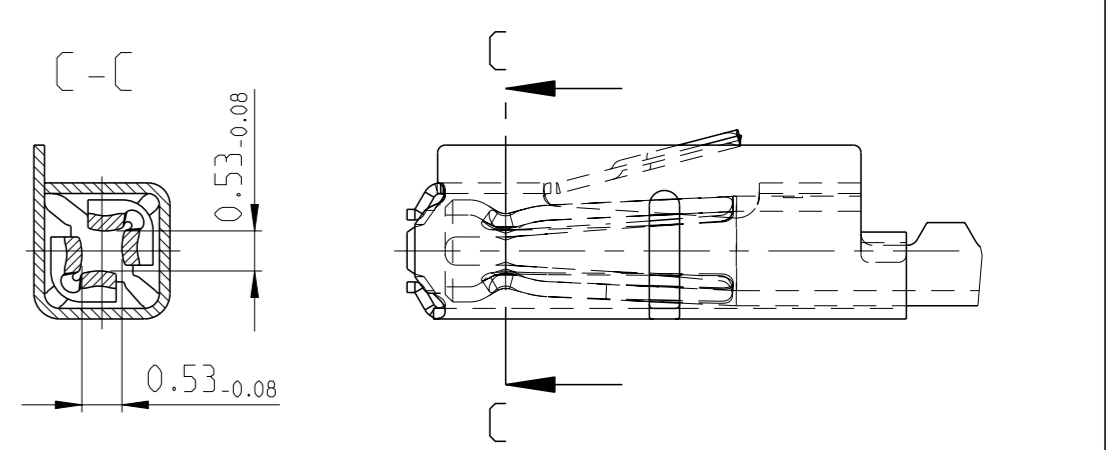
Bestell-Nr. / ORDER NO. DESIGN	Bestell-Nr. / ORDER NO. DESIGN	Rev	Bestell-Nr. / ORDER NO. DESIGN	Rev	VERSION	DGB Wire Size Range mm ²	Oberflaeche SURFACE	Laenge LENGTH mm	Drahtcrimp WIRE CRIMP mm	Iso-crimp INSU-CRIMP mm	Gewicht WEIGHT g	Verarbeitung / APPLICATION SPEC.	DGB Wire Size Range mm ²	Isolations INSULATION DIA. mm	fuer Kammer FOR CAVITY DIA. 3.45 mm	Blindstopfen RUBBER PLUG	fuer Kammer FOR CAVITY DIA. 4 mm	Blindstopfen RUBBER PLUG
2	3		1		Einzelichtungssystem SINGLE WIRE SEAL SYSTEM	0.50-0.75	Au+Gel	2.8-14.3	2-0.7	3.5-2.4	0.13	114-18025	0.75	1.4-1.9	967067-1	963142-1	967056-1	963142-2
					normale Anwendung USUAL APPLICATION	0.25-0.35	Au+Gel	2.5-14	1.8-0.7	3.5-2.4	0.13	114-18021	0.35	0.9-1.4	967067-2	963142-2	967056-1	963142-2
						0.13 / 0.17	Ag	2.5-13.7	1.5-0.6	4-2.6	0.1		0.13	0.85-1.25	967067-2	963142-2		963142-2
						0.08-0.22	Au	2.5-13.7	1.5-0	2-1.1	0.1		0.08-0.22					

Einzelichtungssystem SINGLE WIRE SEAL SYSTEM

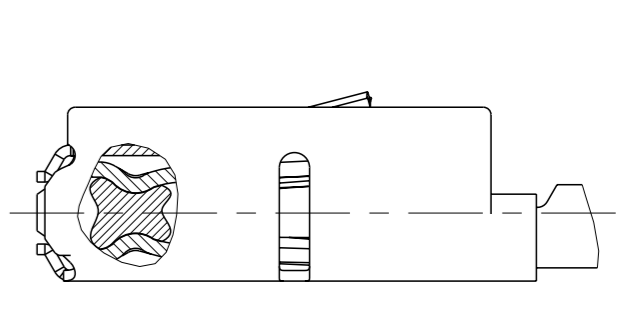


REV	DATE	DESCRIPTION	BY	CHK
C15	31MAY2016	DIM. (h) ADDED. ECR-16-007815	ABR	BRUN
C16	04AUG2016	Stamp code faded out	MAH	BRUN
C17	23AUG2016	Date code removed. ECR-16-012067	ABR	BRUN
C18	21NOV2017	Text for NOTE 5 removed	MAH	BRUN

vergoldete Ausfuehrung GOLD VERSION

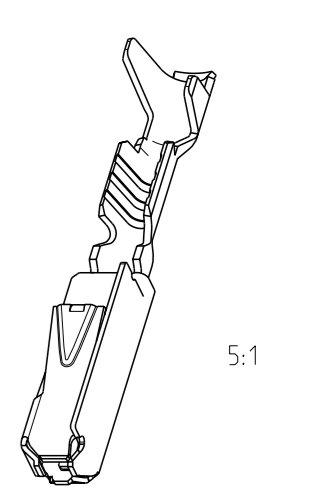
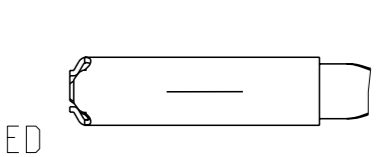


GEL VERSION



- Bemerkungen
- Datumscode (Woche/Jahr z.B. KW 38/Jahr2009) und TE-Revision (z.B. Rev.A) DATE CODE (WEEK/YEAR E.G. WEEK NUMBER 38/YEAR2009) AND TE REVISION (E.G. REV. A)
 - Passend zu Stiftkontakt siehe Zeichnung 929453 SUITABLE FOR PIN CONTACT SEE DRAWING 929453
 - Einzelheiten der Ausfuehrung bleiben dem Hersteller ueberlassen DETAILS OF DESIGN ARE LEFT TO MANUFACTURER
 - Nur fuer FLR-Leitung nach DIN 72551 Teil 6 FOR FLR-CONDUCTOR ACCORDING TO DIN 72551-6 ONLY

- 5 -
- 6 nicht fuer Neuanwendung NOT FOR NEW APPLICATION
- 7 zuguerstaeckte Leitung nach LV 112-4 REINFORCED WIRE ACCORDING LV 112-4
- 8 Bei doppelt fallenden Werkzeugen wird die erste Ueberfeder mit einer Kennzeichnung "-" versehen WITH DOUBLE OUT DIES THE FIRST SPRING WILL BE PROVIDED WITH AN INDICATION "-"



THIS DRAWING IS A CONTROLLED DOCUMENT.		OWN: S.Garcia 05JAN1999	TE Connectivity	
DIMENSIONS: mm		CHK: R.Jetter 05JAN1999	NAME: MOS	
TOLERANCES UNLESS OTHERWISE SPECIFIED: ±0.2		APPV: M.Bleicher 13AUG2003	TABLETTEICHNUNG Buchsenkontakt TABLE SOCKET CONTACT	
MATERIAL: -		114-18030 APPLICATION SPEC	SIZE: 114-18021 / 114-18025	RESTRICTED TO: -
FINISH: -		WEIGHT: -	A1 00779 ©=929454	SCALE: 10:1 SHEET: 1 OF 1 REV: C18

Mouser Electronics

Authorized Distributor

Click to View Pricing, Inventory, Delivery & Lifecycle Information:

[TE Connectivity:](#)

[965906-5](#)