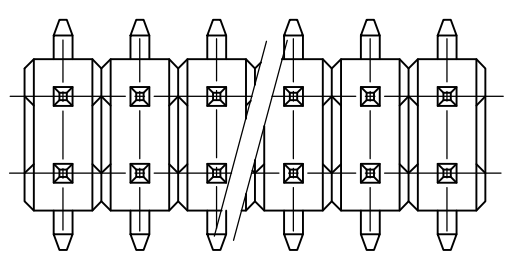
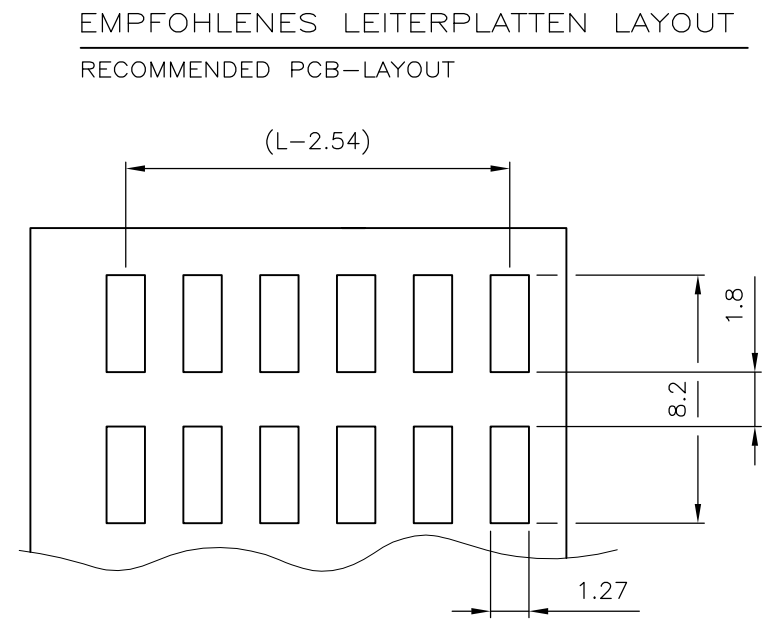
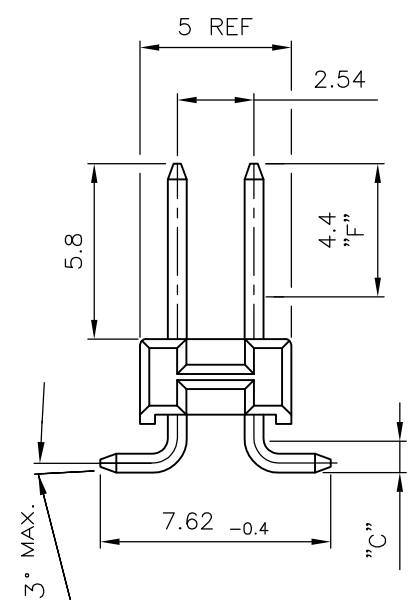
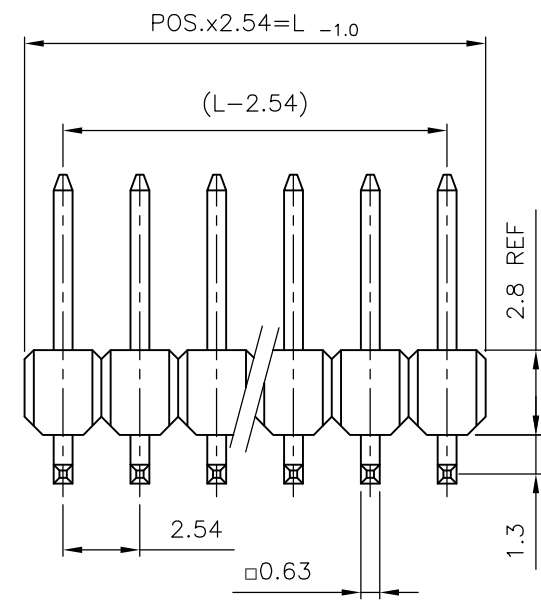


THIS DRAWING IS UNPUBLISHED
 RELEASED FOR PUBLICATION APR , 1995.
 © COPYRIGHT 2010 By - ALL RIGHTS RESERVED.

LOC	DIST	REVISIONS			
P	LTR	DESCRIPTION	DATE	DWN	APVD
IR	-	F	CONTACT PIN MATERIAL & PLATING CHANGE	20JUN2014	PS JK

Pos.	L _{-1,0}
2	5,08
3	7,62
4	10,16
5	12,7
6	15,24
7	17,78
8	20,32
9	22,86
10	25,4
11	27,94
12	30,48
13	33,02
14	35,56
15	38,1
16	40,64
17	43,18



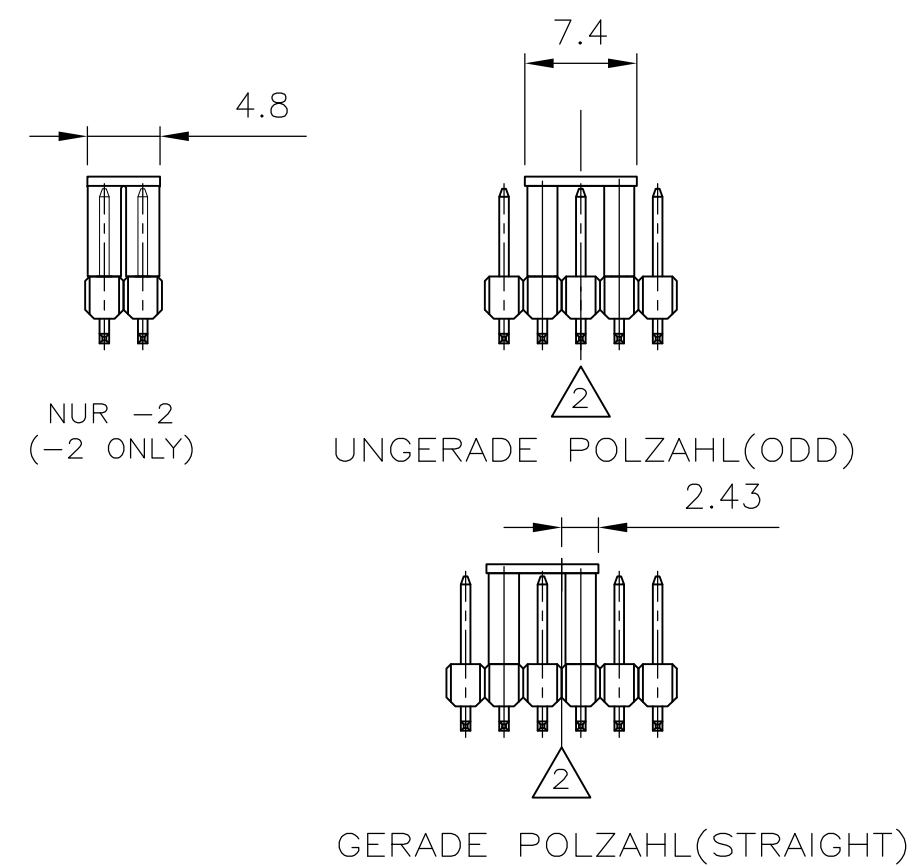
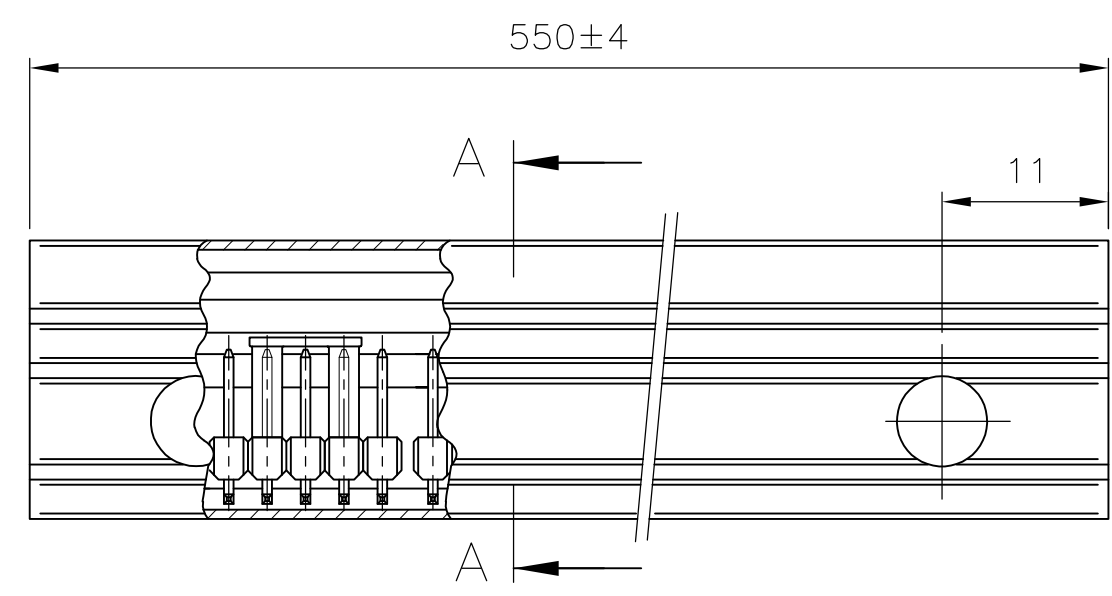
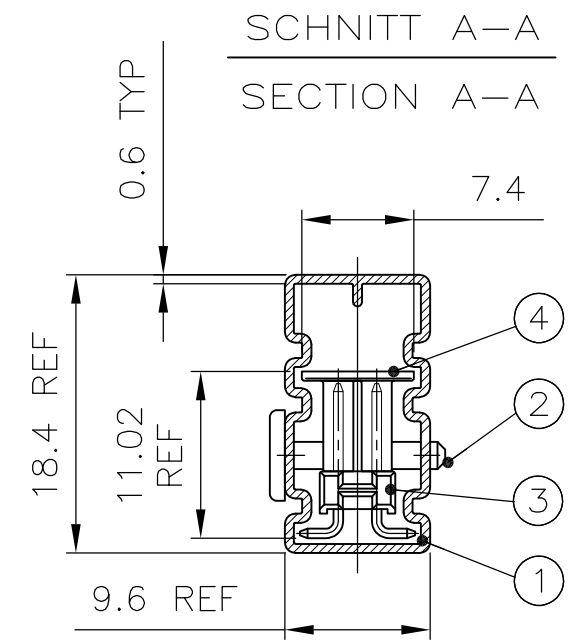
1 MATING SIDE: AREA "F" MIN 0.7µm PdNi + MIN 0.1µm GOLD FLASH OVER 1.27µm NICKEL
 SOLDER SIDE: 3.0 TO 5.0µm TIN OVER 1.27µm NICKEL

KONTAKTSTIFT / CONTACT PIN	Cu Zn	1	2
STIFTGEHÄUSE / PIN HOUSING	PCT-GF	SCHWARZ / BLACK	1
BENENNUNG EINZELTEIL PART DESCRIPTION	WERKSTOFF MATERIAL	OBERFLÄCHE / FARBE SURFACE / COLOR	SI No

THIS DRAWING IS A CONTROLLED DOCUMENT.		DWN A.HO 23.03.95	TE Connectivity																				
DIMENSIONS: mm		CHK M.SCHAARSCHMIDT 23.03.95																					
TOLERANCES UNLESS OTHERWISE SPECIFIED: TOL ± 0.2		APVD -	NAME AMPMODU II PIN HEADER , SMD, PACKED IN TUBE																				
<table border="1"> <tr><td>0</td><td>PLC</td><td>± -</td></tr> <tr><td>1</td><td>PLC</td><td>± -</td></tr> <tr><td>2</td><td>PLC</td><td>± -</td></tr> <tr><td>3</td><td>PLC</td><td>± -</td></tr> <tr><td>4</td><td>PLC</td><td>± -</td></tr> <tr><td colspan="2">ANGLES</td><td>±</td></tr> </table>		0	PLC	± -	1	PLC	± -	2	PLC	± -	3	PLC	± -	4	PLC	± -	ANGLES		±	PRODUCT SPEC 108-18012	SIZE A3		
0	PLC	± -																					
1	PLC	± -																					
2	PLC	± -																					
3	PLC	± -																					
4	PLC	± -																					
ANGLES		±																					
MATERIAL SEE TABLE		FINISH SEE TABLE	APPLICATION SPEC -	CAGE CODE 00779	DRAWING NO C-966269																		
-		WEIGHT -	RESTRICTED TO -																				
CUSTOMER DRAWING			SCALE 2:1	SHEET 1 OF 2	REV F																		

THIS DRAWING IS UNPUBLISHED
 RELEASED FOR PUBLICATION APR , 1995.
 © COPYRIGHT 2010 By - ALL RIGHTS RESERVED.

LOC	DIST	REVISIONS					
IR	-	P	LTR	DESCRIPTION	DATE	DWN	APVD
		-		SEE SHEET 1	-	-	-



- 5 OBSOLETE PARTS: OBSOLETE CIS STREAMLINING PER D.RENAUD/D.SINISI
- 4 OBSOLETE
- 3 SIEHE TABELLE / SEE TABLE
- 2 MITTELLINIE DER STIFTLAISTE / CENTER LINE OF THE PIN ROW
- 1 AMPMODU II SMD-STIFTLAISTE SIEHE BLATT 1 VON 2. / AMPMODU II SMD-PIN ROW SEE SHEET 1 OF 2.

1-966 269-0	10	20	
966 269-9	9	23	OBSOLETE 5
966 269-8	8	25	
4 966 269-7	7	29	
4 966 269-6	6	34	
966 269-5	5	41	
966 269-4	4	51	
966 269-3	3	69	
4 966 269-2	2	108	
BESTELL-NR. / PART NO.	POLZ. PROREIHE / POLZ. PER ROW	VERPACKUNGS-EINHEIT / PACKING UNIT	

S.TABELLE SEE TABLE	4	3	ADAPTER	PCT-GF	SCHWARZ / BLACK	4
	3	3	AMPMODU II STIFTL., SMD	1	1	3
	2	2	VERSCHL. STIFT / LOCKS PIN	PP	ROT	2
	1	1	VERPACKUNGSROHR / PACKING PIPE	ANTI-STATISCH	TRANSPAR.	1
BESTELL-NR. / PN	POS.	STÜCK / PIECE	BENENNUNG EINZELTEIL / PART DESCRIPTION	WERKSTOFF MATERIAL	OBERFLÄCHE / FARBE / SURFACE / COLOR	SI No

THIS DRAWING IS A CONTROLLED DOCUMENT.

DIMENSIONS: mm	TOLERANCES UNLESS OTHERWISE SPECIFIED: TOL ± 0.2	DWN A.HO 23.03.95	STE TE Connectivity
	0 PLC ± 0.2 1 PLC ± 2 PLC ± 3 PLC ± 4 PLC ±	CHK M.SCHAARSCHMIDT 23.03.95	
MATERIAL: SEE TABLE	FINISH: SEE TABLE	APVD: -	NAME: AMPMODU II PIN HEADER, SMD, PACKED IN TUBE
		PRODUCT SPEC: 108-18012	SIZE: A3
		APPLICATION SPEC: -	CAGE CODE: 00779
		WEIGHT: -	DRAWING NO: C-966269
		CUSTOMER DRAWING	RESTRICTED TO: -
		SCALE: 2:1	SHEET: 2 OF 2
			REV: F

Mouser Electronics

Authorized Distributor

Click to View Pricing, Inventory, Delivery & Lifecycle Information:

[TE Connectivity:](#)

[966269-5](#)