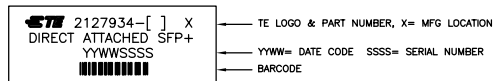
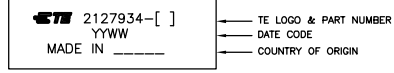


1. CHARACTERISTIC IMPEDANCE: 100±10 OHMS (MEASURED DIFFERENTIALLY).

2. LABEL INFORMATION:



3. LABEL INFORMATION:



- 4. SEE SHEET 2 FOR WIRING SCHEMATIC.
- 5. ROHS COMPLIANCE: PRODUCT AND PROCESSING MEETS REQUIREMENTS OF TE SPECIFICATION TEC-138-702.
- 6. NO LABEL REQUIRED ON CABLE FOR TE PN:1-2127934-8.

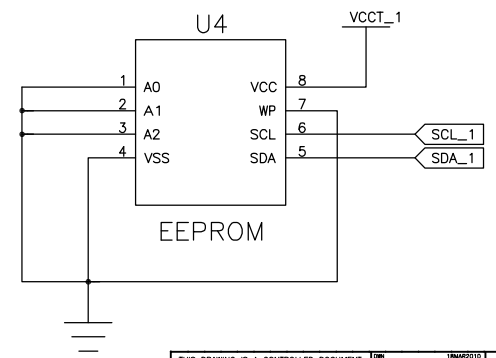
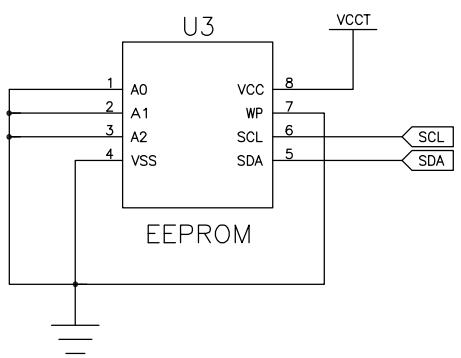
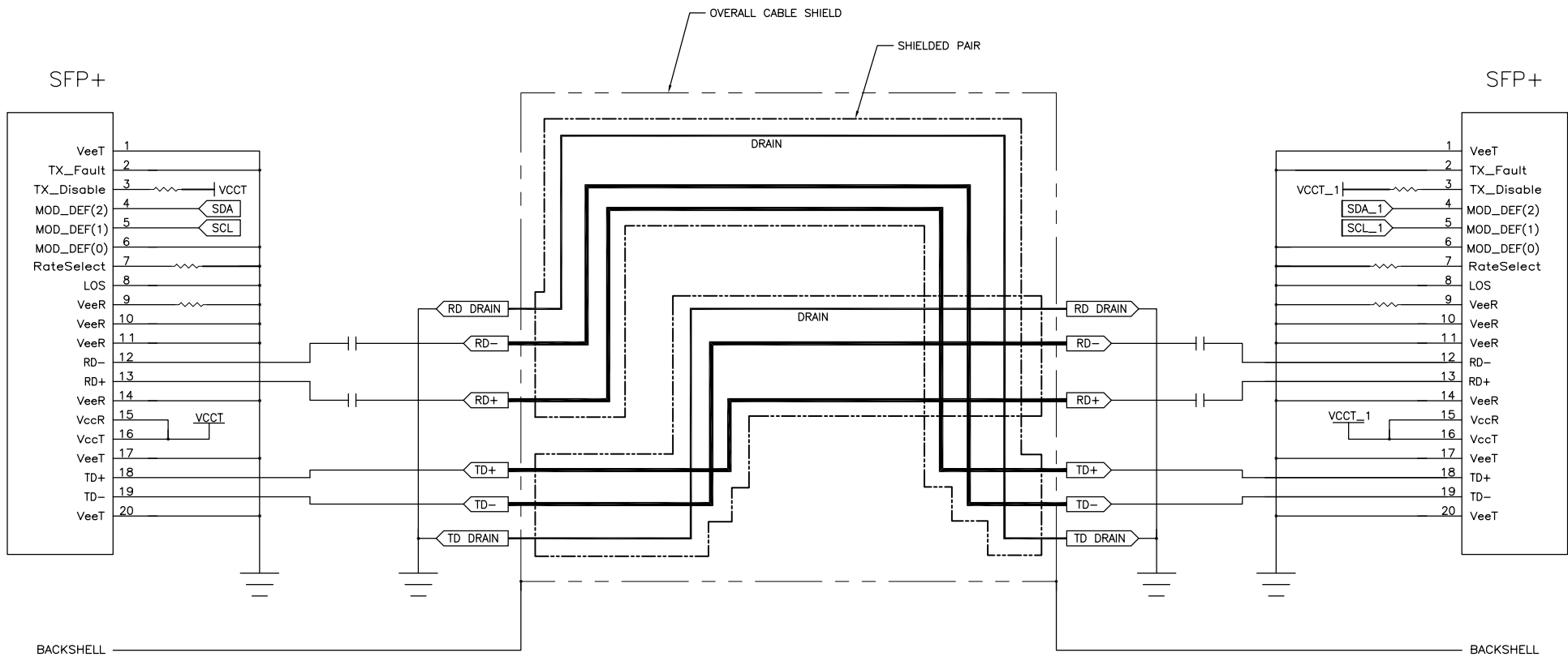
7 +0.1 - 0	METERS	1-2127934-8
10 +0.12 - 0	METERS	1-2127934-1
9 +0.1 - 0	METERS	1-2127934-0
8 +0.1 - 0	METERS	2127934-9
7 +0.1 - 0	METERS	2127934-8
6 +0.1 - 0	METERS	2127934-7
5 +0.1 - 0	METERS	2127934-6
4 +0.08 - 0	METERS	2127934-5
3 +0.08 - 0	METERS	2127934-4
2 +0.08 - 0	METERS	2127934-3
1 +0.05 - 0	METERS	2127934-2
0.5 +0.05 - 0	METERS	2127934-1
L		PART NO

THIS DRAWING IS A CONTROLLED DOCUMENT. DWG: 18M2010
 DR: J. SMITH
 CHK: C. ADAMS
 C. ADAMS
 DATE: 18M2010
 NAME: C. ADAMS
 PRODUCT SPEC: APPLICATION SPEC

STI TE Connectivity
 CABLE ASSY, 24 AWG, SFP+ TO SFP+ NL_PLATED

SIZE: A1
 CAGE CODE: 00779
 DRAWING NO: 2127934
 RESTRICTED TO: CUSTOMER DRAWING

SCALE: 1:1 SHEET 1 OF 2 REV D



THIS DRAWING IS A CONTROLLED DOCUMENT.		DR: J. SMITH 18M2010		TE Connectivity
DRAWN BY: C. ADAMS 18M2010		CHK: C. ADAMS 18M2010		CABLE ASSY, 24 AWG, SFP+ TO SFP+ NL_PLATED
DIMENSIONS: mm		APPROVED: C. ADAMS 18M2010	NAME: APPLICATION SPEC	
0 P.L.C. ±		MATERIAL: FINISH: WEIGHT: SCALE: 1:1		RESTRICTED TO: REV: D
1 P.L.C. ±		CUSTOMER DRAWING		SHEET 2 OF 2
2 P.L.C. ±		SIZE: A1		DRAWING NO: 00779
3 P.L.C. ±		CAGE CODE: C-2127934		REV: 2
4 P.L.C. ±		SCALE: 1:1		SHEET 2 OF 2
MATERIAL: FINISH: WEIGHT: SCALE: 1:1		CUSTOMER DRAWING		REV: D

Mouser Electronics

Authorized Distributor

Click to View Pricing, Inventory, Delivery & Lifecycle Information:

[TE Connectivity:](#)

[2127934-7](#)