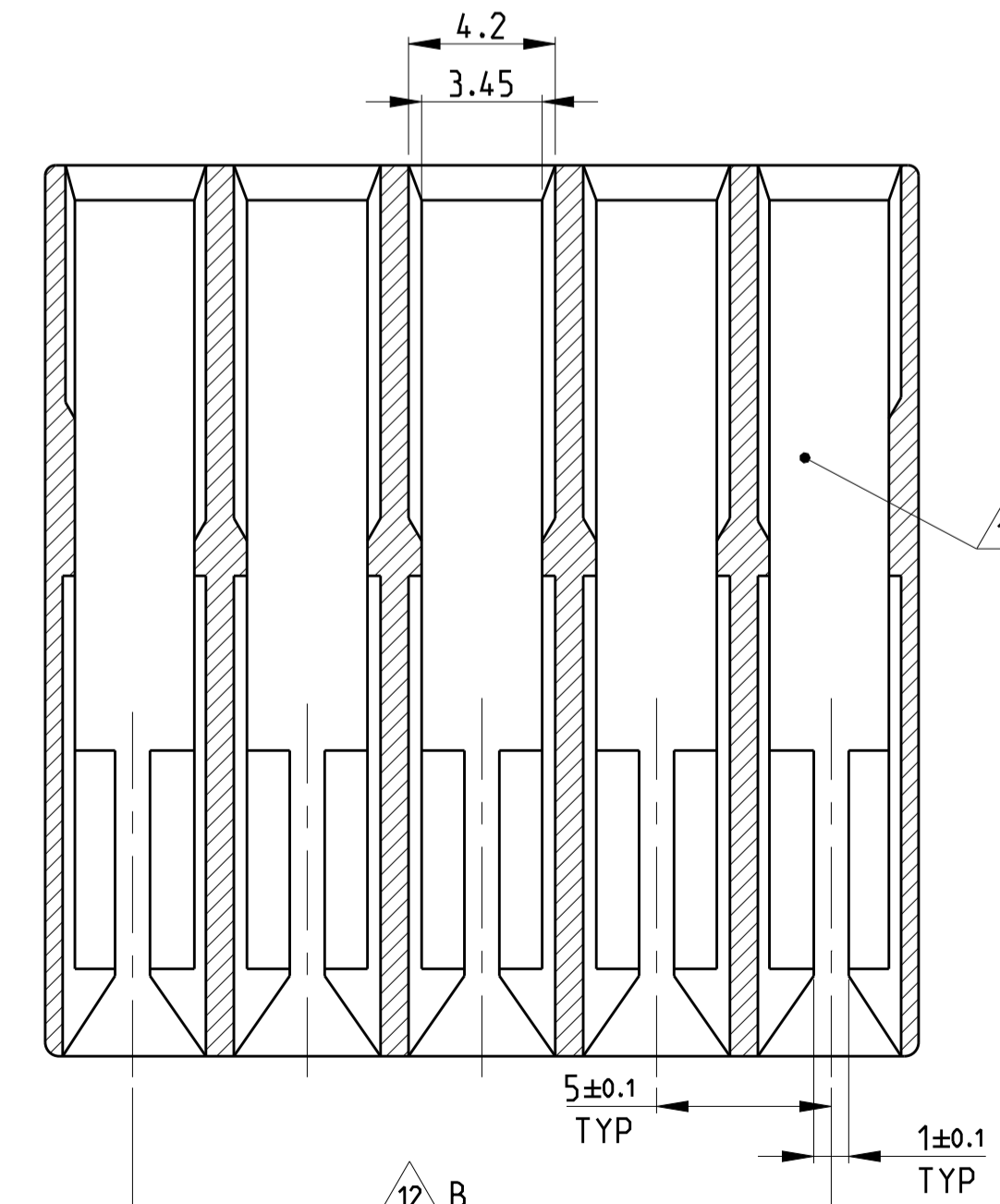
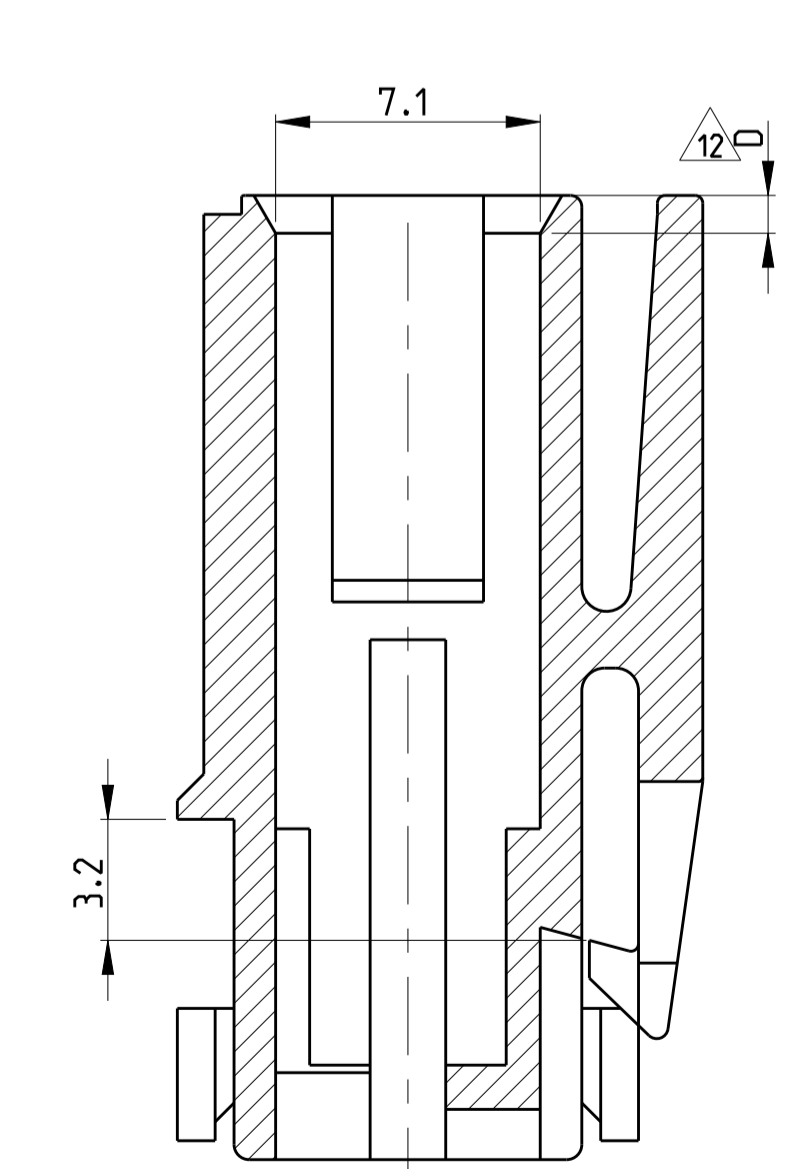
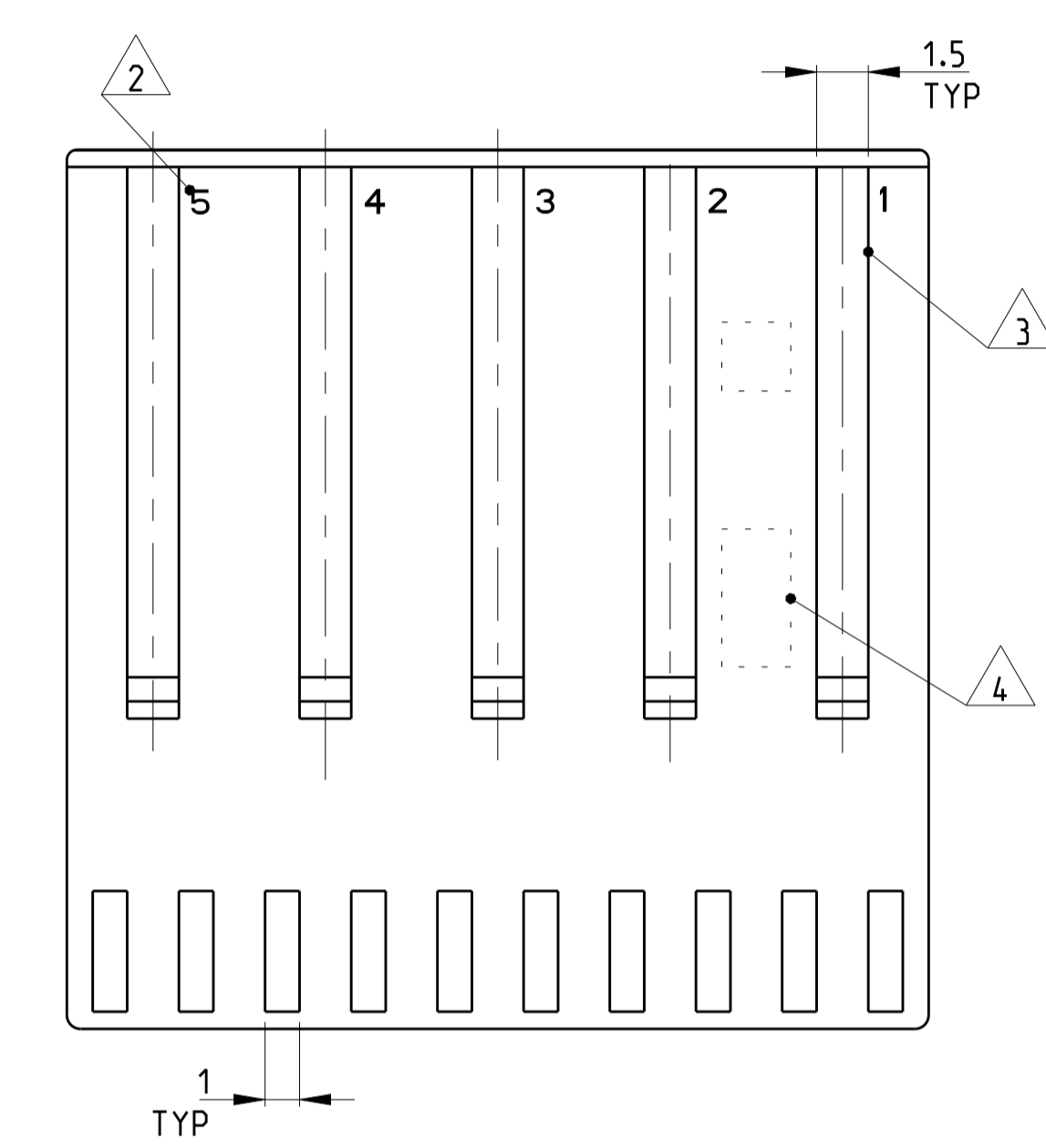
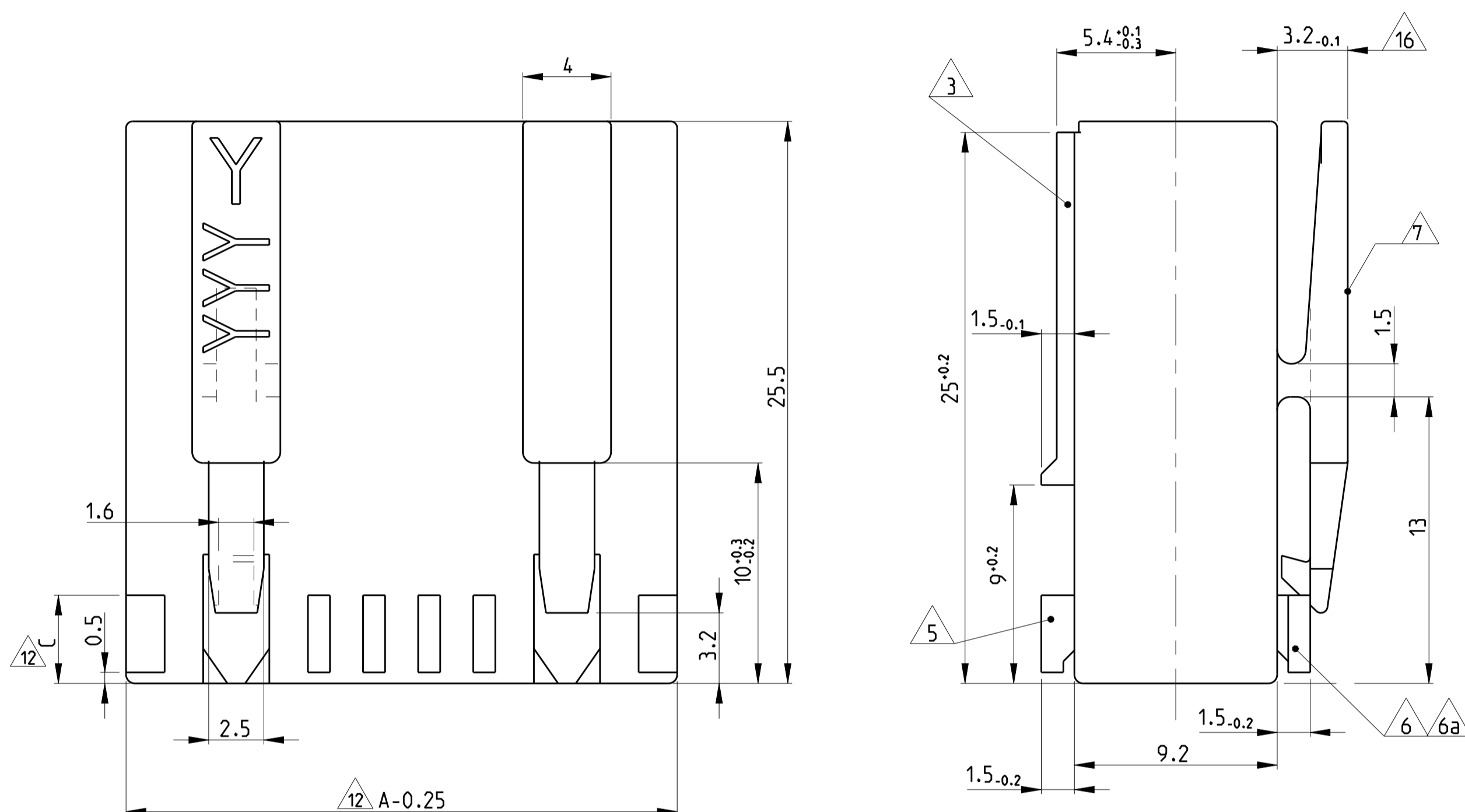
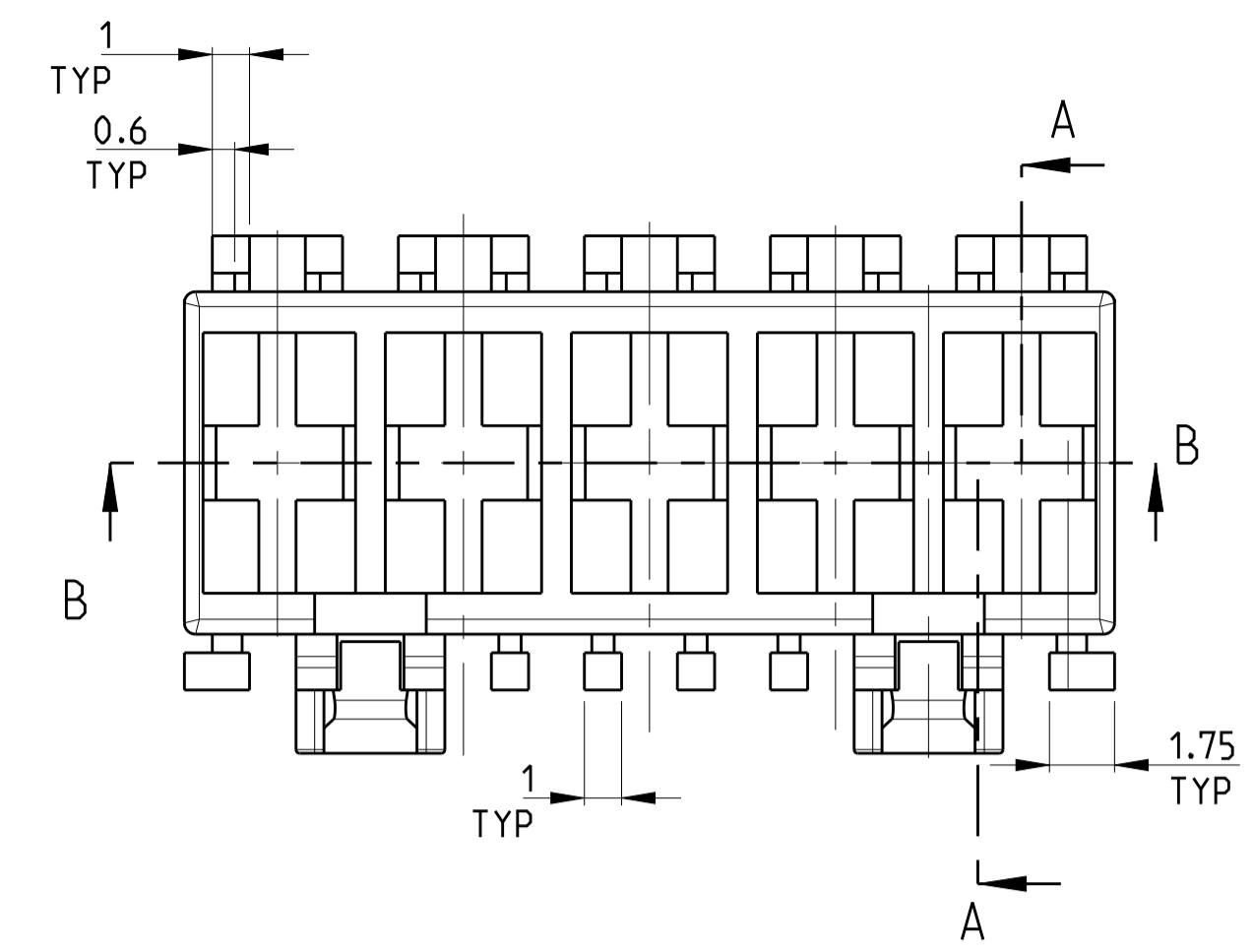
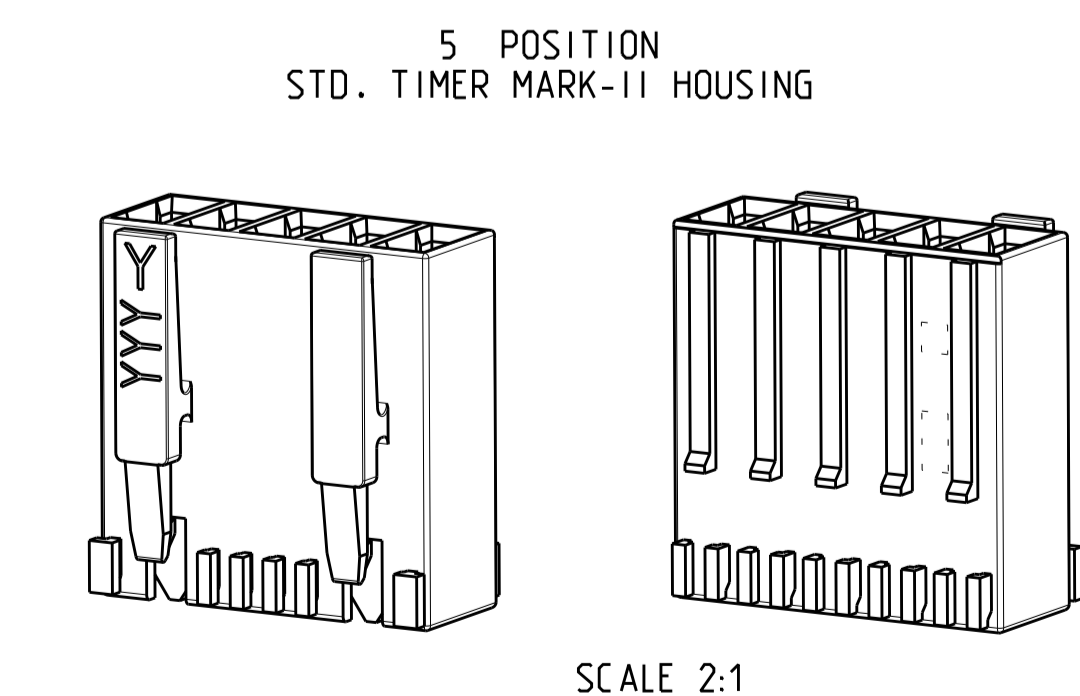


LOC	DIST	REV	DATE	BY	CHK	APPROV
A1	-	C46	12DEC2019	BDA	DC	
		C47	13FEB2020	DC	FL	
		C48	02MAR2020	KD	FL	
		C49	12MAR2020	SM	FL	

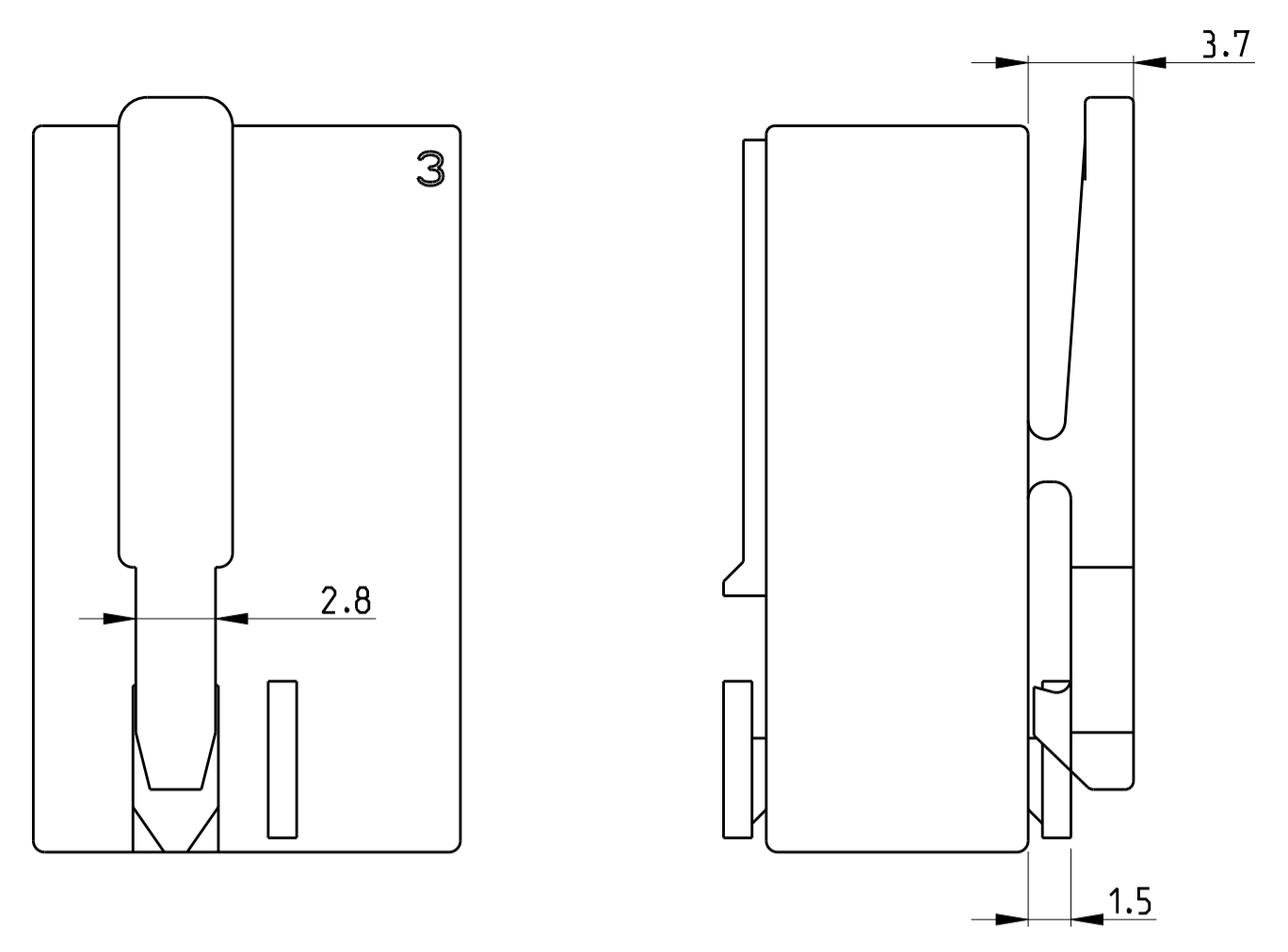


- REMARKS/Bemerkungen**
- 1 CAVITY SUITABLE FOR STANDARD TIMER CONTACTS LISTED IN PROD.SPEC. 108-18049, ITEM 3.3.2
Kammer geeignet für Standard Timer Kontakte gelistet in Prod. Spec. 108-18049, Punkt 3.3.2
 - 2 CONTACT CAVITY NO.
Kontaktkammernummerierung
 - 3 MATING STOP
Tiefenanschlag
 - 4 AREA FOR TE LOGO ACC: TO SPEC 202-36
Bereich für TE Logo nach Spec. 202-36
 - 5 POLARIZATION RIB POSITION "a" AND/OR "b"
Polarisierungsrippe Position "a" und/oder "b"
 - 6 KEYING RIB POSITION "c" AND/OR "d"
Kodierrippe Position "c" und/oder "d"
 - 6a KEYING RIB POSITION "c" AND/OR "d" AT THE END WALLS OF THE HOUSING
Kodierrippe Position "c" und/oder "d" an den Gehäusestirnseiten
 - 7 LOCKING LATCH
Rasthaken
 - 8 TE PART NO (PN)
TE Bestell Nr. (PN)
 - 9 DESIGN OF THE HOUSINGS ACC. TO RAST 5 STANDARD
Gehäuseausführung gemäss RAST 5 Vorgabe
 - 10 GENERAL SUITABLE TAB HEADER SEE RAST 5 PERFORMANCE
Generell passende Flachsteckerwannen siehe RAST 5 Vorgabe
 - 11 PACKAGING: BULK PACKAGING IN CORRUGATED BOX PN 740580-2
2 POS, 2500 PIECES PER BOX / 3 POS, 2000 PIECES PER BOX
Verpackung: Schüttgut in Versandkarton Pn 740580-2
2pol, 2500 Stück per Karton / 3pol, 2000 Stück per Karton
 - 12 DIMENSION A, B C AND D SEE SHEET 2 OF 3
 - 13 MATERIAL CORRESPONDS TO THE REQUIREMENT EN 60335
(INCL. GLOW WIRE TEST 750° WITHOUT FLAME)
Material entspricht den Anforderungen der EN 60335
(inkl. Glühdrahttest 750° ohne Flamme)
 - 14 RATIO NUMBER OF THE KEYING VERSION, INKJET PRINTED. SEE SHEET 2
Kodierungskennnummer, mit Tintenstrahldrucker aufgebracht, siehe Blatt 2
 - 15 PRELIMINARY- NOT RELEASED FOR PRODUCTION
 - 16 ONLY FOR 9-1241961-7, DIMENSION 3.2 -0.2
 - 17 DOUBLE SOURCE RESIN: TWO MATERIALS FROM DIFFERENT SUPPLIERS
CAN BE USED TO PRODUCE THIS PART.



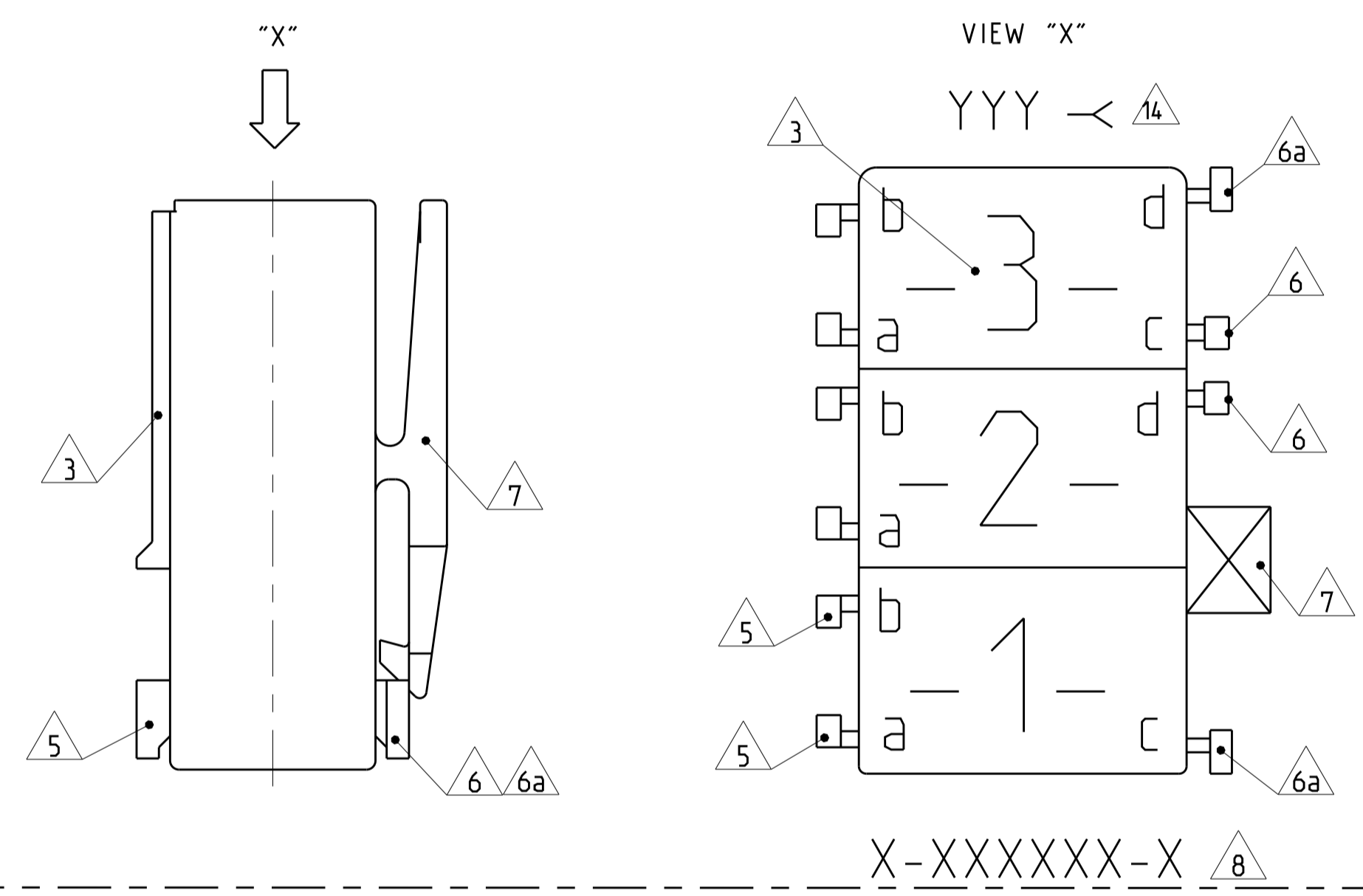
THIS DRAWING IS A CONTROLLED DOCUMENT.		DRW: Kishor M 18-10-07	TE Connectivity
DIMENSIONS: mm		CHK: K. Murtz 18-10-07	
TOLERANCES UNLESS OTHERWISE SPECIFIED:		APVD: Tm Klenner 18-10-07	NAME: STANDARD TIMER HSG. RAST 5 MARK II Standard Timer Gehäuse RAST 5 Mark II
0 PLC ±0.2		PRODUCT SPEC: 108-18049	
1 PLC ±0.2		APPLICATION SPEC: -	SIZE: A1
2 PLC ±0.2		WEIGHT: -	CAGE CODE: 00779
3 PLC ±0.2		RESTRICTED TO: -	DRAWING NO: 1241961
4 PLC ±0.2		Customer Drawing	SCALE: 5:1
ANGLES: -			SHEET: 1 OF 4
FINISH: -			REV: C49

ONLY 5-1241961-7, 1-1241961-9, 7-1241961-7, 2345753-1



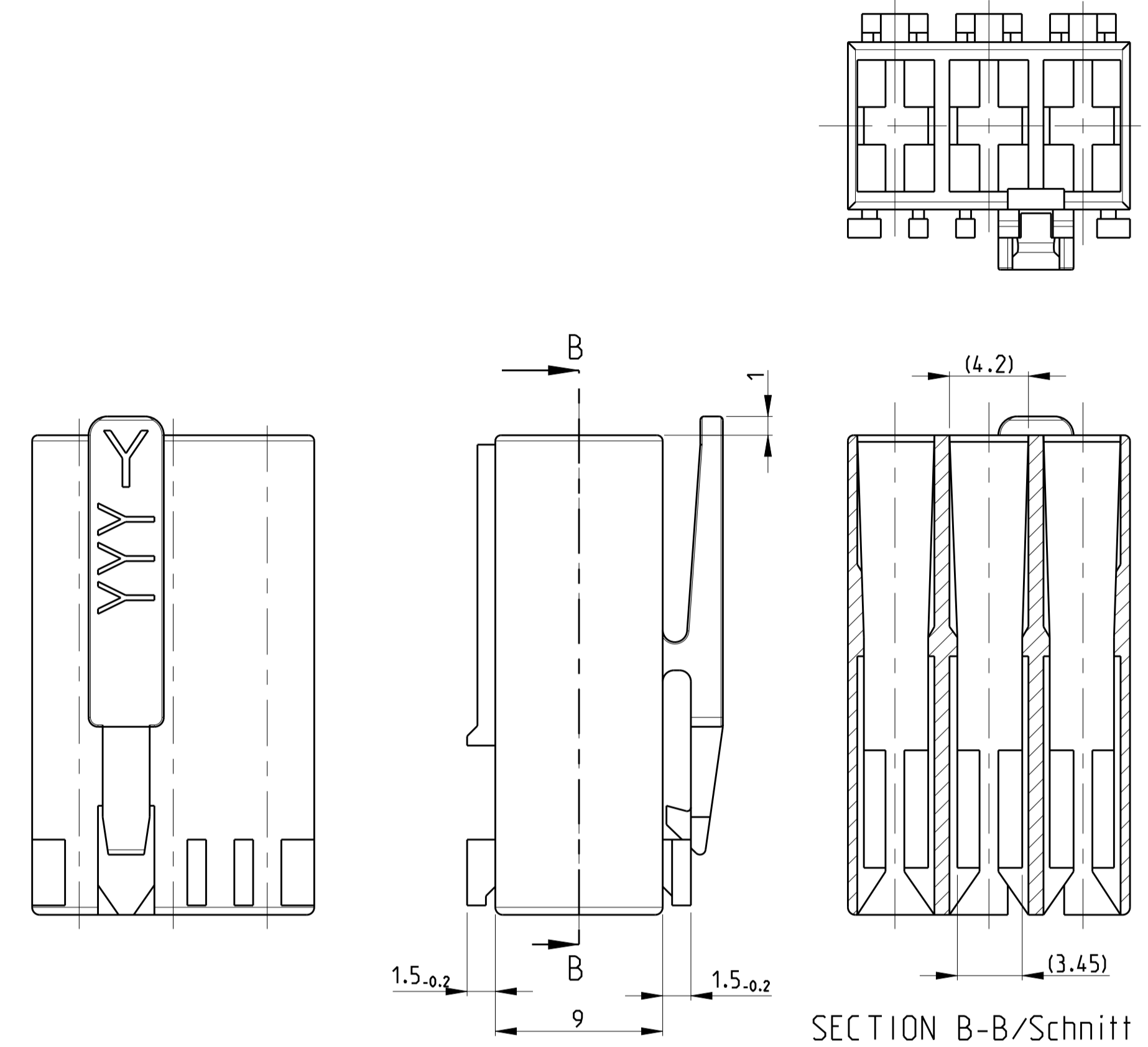
ALL OTHER DIMENSIONS SEE SHEET 1 OF 3

KEY LAYOUT DESCRIPTION



PAY ATTENTION !
DIFFERENT CAVITY GEOMETRY AND LOCKING LATCH OVERHANG
Bitte beachten !
Unterschiedliche Kammergeometrie und Rasthakenuberstand.

FOR 2 POS. AND 3 POS.



ALL OTHER DIMENSIONS SEE SHEET 1 OF 3
Alle anderen Masse siehe Seite 1 von 3

SPECIAL MATERIAL: UL94 V0								
2345753-1	3	6	1	15	10	PA66	NATURAL	C

SPECIAL MATERIAL								
1955507-4	4	6	1	20	15	PA66	NATURAL	1
9-1955506-2	2	6	1	10	5	UL 94 V0	NATURAL	1

PART NO	POS	DIM C	DIM D	DIM A	DIM B	MATERIAL	COLOUR Farbe	REV./Rev.
6-1241961-7	3			15	10	PA 6 UL94V-2	NATURAL	1
4-1241961-7	3			15	10	PA 6 UL94V-2	NATURAL	A
3-1241961-7	3	4	0.5	15	10	PA 6 UL94V-2	NATURAL	A
1-1955422-7	3			15	10	PA 66 UNFILLED UL94 V0	NATURAL	A
5-1955422-7	3			15	10	PA 66 UNFILLED UL94 V0	NATURAL	A
4-1955422-3	2	6	1	10	5	PA 66 UNFILLED UL94 V0	NATURAL	A
2-1241817-3	3	4 or 6	0.5 or 1	15	10	PA 66 UNFILLED UL94 V-2	Green	E
0-1955422-6	3			15	10	PA 66 UNFILLED UL94 V0	NATURAL	A
8-1241961-8	3			15	10	PA 6 UL94V-2	natural	C
0-1241961-8	3			15	10	PA 6 UL94V-2	natural	A
8-1241961-3	2	4	0.5	10	5	PA 6 UL94V-2	NATURAL	C
3-1241961-1	2			10	5	PA 6 UL94V-2	NATURAL	C
0-1955422-1	2			10	5	PA 66 UNFILLED UL94 V0	NATURAL	A

SPECIAL VERSION: UL94 V2 & GWT 750NF							
2178571-3	4		1	20	15	PA 6 GF15 UL94 V-2	NATURAL
2178571-1	3		1	15	10	PA 6 GF15 UL94 V-2	NATURAL
2178571-2	2	4	1	10	5	PA 6 GF15 UL94 V-2	NATURAL
1-2178571-3	3		1	15	10	PA 6 GF15 UL94 V-2	NATURAL
PART NO	POS	DIM C	DIM D	DIM A	DIM B	MATERIAL	COLOUR Farbe

LOC		DIST		REVISIONS			
P	LTR	DATE	DWN	APVD	DESCRIPTION		

SEE SHEET-01									
PART NO	POS.	DIM C	DIM D	DIM A	DIM B	MATERIAL	COLOUR	REV	
0-1241959-5	5			25	15	PA 6 UL94V-2	Natural/natur	B	
4-1241959-4	4	4	0.5	20	15	PA 6 UL94V-2	Natural/natur	A	
2-1241959-4	4			20	15	PA 6 UL94V-2	Natural/natur	B	
0-1241959-4	4			20	15	PA 6 UL94V-2	Natural/natur	B	
2-1241817-5	5	6	1	25	20	PA 6.6 UL94V-2	Natural/natur		
0-1241817-5	4	0.5		25	20	PA 6.6 UL94V-2	Black/schwarz		
3-1241817-4	4			20	15	PA 6.6 UL94V-2	Violet/violett		
2-1241817-4	4	6	1	20	15	PA 6.6 UL94V-2	Grey/grau		
0-1241817-4	4	0.5		20	15	PA 6.6 UL94V-2	Natural/natur		
2-1241983-2				10	5	PA 6 UL94V-2	Green/grün		
1-1241983-2				10	5	PA 6 UL94V-2	Violet/violett		
0-1241983-2	2	4	0.5	10	5	PA 6 UL94V-2	TARGET RAL 4001		
8-1241983-2				10	5	PA 6 UL94V-2	Yellow/gelb		
5-1241983-3				10	5	PA 6 UL94V-2	Black/schwarz		
6-1241983-2				10	5	PA 6 UL94V-2	Blue/blau		
9-1241961-7		4	0.5	15	10	PA 6 UL94V-2	Natural/natur		
9-1241961-8		4	0.5	15	10	PA 6 UL94V-2	Natural/natur		
6-1241961-8		4	0.5	15	10	PA 6 UL94V-2	Natural/natur		
5-1241961-8		4 or 6	0.5 or 1	15	10	PA 6 UL94V-2	Natural/natur		
4-1241961-8		4	0.5	15	10	PA 6 UL94V-2	Natural/natur		
7-1241961-8		4	0.5	15	10	PA 6 UL94V-2	Natural/natur		
1-1241961-8		4 or 6	0.5 or 1	15	10	PA 6 UL94V-2	Natural/natur		
3-1241961-8		6	1	15	10	PA 6 UL94V-2	Natural/natur		
2-1241961-8				15	10	PA 6 UL94V-2	Natural/natur		
2-1241961-7				15	10	PA 6 UL94V-2	Natural/natur		
1-1241961-7		4	0.5	15	10	PA 6 UL94V-2	Natural/natur		
9-1241961-9				15	10	PA 6 UL94V-2	Natural/natur		
0-1241961-6				15	10	PA 6 UL94V-2	Natural/natur		
3-1241961-3				10	5	PA 6 UL94V-2	Natural/natur		
2-1241961-2				10	5	PA 6 UL94V-2	Natural/natur		
5-1241961-2				10	5	PA 6 UL94V-2	Natural/natur		
4-1241961-3				10	5	PA 6 UL94V-2	Natural/natur		
7-1241961-2				10	5	PA 6 UL94V-2	Natural/natur		
7-1241961-3				10	5	PA 6 UL94V-2	Natural/natur		
6-1241961-3				10	5	PA 6 UL94V-2	Natural/natur		
3-1241961-2				10	5	PA 6 UL94V-2	Natural/natur		
5-1241961-3				10	5	PA 6 UL94V-2	Natural/natur		
6-1241961-2				10	5	PA 6 UL94V-2	Natural/natur		
0-1241961-3				10	5	PA 6 UL94V-2	Natural/natur		
8-1241961-2				10	5	PA 6 UL94V-2	Natural/natur		
9-1241961-2				10	5	PA 6 UL94V-2	Natural/natur		
0-1241961-1				10	5	PA 6 UL94V-2	Natural/natur		
9-969484-9	3	6	1	15	10	PA 6.6 UL94V-2	Yellow/gelb		
2-969484-8				15	10	PA 6.6 UL94V-2	Yellow/gelb		
4-969484-8		4 or 6	0.5 or 1	15	10	PA 6.6 UL94V-2	Yellow/gelb		
0-969484-8				15	10	PA 6.6 UL94V-2	Yellow/gelb		
9-969484-7		4	0.5	15	10	PA 6.6 UL94V-2	Yellow/gelb		
8-969484-7				15	10	PA 6.6 UL94V-2	Yellow/gelb		
7-969484-7				15	10	PA 6.6 UL94V-2	Yellow/gelb		
6-969484-7				15	10	PA 6.6 UL94V-2	Yellow/gelb		
5-969484-7		4	0.5	15	10	PA 6.6 UL94V-2	Yellow/gelb		
4-969484-7				15	10	PA 6.6 UL94V-2	Yellow/gelb		
3-969484-7		4	0.5	15	10	PA 6.6 UL94V-2	Yellow/gelb		
2-969484-7		4	0.5	15	10	PA 6.6 UL94V-2	Yellow/gelb		
1-969484-7	3	4	0.5	15	10	PA 6.6 UL94V-2	Yellow/gelb		
0-969484-7				15	10	PA 6.6 UL94V-2	Yellow/gelb		
9-969484-6		6	1	15	10	PA 6.6 UL94V-2	Yellow/gelb		
8-969484-6				15	10	PA 6.6 UL94V-2	Yellow/gelb		
7-969484-6				15	10	PA 6.6 UL94V-2	Yellow/gelb		
6-969484-6				15	10	PA 6.6 UL94V-2	Yellow/gelb		
5-969484-6				15	10	PA 6.6 UL94V-2	Yellow/gelb		
4-969484-6				15	10	PA 6.6 UL94V-2	Yellow/gelb		
3-969484-6		6	1	15	10	PA 6.6 UL94V-2	Yellow/gelb		
2-969484-6				15	10	PA 6.6 UL94V-2	Yellow/gelb		
1-969484-6				15	10	PA 6.6 UL94V-2	Yellow/gelb		
0-969484-6				15	10	PA 6.6 UL94V-2	Yellow/gelb		
9-969484-3				10	5	PA 6.6 UL94V-2	Yellow/gelb		
8-969484-3				10	5	PA 6.6 UL94V-2	Yellow/gelb		
7-969484-3				10	5	PA 6.6 UL94V-2	Yellow/gelb		
6-969484-3		4	0.5	10	5	PA 6.6 UL94V-2	Yellow/gelb		
5-969484-3				10	5	PA 6.6 UL94V-2	Yellow/gelb		
4-969484-3				10	5	PA 6.6 UL94V-2	Yellow/gelb		
3-969484-3				10	5	PA 6.6 UL94V-2	Yellow/gelb		
2-969484-3				10	5	PA 6.6 UL94V-2	Yellow/gelb		
1-969484-3				10	5	PA 6.6 UL94V-2	Yellow/gelb		
0-969484-3				10	5	PA 6.6 UL94V-2	Yellow/gelb		
9-969484-2				10	5	PA 6.6 UL94V-2	Yellow/gelb		
8-969484-2				10	5	PA 6.6 UL94V-2	Yellow/gelb		
7-969484-2				10	5	PA 6.6 UL94V-2	Yellow/gelb		
6-969484-2		4	0.5	10	5	PA 6.6 UL94V-2	Yellow/gelb		
5-969484-2				10	5	PA 6.6 UL94V-2	Yellow/gelb		
4-969484-2				10	5	PA 6.6 UL94V-2	Yellow/gelb		
3-969484-2				10	5	PA 6.6 UL94V-2	Yellow/gelb		
2-969484-2				10	5	PA 6.6 UL94V-2	Yellow/gelb		
1-969484-2				10	5	PA 6.6 UL94V-2	Yellow/gelb		
0-969484-2				10	5	PA 6.6 UL94V-2	Yellow/gelb		
9-969484-1				10	5	PA 6.6 UL94V-2	Yellow/gelb		
8-969484-1		6	1	10	5	PA 6.6 UL94V-2	Yellow/gelb		
7-969484-1				10	5	PA 6.6 UL94V-2	Yellow/gelb		
6-969484-1		4	1	10	5	PA 6.6 UL94V-2	Yellow/gelb		
5-969484-1				10	5	PA 6.6 UL94V-2	Yellow/gelb		
4-969484-1		6	1	10	5	PA 6.6 UL94V-2	Yellow/gelb		
3-969484-1				10	5	PA 6.6 UL94V-2	Yellow/gelb		
2-969484-1		4	0.5	10	5	PA 6.6 UL94V-2	Yellow/gelb		
1-969484-1				10	5	PA 6.6 UL94V-2	Yellow/gelb		
0-969484-1				10	5	PA 6.6 UL94V-2	Yellow/gelb		

THIS DRAWING IS A CONTROLLED DOCUMENT. DWG: Kishor M 18-10-07, CHK: K. Muriz 18-10-07, APVD: T. Klenner 18-10-07

STANDARD TIMER HSG. RAST 5 MARK II
Standard Timer Gehäuse RAST 5 Mark II

SIZE: A1, CAGE CODE: 00779, DRAWING NO: 1241961, RESTRICTED TO: -

WEIGHT: -

MATERIAL: SEE TABLES, SHEETS PAGE 2 AND 3 OF 4

Customer Drawing

SCALE: 5:1, SHEET: 2 OF 4, REV: 49

LOC	DIST	REVISIONS			
P	LTR	DESCRIPTION	DATE	DWN	APVD
		SEE SHEET 1			

SPECIAL VERSION: UL94 V0 & GWEPT 750°C NF										
△15	2364739-5	5			25	20		PA66	BLUE	2
△15	2364739-4	4			20	15			BLUE	2
△15	1-2364739-3	3			15	10			BLUE	2
△15	2364739-3	3	4	0.5	15	10			BLUE	2
△15	1-2364739-2	2			10	5		△13 △17	BLUE	2
△15	2364739-2	2			10	5			BLUE	2
△15	3-2364739-2	2			10	5			BLUE	2
△15	2-2364739-2	2			10	5			BLUE	2


SPECIAL VERSION: UL94 V0 & GWT 750 NF & CTI 350										
	5-1241961-7	3			15	10		PA66 △13	NATURAL	A
	1-1241961-9	3	6	1	15	10			NATURAL	A
	7-1241961-7	3			15	10			NATURAL	A

SPECIAL VERSION: UL94 V0 & GWT 750 NF										
△15	2322164-1	4	4	0.5	20	15		PA66 △13	NATURAL	1

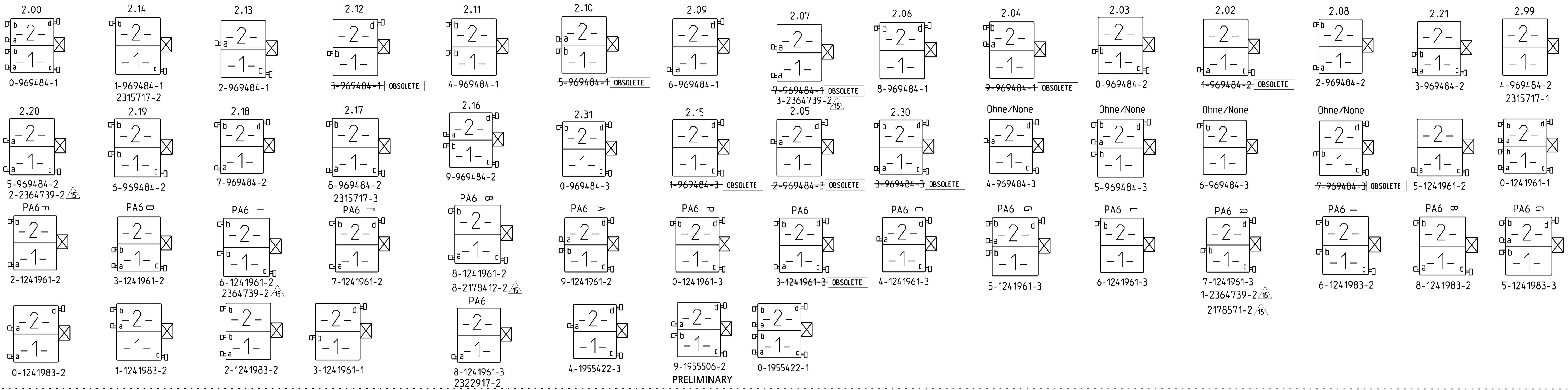
SPECIAL VERSION: UL94 V2 & GWT 750 NF										
	6-2178575-7	3	4	0.5	15	10		PA6 GF15 △13	NATURAL	A

SPECIAL VERSION: UL94 V0 & GWT 750 NF										
△15	3-2178412-7	3			15	10		PA66 △13	NATURAL	1
△15	4-2178412-7	3	6	1	15	10		UL94 V0 & GWT 750 NF	NATURAL	1
△15	8-2178412-2	2			10	5			NATURAL	1

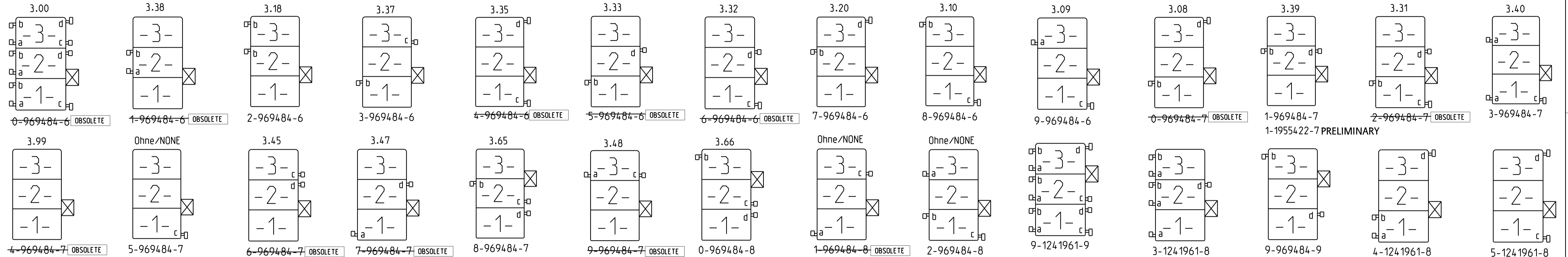
UL94 V0 & GWT 750 NF										
	2322917-4	4	4	0.5	20	15			NATURAL	C
	2322917-2	2			10	5			NATURAL	C
	2315717-1	2			10	5			NATURAL	C
	2315717-2	2			10	5			NATURAL	C
	2315717-3	2			10	5		PA66 △13	NATURAL	C
	2315717-4	4	4	0.5	20	15		UL94 V0 & GWT 750 NF	NATURAL	C
	2315717-5	4			20	15			NATURAL	C
	2315717-6	3			15	10			NATURAL	C
	2315717-7	3			15	10			NATURAL	C
PART NO.	POS	DIM C	DIM D	DIMA	DIM B	MATERIAL		COLOUR	REV.	
		△12	△12	△12	△12					

THIS DRAWING IS A CONTROLLED DOCUMENT.		DWN: Kishor M. 18-10-07	 TE Connectivity
DIMENSIONS: mm		CHK: K. Munz 18-10-07	
TOLERANCES UNLESS OTHERWISE SPECIFIED:		APVD: Th. Klenner 18-10-07	
0 PLC ±0.2 1 PLC ±0.2 2 PLC ±0.2 3 PLC ±- 4 PLC ±- ANGLES *- FINISH *-		NAME: STANDARD TIMER HSG. RAST 5 MARK II PRODUCT SPEC: 108-18049 APPLICATION SPEC:	
MATERIAL: SEE TABLES. SHEETS PAGE 2 AND 3 OF 4		WEIGHT: -	RESTRICTED TO: -
Customer Drawing		SCALE: 5:1	SHEET 3 OF 4

2 POSITION VARIANTS

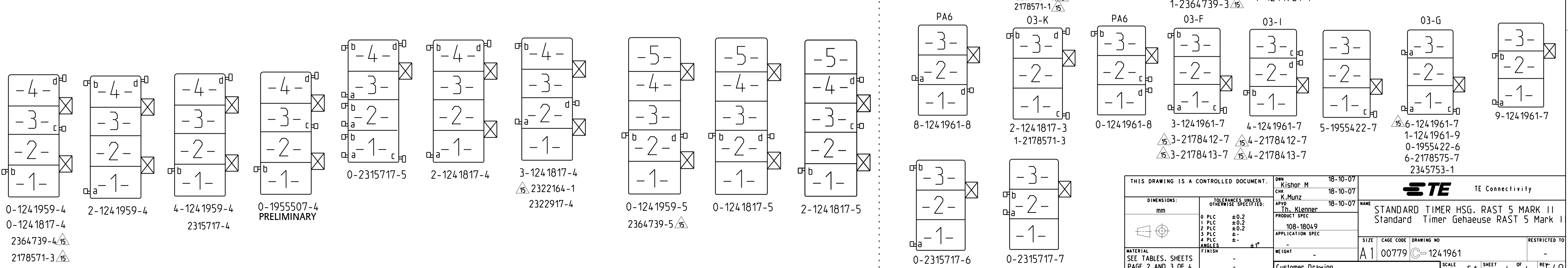


3 POSITION VARIANTS



4 POSITION VARIANTS

5 POSITION VARIANTS



THIS DRAWING IS A CONTROLLED DOCUMENT.		DWN: Kishor M. 18-10-07	 TE Connectivity
DIMENSIONS: mm		CHK: K. Murtz 18-10-07	
TOLERANCES UNLESS OTHERWISE SPECIFIED:		APVD: T. Klanner 18-10-07	
0 PLC ±0.2 1 PLC ±0.2 2 PLC ±0.2 3 PLC ±0.2 4 PLC ±0.2 ANGLES ±* FINISH ±*		NAME: STANDARD TIMER HSG. RAST 5 MARK II Standard Timer Gehäuse RAST 5 Mark II	
MATERIAL: SEE TABLES, SHEETS PAGE 2 AND 3 OF 4		WEIGHT: -	RESTRICTED TO: -
Customer Drawing		SCALE: 5:1	REVISION: 4