

DASH NO	CABLES ACCOMMODATED	A DIM	B DIM	C FLATS	D FLATS	E DIA	ASSEMBLE PER					
-7	TRC-50-2 TRC-75-2	1.135	.096	.438	.438	.500	TAI-189					
-8	8227, BELDEN	1.716	.130	.625	.688	.750	TAI-103					
-9	TWC-78-2 TWC-124-2	1.135	.096	.438	.438	.500	TAI-102					
-A9	BL782, TIMES BL982, TIMES BL1242, TIMES											
-10	RG-22 754E, AT&T											
-11	760A, AT&T	1.716	.130	.625	.688	.750	TAI-103					
-12	16 PEVL, AT&T V1-AL, GENERAL						TAI-128					
-13	TRF-59, TIMES						TAI-129					
-13A	8232, BELDEN						TAI-165					
-14	8233, BELDEN						TAI-129					
-23	250-3884, MICRODOT						TAI-189					
-24	202-3934, MICRODOT						TAI-102					
-24A	9530A5117, RAYCHEM	TAI-189										
-25	T-43M, GENERAL	TAI-102										
-25A	5021H5331, RAYCHEM	1.135	.096	.438	.438	.500	TAI-189					
-26	7028A5518, RAYCHEM						TAI-189					
-27	T19TPSJ2619EN, WOVEN 202-3927, MICRODOT 202-3942, MICRODOT	1.716	.130	.625	.688	.750	TAI-102					
-29	TWC-78-1/TWC-124-1A						TAI-102					
-30	761A, AT&T 8441, BELDEN						1.135	.096	.438	.438	.500	TAI-189
-32	TRC-50-1											
-33	TRC-75-1						1.716	.130	.625	.688	.750	TAI-103
-42	21-204, ESSEX 4463, CONSOLIDATED											
-43	250-4044/250-4045 293-3930, MICRODOT											
-45	M27500-22TE2T14 1100-66F, STANDARD											
-46	9860, BELDEN						1.135	.096	.438	.438	.500	TAI-102
-47	M17/176-00002						1.716	.130	.625	.688	.750	TAI-103
-49	TWAC-78-1F2											
-54	89207, BELDEN											
-55	89272, BELDEN	1.135	.096	.438	.438	.500	TAI-189					
-56	GC875GC1, GRUMMAN											
-57	GC875GB1, GRUMMAN											
-58	GC875TM24H, GRUMMAN											
-59	GC875LN1, GRUMMAN											
-60	M17/177, THERMATICS 380-10045, BOEING	1.716	.130	.625	.688	.750	TAI-102					
-64	7528A5314, RAYCHEM											

DATA CONTAINED IN THIS DOCUMENT IS PROPRIETARY TO TROMPETER ELECTRONICS INC. AND SHALL NOT BE DISCLOSED, COPIED OR USED FOR PROCUREMENT OR MANUFACTURE WITHOUT EXPRESS WRITTEN PERMISSION OF TROMPETER ELECTRONICS INC.

REVISIONS		310-0025	SH 1
REV	DESCRIPTION	DATE	APPROVED
U	REVISED PER ECD 14778	11-5-02	RAM

CABLE ENTRY			
DASH NO	DIA	DASH NO	DIA
-7	.274	-29	.191
-8	.345	-30	.235
-9	.285	-32	.191
-A9	.285	-33	.217
-10	.455	-42	.300
-11	.347	-43	.200
-12	.485	-45	.183
-13	.362	-46	.475
-13A	.352	-47	.164
-14	.490	-49	.132
-23	.183	-54	.323
-24	.191	-55	.250
-24A	.200	-56	.191
-25	.285	-57	.191
-25A	.285	-58	.198
-26	.191	-59	.198
-27	.145	-60	.217
		-64	.183

FIG 1  $\Delta$   
-9 SHOWN

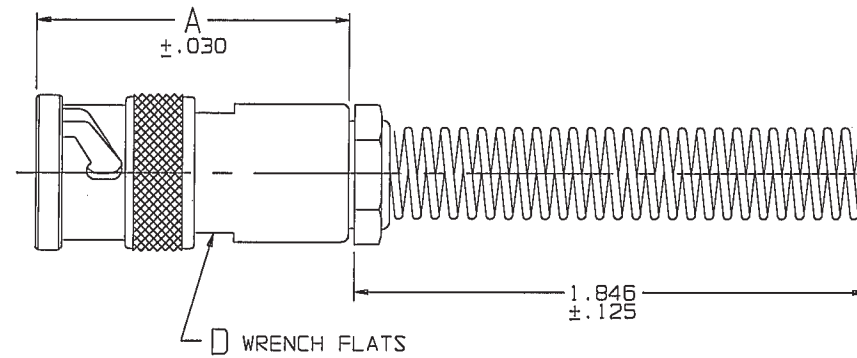
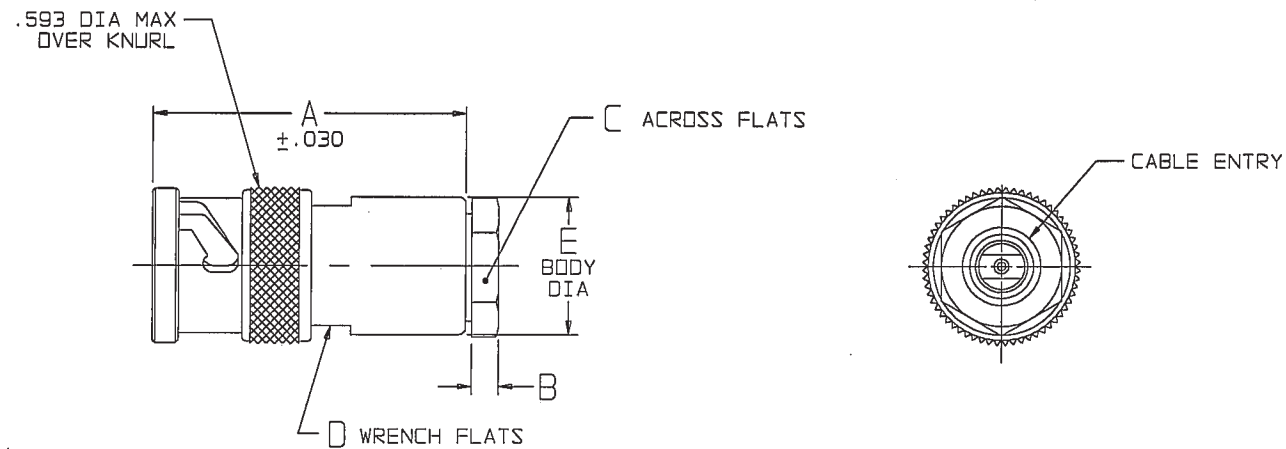


FIG 2  
-9 SHOWN



RED INDICATES ORIGINAL

6. EXAMPLE OF A COMPLETE MODEL NO.

PL74 -47  $\Delta$

BASIC MODEL NO. DASH NO.

$\Delta$  IF BEND RELIEF SPRING REQD (SEE FIG 1)  
ADD SUFFIX "BR" TO MODEL NO  
(NOT AVAILABLE WITH CABLE GROUPS -8, -10, -11,  
-12, -13, -13A, -14, -46 & -54)

$\Delta$  CLAMP NUT OMITTED

$\Delta$  2-LUG BAYONET CONCENTRIC TWINAX/TRIAX TRB CABLE PLUG

2. FINISH: TFS-1A (NICKEL)

1. ALL DIM ARE IN INCHES

TYPE $\Delta$	DASH NO/CABLE GROUP																
TWINAX	-8	-9	-A9	-10	-11	-12	-24	-25	-27	-29	-30	-45	-46	-47	-49	-54	-55
TRIAx	-7	-13	-13A	-14	-23	-24A	-25A	-26	-32	-33	-42	-43	-56	-57	-59	-60	-64
QUADRAx	-58																

INTERPRET DRAWING PER MIL-STD-100  
DIMENSIONS ARE IN INCHES  
AND INCLUDE FINISH THICKNESS  
UNLESS OTHERWISE SPECIFIED

DRAWN AAH  
CHECKED [Signature]  
QUALITY [Signature]  
HANDLE [Signature]  
APPROVED [Signature]  
CAD FILE NO. 310-0025U

TOL: UNLESS SPECIFIED  
.XX  
.XXX ±.005  
.XXXX  
ANGLES

**TROMPETER**  
RF connectivity  
a cinch connectivity solutions brand

TITLE: PL74/PL74BR  
SIZE: B  
CAGE CODE: 14949  
DRAWING NO.: 310-0025  
REV: U  
SCALE: NONE  
DATE: 3/27/78  
SHEET: 1C

305-0515  
NEXT ASSY

DO NOT SCALE DWG

# Mouser Electronics

Authorized Distributor

Click to View Pricing, Inventory, Delivery & Lifecycle Information:

[Cinch Connectivity Solutions:](#)

[PL74-47](#)