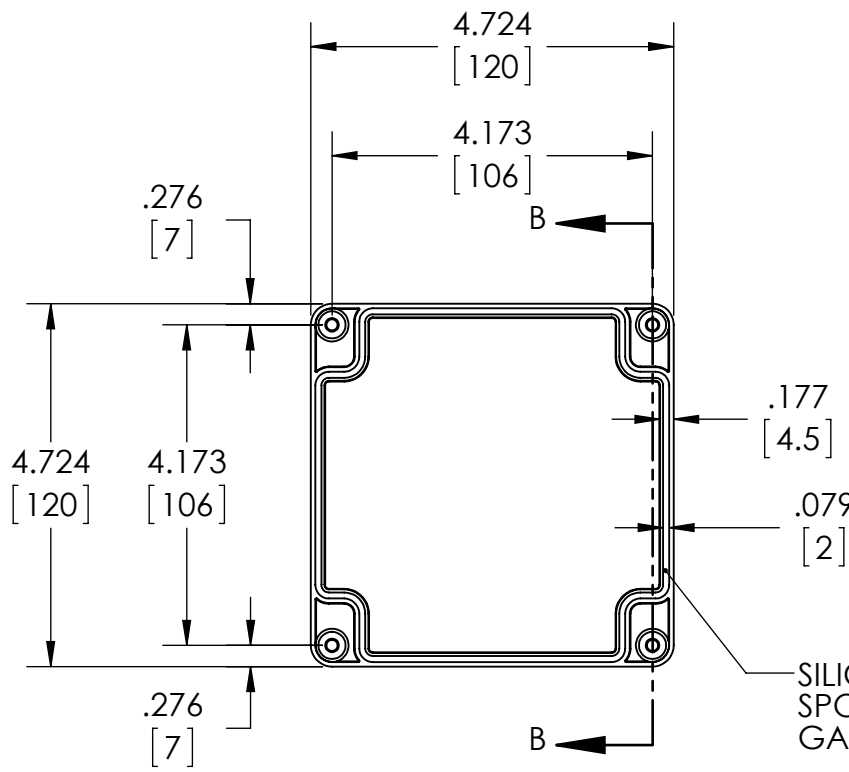
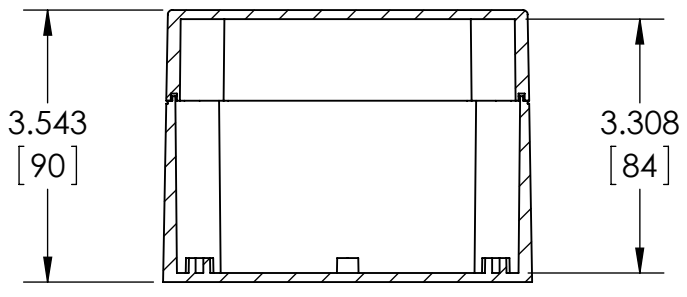


**BODY**



**COVER**

MATERIAL & FINISH:  
 (-MB SUFFIX PART NO.) POLYCARBONATE UL94-HB, UV STABILIZED, SERVICE TEMPERATURE RANGE: -40°C TO +120°C, LIGHT GRAY BODY & COVER.  
 (-CMB SUFFIX PART NO.) SAME AS -MB EXCEPT CLEAR COVER.  
 (-DGMB SUFFIX PART NO.) ABS UL94-HB, SERVICE TEMPERATURE RANGE: -40°C TO +80°C, DARK GRAY BODY & COVER.

- NOTES:
- 1.) FOUR (4) M4 STAINLESS STEEL SCREWS SUPPLIED FOR ASSEMBLY OF COVER TO BODY.
  - 2.) BOXES DESIGNED TO MEET FOLLOWING STANDARDS: NEMA 1, 2, 4, 4X, 12, 13 AND IEC529-IP66 REQUIREMENTS.
  - 3.) ALL HOLE DIAMETERS HAVE  $\pm .005$ [.12] TOLERANCE. ALL OTHER DIMENSIONS HAVE  $\pm .015$ [.38] TOLERANCE.
  - 4.) ALL OUTSIDE DRAFT ANGLE: 1° ALL INSIDE DRAFT ANGLE: 1/2°
  - 5.) DIMENSIONS ARE INCH[MM]

SILICONE SPONGE GASKET

# Mouser Electronics

Authorized Distributor

Click to View Pricing, Inventory, Delivery & Lifecycle Information:

[Bud Industries:](#)

[PN-1337-CMB](#) [PN-1337-DGMB](#) [PN-1337-MB](#)