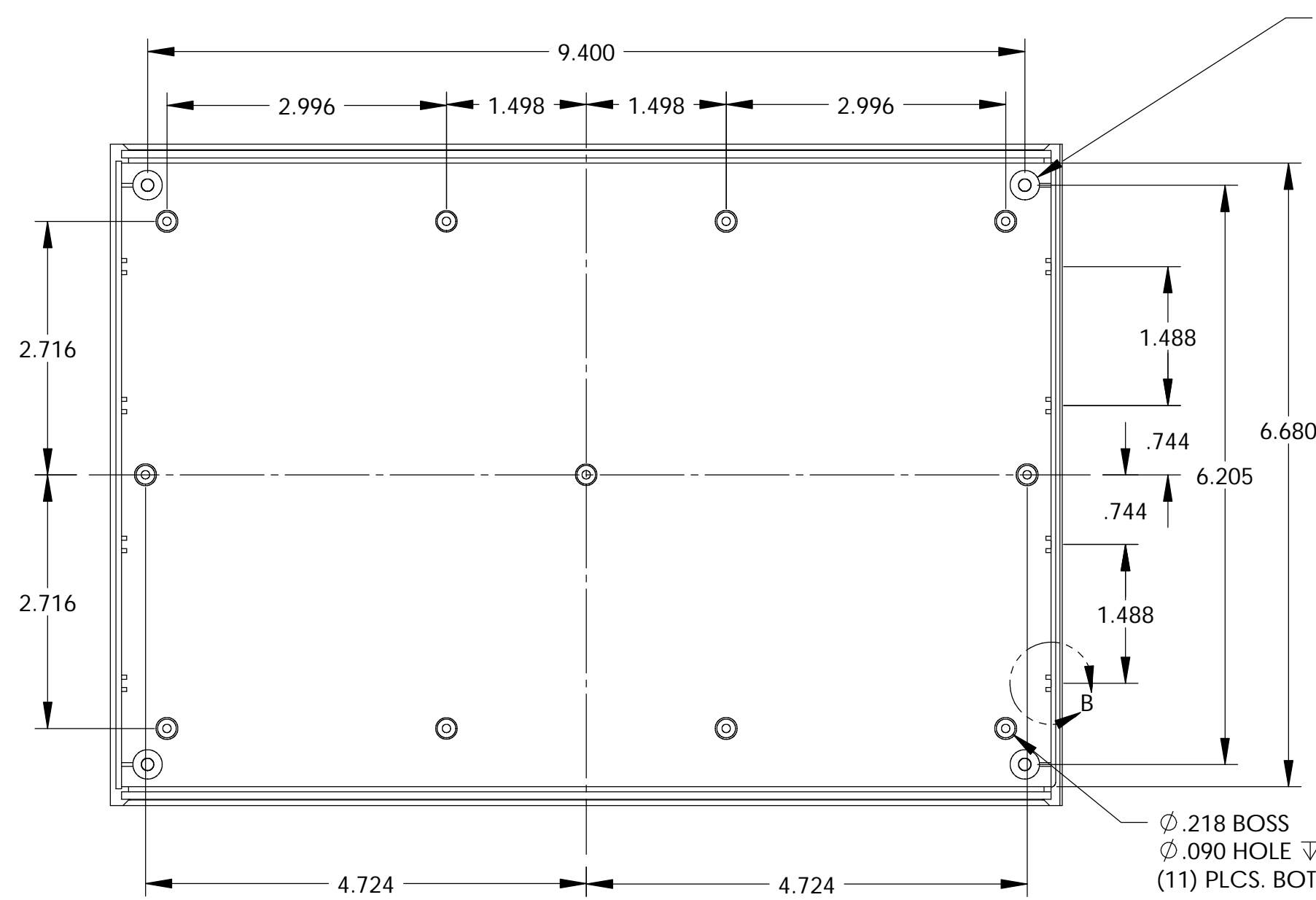


PART NAME

PLASTIC INSTRUMENT CASE

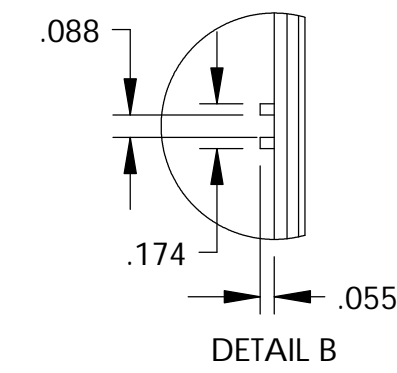
PART No.

IP-6136 & IP-6137 & IP-6138



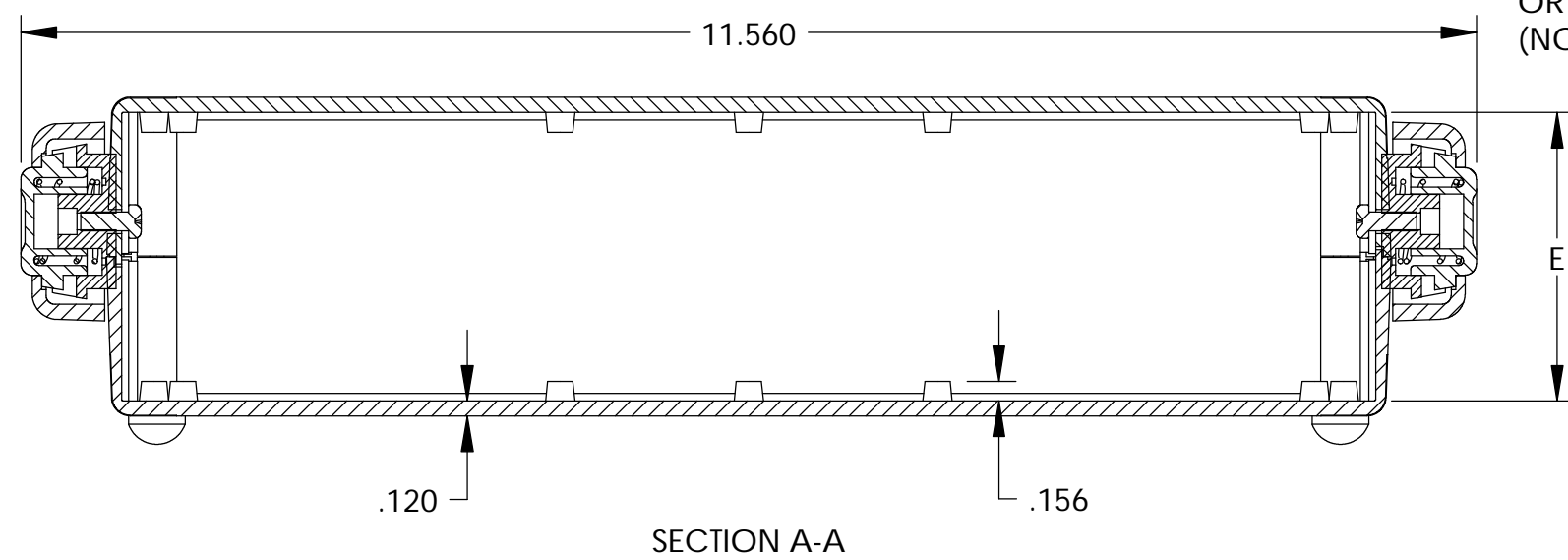
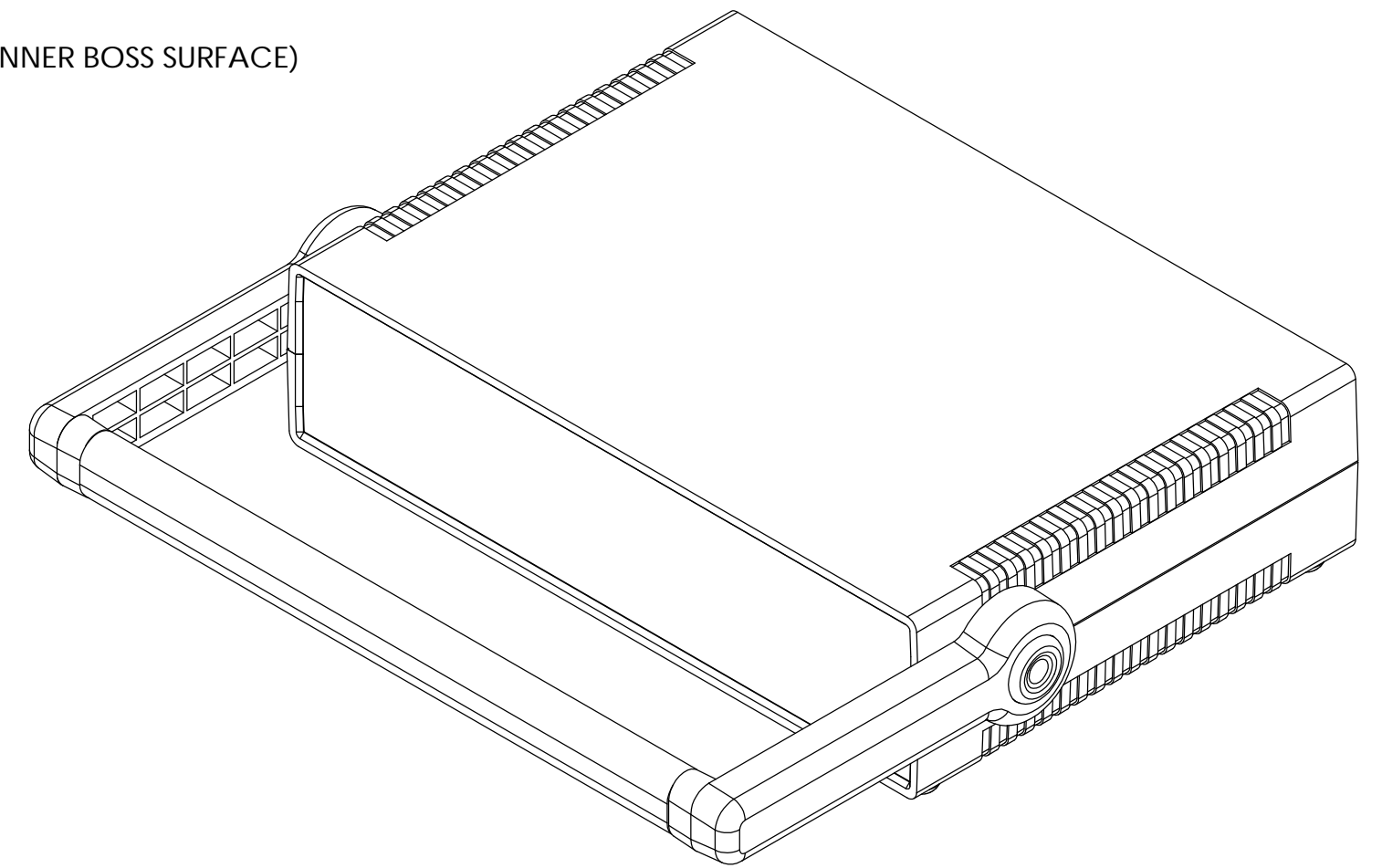
**BOTTOM COVER:**  
 $\phi .248 \nabla .050$   
 $92^\circ \text{ C-SINK } \nabla .665$  (FROM INNER BOSS SURFACE)  
 $\phi .132$  THRU  
 (FAR SIDE 4 PLCS.)

**TOP COVER:**  
 M3 BRASS INSERT (4 PLCS.)

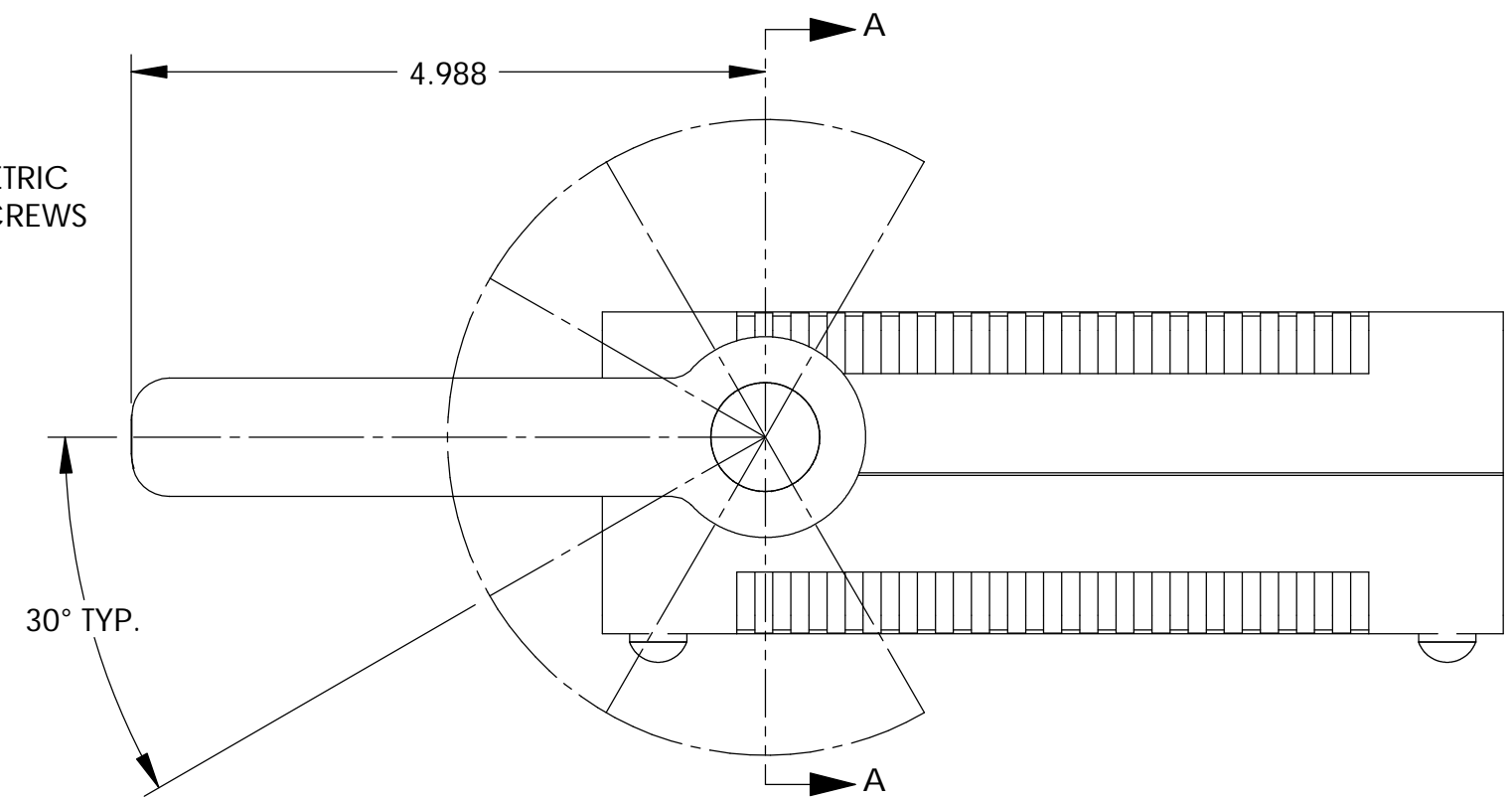


$\phi .218$  BOSS  
 $\phi .090$  HOLE  $\nabla .218$   
 (11) PLCS. BOTH COVERS

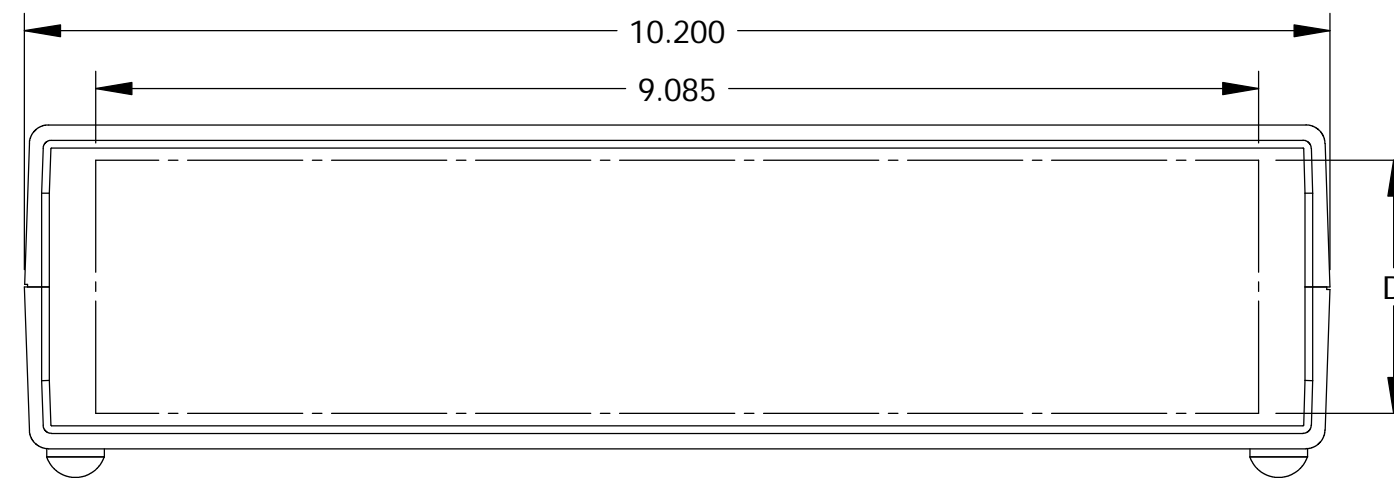
BOSSSES USE EITHER M2.5 METRIC  
 OR #4 STD. SHEET METAL SCREWS  
 (NOT SUPPLIED)



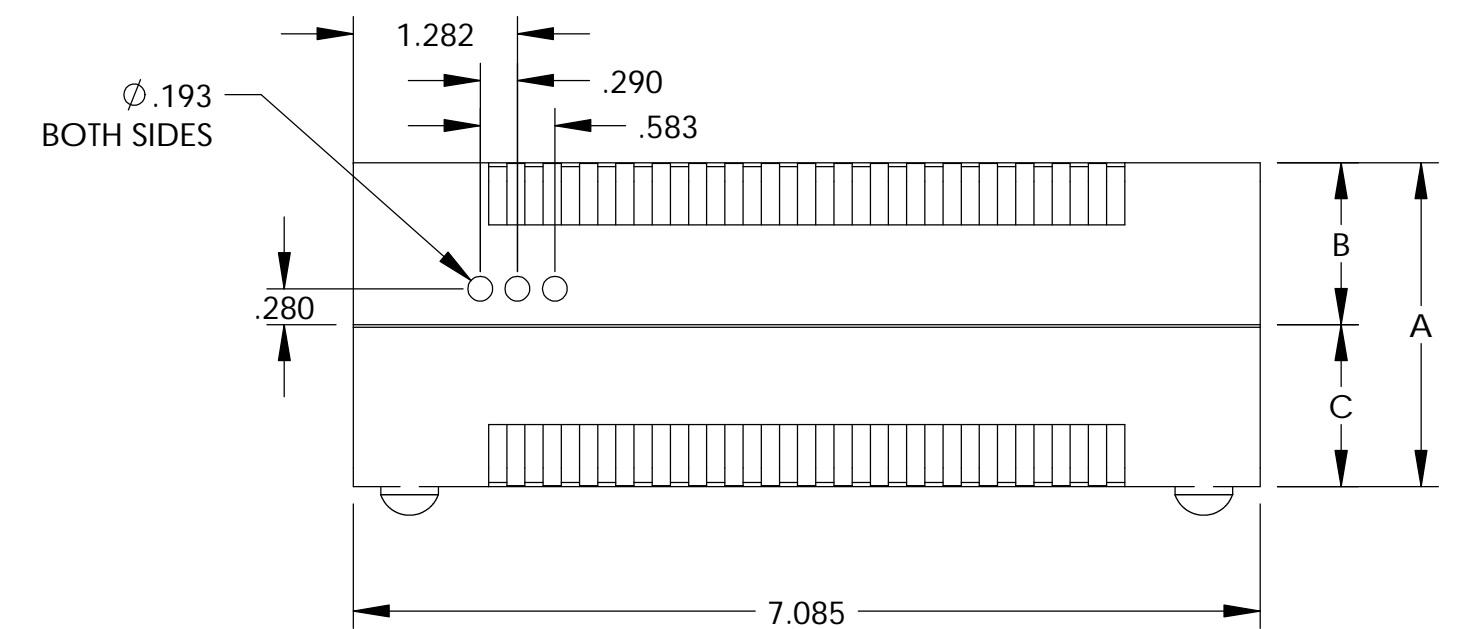
SECTION A-A



30° TYP.



HANDLE NOT SHOWN



**NOTES:**

- MATERIALS & FINISHES:
- COVERS - ABS (LIGHT GREY)  
 UL94-HB FLAMMABILITY RATING
- PANELS - ABS (BLACK)  
 UL94-HB FLAMMABILITY RATING
- HANDLE SUPPORTS - ABS (GREY)  
 UL94-HB FLAMMABILITY RATING
- HANDLE - ALUMINUM EXTRUSION (CLEAR ANODIZE)

**HARDWARE INCLUDED:**

- HANDLE KIT AND (2) M4 x 10mm PAN HEAD MOUNTING SCREWS INCLUDED
- (4) M3 x 25mm FLAT HEAD SCREWS
- (4) RUBBER FEET

ALL DIMENSIONS HAVE  $\pm .015$  TOLERANCE UNLESS OTHERWISE SPECIFIED

PART No.	TOTAL HEIGHT	COVER HEIGHT	BASE HEIGHT	USEABLE PANEL SPACE	INTERNAL CLEARANCE
	A	B	C	D	E
IP-6136	2.530	1.265	1.265	1.978	2.290
IP-6137	3.320	2.055	1.265	2.768	3.080
IP-6138	4.110	2.055	2.055	3.558	3.870

# Mouser Electronics

Authorized Distributor

Click to View Pricing, Inventory, Delivery & Lifecycle Information:

## Bud Industries:

[IP6136 handle assembly](#) [IP-6137](#) [IP6136](#) [IP6138](#) [IP-6136](#) [IP-6138](#)