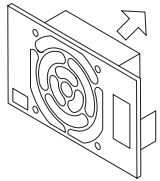
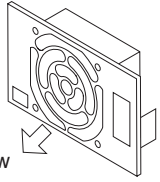
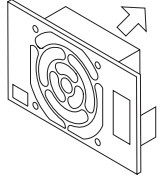
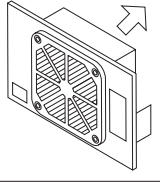
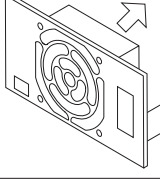
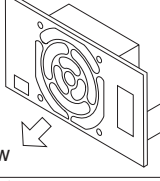
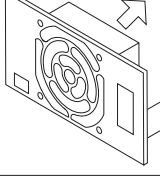
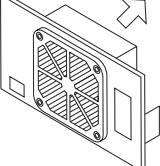


## Fan unit

★ Fan unit is prepared by the option.

## ACE Series MAX Series

Fan unit type	Matching model	External	Pin connection								
<b>FAN-AC3</b> (Standard)	<b>ACE300F</b> <Standard>		CONNECTOR = XAP-03V-1 (Mfr : J. S. T) TERMINAL = SXA-001T-P0.6 (Mfr : J. S. T) <table border="1" data-bbox="1181 744 1436 872"> <thead> <tr> <th>Pin No.</th> <th>Content</th> </tr> </thead> <tbody> <tr> <td>1</td> <td>GND</td> </tr> <tr> <td>2</td> <td>FAN ALARM</td> </tr> <tr> <td>3</td> <td>POWER</td> </tr> </tbody> </table> LENGTH OF HARNESS = 60 ± 10mm	Pin No.	Content	1	GND	2	FAN ALARM	3	POWER
Pin No.	Content										
1	GND										
2	FAN ALARM										
3	POWER										
<b>FAN-AC3-F</b> (Air flow reverse : -F)	<b>ACE300F</b> <Modification : F>										
<b>FAN-AC3-K</b> (Low speed : -K)	<b>ACE300F</b> <Modification : K>										
<b>FAN-AC3-T</b> (With filter : -T)	<b>ACE300F</b> <Modification : T>										
<b>FAN-AC4</b> (Standard)	<b>ACE450F</b> <b>ACE650F</b> <Standard>		CONNECTOR = XAP-03V-1 (Mfr : J. S. T) TERMINAL = SXA-001T-P0.6 (Mfr : J. S. T) <table border="1" data-bbox="1181 1510 1436 1638"> <thead> <tr> <th>Pin No.</th> <th>Content</th> </tr> </thead> <tbody> <tr> <td>1</td> <td>GND</td> </tr> <tr> <td>2</td> <td>FAN ALARM</td> </tr> <tr> <td>3</td> <td>POWER</td> </tr> </tbody> </table> LENGTH OF HARNESS = 55 ± 10mm	Pin No.	Content	1	GND	2	FAN ALARM	3	POWER
Pin No.	Content										
1	GND										
2	FAN ALARM										
3	POWER										
<b>FAN-AC4-F</b> (Air flow reverse : -F)	<b>ACE450F</b> <b>ACE650F</b> <Modification : F>										
<b>FAN-AC4-K</b> (Low speed : -K)	<b>ACE450F</b> <b>ACE650F</b> <Modification : K>										
<b>FAN-AC4-T</b> (With filter : -T)	<b>ACE450F</b> <b>ACE650F</b> <Modification : T>										

★ 1 Handle with care and don't add the impact such as falls or throwing to the unit.

★ 2 Exchange the unit after intercepting the input power.

★ 3 When the unit is exchanged, make sure there are not loosening of the connector and shutting the harness.

## Fan unit

★ Fan unit is prepared by the option.

## ACE Series MAX Series

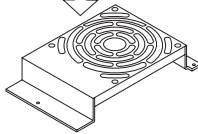
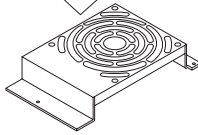
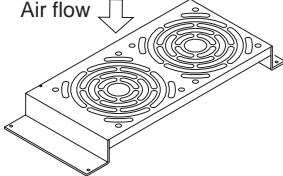
Fan unit type	Matching model	External	Pin connection								
<b>FAN-AC9</b> (Standard)	<b>ACE900F</b> <Standard>		<p>CONNECTOR = XAP-03V-1 (Mfr : J. S. T) TERMINAL = SXA-001T-P0.6 (Mfr : J. S. T)</p> <table border="1"> <thead> <tr> <th>Pin No.</th> <th>Content</th> </tr> </thead> <tbody> <tr> <td>1</td> <td>GND</td> </tr> <tr> <td>2</td> <td>FAN ALARM</td> </tr> <tr> <td>3</td> <td>POWER</td> </tr> </tbody> </table> <p>LENGTH OF HARNESS = 55 ± 10mm</p>	Pin No.	Content	1	GND	2	FAN ALARM	3	POWER
Pin No.	Content										
1	GND										
2	FAN ALARM										
3	POWER										
<b>FAN-AC9-F</b> (Air flow reverse : -F)	<b>ACE900F</b> <Modification : F>										
<b>FAN-AC9-K</b> (Low speed : -K)	<b>ACE900F</b> <Modification : K>										
<b>FAN-AC9-T</b> (With filter : -T)	<b>ACE900F</b> <Modification : T>										
<b>FAN-MA1</b> (Standard)	<b>MAX1600F</b> <b>MAX1600T</b> <Standard>		<p>CONNECTOR = XHP-3 (Mfr : J. S. T) TERMINAL = SXH-001T-P0.6 (Mfr : J. S. T)</p> <table border="1"> <thead> <tr> <th>Pin No.</th> <th>Content</th> </tr> </thead> <tbody> <tr> <td>1</td> <td>POWER</td> </tr> <tr> <td>2</td> <td>FAN ALARM</td> </tr> <tr> <td>3</td> <td>GND</td> </tr> </tbody> </table> <p>LENGTH OF HARNESS = 210 ± 15mm</p>	Pin No.	Content	1	POWER	2	FAN ALARM	3	GND
Pin No.	Content										
1	POWER										
2	FAN ALARM										
3	GND										
<b>FAN-MA1-B</b> (Long life : -B)	<b>MAX1600F</b> <b>MAX1600T</b> <Modification : B>										
<b>FAN-MA3</b> (Standard)	<b>MAX3200T</b> <Standard>										
<b>FAN-MA3-B</b> (Long life : -B)	<b>MAX3200T</b> <Modification : B>										

- ★ 1 Handle with care and don't add the impact such as falls or throwing to the unit.
- ★ 2 Exchange the unit after intercepting the input power.
- ★ 3 When the unit is exchanged, make sure there are not loosening of the connector and shutting the harness.

## Fan unit

## ADA Series

★Fan unit is prepared by the option (Only 24V).

Fan unit type	Matching model	External	Harness								
FAN-AD6-24	ADA600F-24	<p>Air flow</p> 	<table border="1"> <tr> <th colspan="2">Wire</th> </tr> <tr> <th>Color</th> <th>Content</th> </tr> <tr> <td>red</td> <td>POWER</td> </tr> <tr> <td>black</td> <td>GND</td> </tr> </table>	Wire		Color	Content	red	POWER	black	GND
Wire											
Color	Content										
red	POWER										
black	GND										
FAN-AD7-24	ADA750F-24	<p>Air flow</p> 	<table border="1"> <tr> <th colspan="2">Wire</th> </tr> <tr> <th>Color</th> <th>Content</th> </tr> <tr> <td>red</td> <td>POWER</td> </tr> <tr> <td>black</td> <td>GND</td> </tr> </table>	Wire		Color	Content	red	POWER	black	GND
Wire											
Color	Content										
red	POWER										
black	GND										
FAN-AD1-24	ADA1000F-24	<p>Air flow</p> 	<table border="1"> <tr> <th colspan="2">Wire</th> </tr> <tr> <th>Color</th> <th>Content</th> </tr> <tr> <td>red</td> <td>POWER</td> </tr> <tr> <td>black</td> <td>GND</td> </tr> </table>	Wire		Color	Content	red	POWER	black	GND
Wire											
Color	Content										
red	POWER										
black	GND										

★ 1 Handle with care and don't add the impact such as falls or throwing to the unit.

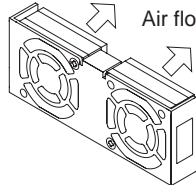
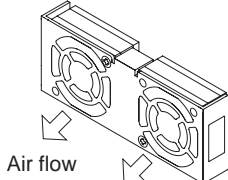
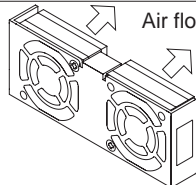
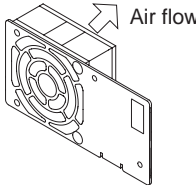
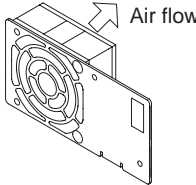
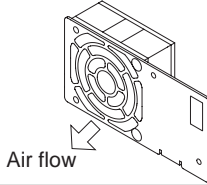
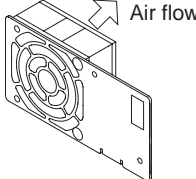
★ 2 Exchange the unit after intercepting the input power.

★ 3 When the unit is exchanged, make sure there are not loosening of terminal screw and shutting the harness.

## Fan unit

★ Fan unit is prepared by the option.

## PB Series

Fan unit type	Matching model	External	Pin connection
<b>FAN-PB3</b> (Standard)	<b>PBA300F</b> <Standard>		CONNECTOR = PHR-3 (Mfr : J. S. T) TERMINAL = SPH-002T-P0.5S (Mfr : J. S. T)
<b>FAN-PB3-F3</b> (Air flow reverse : -F3)	<b>PBA300F</b> <Modification : F3>		
<b>FAN-PB3-F4</b> (Low speed : -F4)	<b>PBA300F</b> <Modification : F4>		
<b>FAN-PB6</b> (Standard)	<b>PBA600F</b> <Standard>		CONNECTOR = XAP-03V-1 (Mfr : J. S. T) TERMINAL = SXA-001T-P0.6 (Mfr : J. S. T)
<b>FAN-PB6-F1</b> (Long life : -F1)	<b>PBA600F</b> <Modification : F1>		
<b>FAN-PB6-F3</b> (Air flow reverse : -F3)	<b>PBA600F</b> <Modification : F3>		
<b>FAN-PB6-F4</b> (Low speed : -F4)	<b>PBA600F</b> <Modification : F4>		

Pin No.	Content
1	GND
2	FAN ALARM
3	POWER

LENGTH OF HARNESS = 40 ± 5mm
---------------------------------

LENGTH OF HARNESS = 55 ± 7mm
---------------------------------

- ★ 1 Handle with care and don't add the impact such as falls or throwing to the unit.
- ★ 2 Exchange the unit after intercepting the input power.
- ★ 3 When the unit is exchanged, make sure there are not loosening of the connector and shutting the harness.

## Fan unit

## PB Series

★ Fan unit is prepared by the option.

Fan unit type	Matching model	External	Pin connection								
<b>FAN-PB10</b> (Standard)	<b>PBA1000F</b> <Standard>		<p>CONNECTOR = XAP-03V-1 (Mfr : J. S. T) TERMINAL = SXA-001T-P0.6 (Mfr : J. S. T)</p> <table border="1"> <thead> <tr> <th>Pin No.</th> <th>Content</th> </tr> </thead> <tbody> <tr> <td>1</td> <td>GND</td> </tr> <tr> <td>2</td> <td>FAN ALARM</td> </tr> <tr> <td>3</td> <td>POWER</td> </tr> </tbody> </table> <p>LENGTH OF HARNESS = 55 ± 7mm</p>	Pin No.	Content	1	GND	2	FAN ALARM	3	POWER
Pin No.	Content										
1	GND										
2	FAN ALARM										
3	POWER										
<b>FAN-PB10-F1</b> (Long life : -F1)	<b>PBA1000F</b> <Modification : F1>										
<b>FAN-PB10-F3</b> (Air flow reverse : -F3)	<b>PBA1000F</b> <Modification : F3>										
<b>FAN-PB10-F4</b> (Low speed : -F4)	<b>PBA1000F</b> <Modification : F4>										
<b>FAN-PB15</b> (Standard)	<b>PBA1500F</b> <Standard>										
<b>FAN-PB15-F1</b> (Long life : -F1)	<b>PBA1500F</b> <Modification : F1>										
<b>FAN-PB15-F3</b> (Air flow reverse : -F3)	<b>PBA1500F</b> <Modification : F3>										
<b>FAN-PB15-F4</b> (Low speed : -F4)	<b>PBA1500F</b> <Modification : F4>										

- ★ 1 Handle with care and don't add the impact such as falls or throwing to the unit.
- ★ 2 Exchange the unit after intercepting the input power.
- ★ 3 When the unit is exchanged, make sure there are not loosening of the connector and shutting the harness.

# Mouser Electronics

Authorized Distributor

Click to View Pricing, Inventory, Delivery & Lifecycle Information:

## Cosel:

[FAN-AC4-K](#) [FAN-AC4-F](#) [FAN-AC9-F](#) [FAN-MA3](#) [FAN-PB10-F1](#) [FAN-AC3-F](#) [FAN-PB3](#) [FAN-AC9](#) [FAN-AD1-24](#)  
[FAN-PB10-F3](#) [FAN-AC9-K](#) [FAN-PB15](#) [FAN-PB15-F3](#) [FAN-PB3-F4](#) [FAN-PB6-F1](#) [FAN-PB15-F1](#) [FAN-AD6-24](#) [FAN-](#)  
[PB6](#) [FAN-PB6-F3](#) [FAN-AD7-24](#) [FAN-MA1](#) [FAN-AC4](#) [FAN-PB3-F3](#) [FAN-AC3-T](#) [FAN-MA1-B](#) [FAN-AC3](#) [FAN-AC3-K](#)  
[FAN-AC9-T](#) [FAN-PB10](#) [FAN-PB10-F4](#) [FAN-PB6-F4](#) [FAN-AC4-T](#) [FAN-MA3-B](#) [FAN-PB15-F4](#) [FAN-PA6](#)