

# Customer Information Sheet

DRAWING No.: M20-997XXXX

SHEET 2 OF 2

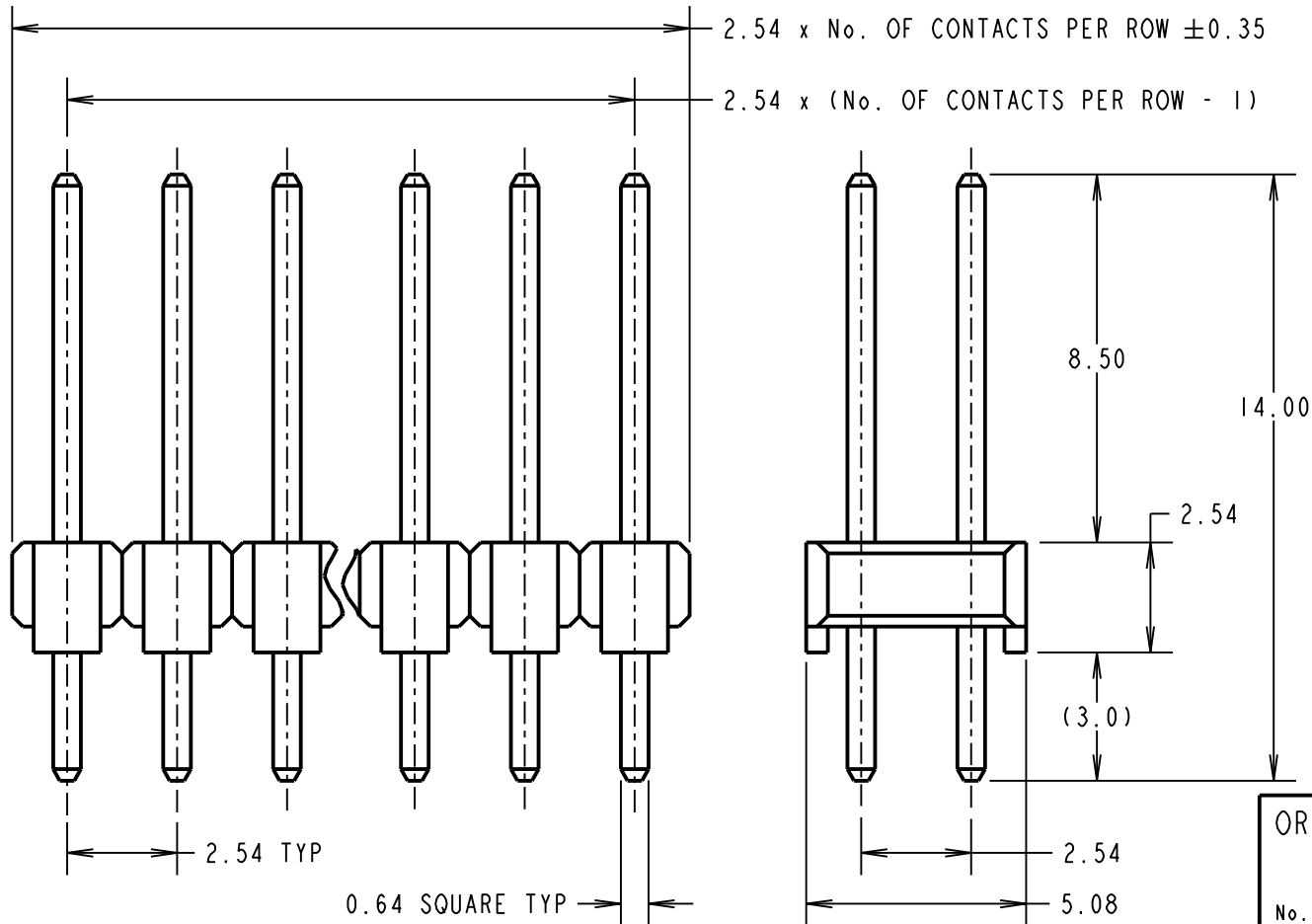
IF IN DOUBT - ASK

©

NOT TO SCALE

THIRD ANGLE PROJECTION

ALL DIMENSIONS IN mm



**SPECIFICATION:**  
**MATERIAL:**  
 MOULDING = PA6T UL94V-0, BLACK  
 PINS = BRASS  
**FINISH:**  
 PINS (OVER NICKEL):  
 45 = GOLD  
 46 = 100% TIN  
**ELECTRICAL:**  
 CURRENT RATING = 3A MAX  
 CONTACT RESISTANCE = 25mΩ MAX (GOLD),  
 30mΩ MAX (TIN)  
 INSULATION RESISTANCE = 1,000MΩ MIN  
 DIELECTRIC STRENGTH = 750V AC/DC  
**MECHANICAL:**  
 DURABILITY = 300 OPERATIONS (GOLD),  
 50 OPERATIONS (TIN)  
**ENVIRONMENTAL:**  
 TEMPERATURE RANGE = -40°C TO +105°C  
**PACKING:**  
 BAG  
 FOR COMPLETE SPECIFICATION, SEE COMPONENT SPECIFICATION C001XX (LATEST ISSUE)

- NOTES:**
1. ALL TOLERANCES ARE ±0.25mm UNLESS OTHERWISE STATED.
  2. RECOMMENDED PCB MOUNTING HOLE SIZE = Ø1.00mm.
  3. SUITABLE FOR USE WITH BOTTOM ENTRY SOCKETS.

**ORDER CODE:**  
**M20-997XXXX**

No. OF CONTACTS PER ROW: 02 TO 20, 25, 36, 40

**FINISH:**  
 45 = GOLD  
 46 = 100% TIN

WJP	15	01.08.17	20398
NAME	ISS.	DATE	C/NOTE
APPROVED: W. J. PRESTON			
CHECKED: M. PLESTED			
DRAWN: K. SHIER			
CUSTOMER REF.:			
ASSEMBLY DRG:			

**HARWIN**

www.harwin.com  
 technical@harwin.com

THIS DRAWING AND ANY INFORMATION OR DESCRIPTIVE MATTER SET OUT HEREON ARE CONFIDENTIAL AND COPYRIGHT PROPERTY OF THE HARWIN GROUP AND MUST NOT BE DISCLOSED, LOANED, COPIED OR USED FOR MANUFACTURING, TENDERING OR FOR ANY OTHER PURPOSE WITHOUT THEIR WRITTEN PERMISSION.

**TOLERANCES**  
 X = ±1mm  
 X.X = ±0.50mm  
 X.XX = ±0.10mm  
 X.XXX = ±0.01mm  
 ANGLES = ±5°  
 UNLESS STATED

**MATERIAL:**  
 SEE ABOVE

**FINISH:**  
 SEE ABOVE

**S/AREA:**  
 mm<sup>2</sup>

**TITLE:**  
 2.54mm PITCH DIL VERTICAL PIN HEADER ASSEMBLY (8.5mm)

**DRAWING NUMBER:**  
**M20-997XXXX**

SHT 2 OF 2