

# 97 series crimp type how to order

Example of part number for crimp type connectors is given below.

**97 - 4101 A - 28 - 21 S Y (621)**

**Series Number**  
97 - designates AMPHENOL 97 Series

**Shell Type**  
4100 Wall Receptacle  
4101 Cable Receptacle  
4102 Box Receptacle  
4106 Straight Plug  
4107 Quick Disconnect Plug  
4108 Angle Plug  
  
Note: "4" in part number designates crimp contact rear release connector

**Shell Construction**  
A - Solid Backshell  
B - Split Backshell


**Shell Size**  
10SL, 12S, 14S, 16S, 18, 20, 22, 24, 28, 32, 36

**Insert Configuration Number**  
See insert availability listing - page 21, and see insert arrangement illustrations - pages 22 and 23.

**Shell Finish Suffix**  
Omit for standard O.D. cadmium finish  
(604) Gray anodized  
(608) Black anodized  
(624) Green zinc alloy  
(639) Clear cadmium  
(640) Conductive black zinc alloy  
(689) Electroless nickel

OR

**RoHS Compliant Suffix**  
(621) Black zinc alloy plating



**Alternate Insert Positions**  
Omit for standard position  
W, X, Y or Z for alternate positions, depending on insert (see page 21 for positions available)

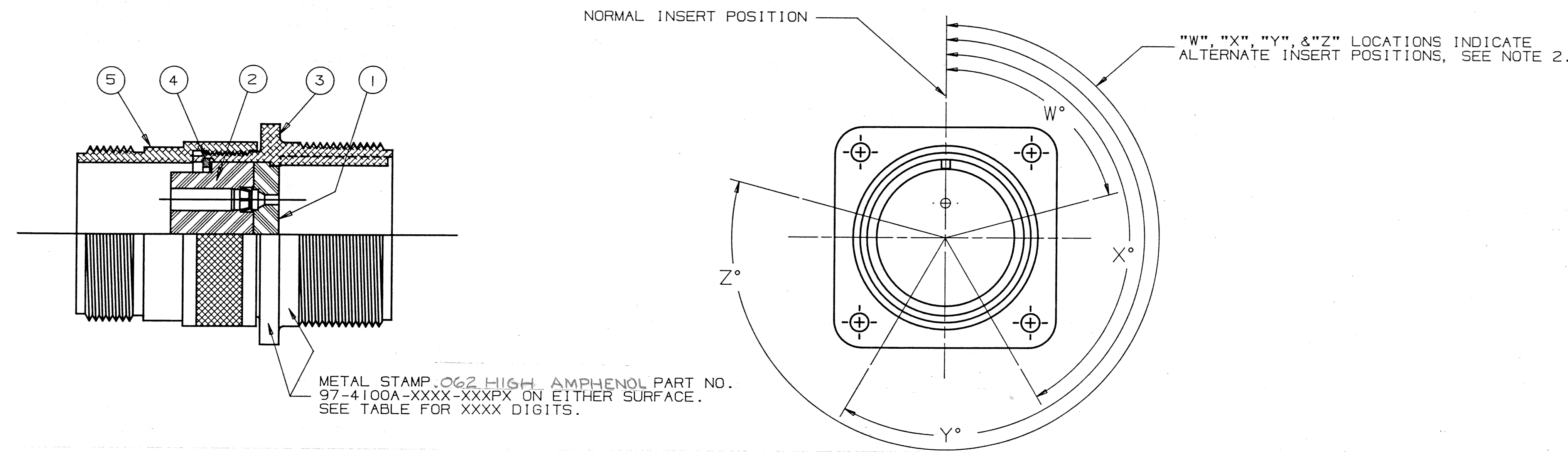
**Contact Type\***  
P = Pin  
S = Socket

\* Contacts are not supplied with connectors, and must be ordered separately. See following pages for contact information.

Note:  
Accessories for 97 Series Connectors should be ordered with matching connector plating. See accessory pages 33-39.

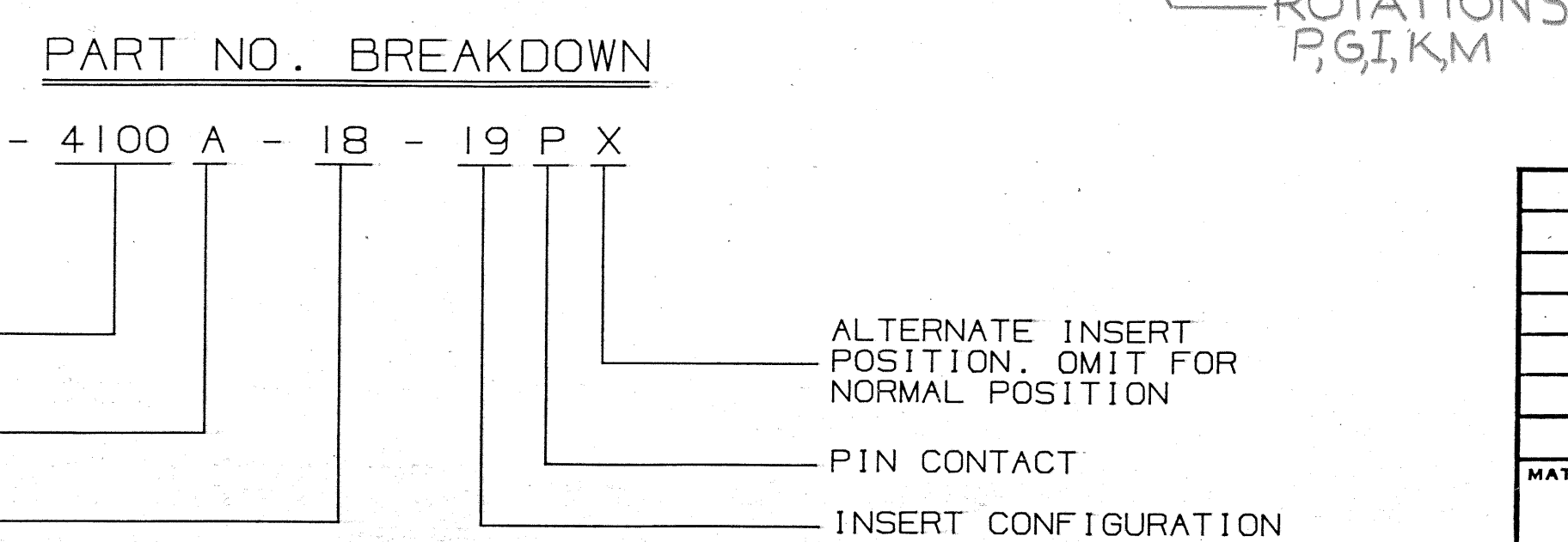
NOTICE—These drawings, specifications, or other data (1) are, and remain the property of Allied Corporation (2) must be returned upon request; and (3) are confidential and are not to be disclosed to any person other than those to whom they are given by Allied Corporation. The furnishing of these drawings, specifications, or other data by Allied Corporation, or by any other person, to anyone for any purpose is not to be regarded by implication or otherwise as in any manner licensing, granting rights or permitting such holder or any other person to manufacture, use or sell any product, process or design, patented or otherwise, that may in any way be related to or disclosed by said drawings, specifications or other data.

REVISIONS				
SYM	ZONE	DESCRIPTION	DATE	APPROVED
J		REDRAWN WITH NO CHANGE (WAS 2 SHT'S.)	5-20-86	PROVINSKY
K		BOD DOCUMENT NOS. INCORPORATED CHANGED FSCM NO. TO 77820 ECN: 75005-342	6/30/04	[Signature]
L		CHANGE BLOCK CHANGE ONLY: SHELL WAS 10-617700-XXI (NO SLOT) ECN: 90113	1-9-86	[Signature]



AMPHENOL PART NO	SHELL SIZE	INSERT CONFIG.	ITEM 1 PIN INSERT REQ'D.	ITEM 2 RETENTION DISC REQ'D.	ITEM 3 RECEPTACLE SHELL REQ'D.	ITEM 4 RETAINING RING REQ'D.	ITEM 5 BACK SHELL REQ'D.	BENDIX NO.	ITEM 7	ITEM 8	ALTERNATE INSERT POSITIONS			
											W°	X°	Y°	Z°
97-4100A-10SL-3PX	10SL	-3	97-410SL-3PF	97-410SL-3PR	97-82-133 (639)	97-94-10SL	97-93-12 (639)	10-824002-3C			---	---	---	---
97-4100A-10SL-4PX	10SL	-4	97-410SL-4PF	97-410SL-4PR	97-82-133 (639)	97-94-10SL	97-93-12 (639)	002-4			---	---	---	---
97-4100A-12S-3PX	12S	-3	97-412S-3PF	97-412S-3PR	97-82-12S (639)	97-94-12	97-93-12 (639)	003-3			70°	145°	215°	290°
97-4100A-14S-1PX	14S	-1	97-414S-1PF	97-414S-1PR	97-82-14S (639)	97-94-14	97-93-14 (639)	006-1			---	---	---	---
97-4100A-14S-2PX	14S	-2	97-414S-2PF	97-414S-2PR	97-82-14S (639)	97-94-14	97-93-14 (639)	006-2			---	120°	240°	---
97-4100A-14S-5PX	14S	-5	97-414S-5PF	97-414S-5PR	97-82-14S (639)	97-94-14	97-93-14 (639)	006-5			---	110°	---	---
97-4100A-14S-7PX	14S	-7	97-414S-7PF	97-414S-7PR	97-82-14S (639)	97-94-14	97-93-14 (639)	006-7			90°	180°	270°	---
97-4100A-16S-1PX	16S	-1	97-416S-1PF	97-416S-1PR	97-82-16S (639)	97-94-16	97-93-16 (639)	008-1			80°	---	---	280°
97-4100A-16S-8PX	16S	-8	97-416S-8PF	97-416S-8PR	97-82-16S (639)	97-94-16	97-93-16 (639)	008-8			---	170°	265°	---
97-4100A-18-1PX	18	-1	97-418-1PF	97-418-1PR	97-82-18 (639)	97-94-18	97-93-18 (639)	010-1			70°	145°	215°	290°
97-4100A-18-4PX	18	-4	97-418-4PF	97-418-4PR	97-82-18 (639)	97-94-18	97-93-18 (639)	010-4			35°	110°	250°	325°
97-4100A-18-11PX	18	-11	97-418-11PF	97-418-11PR	97-82-18 (639)	97-94-18	97-93-18 (639)	010-11			---	170°	265°	---
97-4100A-18-12PX	18	-12	97-418-12PF	97-418-12PR	97-82-18 (639)	97-94-18	97-93-18 (639)	010-12			80°	---	---	280°
97-4100A-18-19PX	18	-19	97-418-19PF	97-418-19PR	97-82-18 (639)	97-94-18	97-93-18 (639)	010-19			---	120°	240°	---
97-4100A-18-20PX	18	-20	97-418-20PF	97-418-20PR	97-82-18 (639)	97-94-18	97-93-18 (639)	010-20			90°	180°	270°	---
97-4100A-20-4PX	20	-4	97-420-4PF	97-420-4PR	97-82-20 (639)	97-94-20	97-93-20 (639)	011-4			45°	110°	250°	---
97-4100A-20-7PX	20	-7	97-420-7PF	97-420-7PR	97-82-20 (639)	97-94-20	97-93-20 (639)	011-7			80°	110°	250°	280°
97-4100A-20-27PX	20	-27	97-420-27PF	97-420-27PR	97-82-20 (639)	97-94-20	97-93-20 (639)	011-27			35°	110°	250°	325°
97-4100A-22-14PX	22	-14	97-422-14PF	97-422-14PR	97-82-22 (639)	97-94-22	97-93-22 (639)	012-14			80°	110°	250°	280°
97-4100A-24-2PX	24	-2	97-424-2PF	97-424-2PR	97-82-24 (639)	97-94-24	97-93-24 (639)	013-2			80°	---	---	280°
97-4100A-28-9PX	28	-9	97-428-9PF	97-428-9PR	97-82-28 (639)	97-94-28	97-93-28 (639)	014-9			80°	110°	250°	280°
97-4100A-28-11PX	28	-11	97-428-11PF	97-428-11PR	97-82-28 (639)	97-94-28	97-93-28 (639)	014-11			80°	110°	250°	280°
97-4100A-28-12PX	28	-12	97-428-12PF	97-428-12PR	97-82-28 (639)	97-94-28	97-93-28 (639)	014-12			90°	180°	270°	---
97-4100A-28-20PX	28	-20	97-428-20PF	97-428-20PR	97-82-28 (639)	97-94-28	97-93-28 (639)	014-20			80°	110°	250°	280°
97-4100A-28-21PX	28	-21	97-428-21PF	97-428-21PR	97-82-28 (639)	97-94-28	97-93-28 (639)	014-21			80°	110°	250°	280°
97-4100A-32-8PX	32	-8	97-432-8PF	97-432-8PR	97-82-32 (639)	97-94-32	97-93-32 (639)	015-8			80°	125°	235°	280°
97-4100A-32-414PX	32	-414	97-432-414PF	97-432-414PR	97-82-32 (639)	97-94-32	97-93-32 (639)	015-AC			80°	110°	250°	280°
97-4100A-36-10PX	36	-10	97-436-10PF	97-436-10PR	97-82-36 (639)	97-94-36	97-93-36 (639)	016-10 (V)			80°	125°	235°	280°

- NOTES!
- METAL STAMP CONNECTOR WITH SPECIFIC CONTROL NUMBER (DATE CODE PER 9-8909)
  - SUFFIX IN PART NO. INDICATES ALTERNATE INSERT POSITIONS. NO SUFFIX REQUIRED FOR NORMAL INSERT POSITION.
  - PACK IN POLYCEL BAG OR EQUIVALENT AND IDENTIFY—  
"AMPHENOL"  
AMPHENOL PART NO.  
MONTH AND YEAR MANUFACTURED  
QUANTITY AND UNIT (EACH)



ITEM NO.	PART OR IDENTIFYING NO.	QTY REQD.	NOMENCLATURE OR DESCRIPTION
LIST OF MATERIALS OR PARTS LIST			
	DRAWN T. MAXWELL	DATE 10-10-77	Commercial & Industrial Operations Lisle, IL 60532
	CHECKED W. W.	11-9-77	
	APPROVED W. KAILUS	10-10-77	
	EPA/EAR DOR 2006B-1		
	ENGINEERING RELEASE		
	NO. 1049 A15039	1-10-78	TITLE
	INDUSTRIAL ENGRG APPD. J. HODSHIRE	1-10-78	WALL MOUNT RECEPTACLE ASSEMBLY REAR RELEASE WITH PIN INSERT
	DESIGN ACTIVITY APPD.		
	EXPERIMENTAL NO.		
FINAL ASSEMBLY	NEXT USED ON		
MATERIAL			
FINISH			
	SIZE D	FSCM NO. 77820	10-824000/619-P
	SCALE 2:1	WT: EST.	ACT.
		SHEET	OF

# Mouser Electronics

Authorized Distributor

Click to View Pricing, Inventory, Delivery & Lifecycle Information:

## Amphenol:

[97-4101A-16S-1S662](#) [97-4107A-28-21P](#) [97-4106A14S5S](#) [97-4106B32414P](#) [97-4106A-16S-1P662](#) [97-4106A1819P621](#) [97-4102A-14S-5S](#) [97-4106A-16S-1S](#) [97-4106A-16S-1P](#) [97-4106A-20-27S](#) [97-4106A-20-27P](#) [97-4106A-28-21P](#) [97-4106A-28-21S](#) [97-4106A-20-7S](#) [97-4102A-18-1P](#) [97-4106A-18-4S](#) [97-4106A-16S-8S](#) [97-4106A-18-4P](#) [97-4102A-18-1S](#) [97-4106A-14S-5P](#) [97-4106A-18-1P](#) [97-4106A-18-1S](#) [97-4106A-14S-2P](#) [97-4102A-22-14S](#) [97-4106A-22-14P](#) [97-4106A-28-12P](#) [97-4102A-20-27P](#) [97-4106A-22-14S](#) [97-4102A-22-14P](#) [97-4102A-20-27S](#) [97-4106A-18-19P](#) [97-4106A-24-2S](#) [97-4102A-16S-1S](#) [97-4102A-28-21S](#) [97-4106A-14S-1P](#) [97-4102A-28-12S](#) [97-4102A-14S-2S](#) [97-4106A-20-29P](#) [97-4100A-14S-2P](#) [97-4100A-14S-2P\(662\)](#) [97-4100A-14S-5P](#) [97-4100A-14S-5P\(662\)](#) [97-4100A-14S-5S](#) [97-4100A-14S-5S\(621\)](#) [97-4100A-14S-5S\(662\)](#) [97-4100A-16S-1P\(621\)](#) [97-4100A-16S-1P\(662\)](#) [97-4100A-16S-8S\(662\)](#) [97-4100A-18-11P](#) [97-4100A-18-11S](#) [97-4100A-18-12P](#) [97-4100A-18-12P\(662\)](#) [97-4100A-18-12S](#) [97-4100A-18-12S\(662\)](#) [97-4100A-18-19P\(662\)](#) [97-4100A-18-1P](#) [97-4100A-18-1P\(621\)](#) [97-4100A-18-1P\(662\)](#) [97-4100A-18-1S](#) [97-4100A-18-1S\(662\)](#) [97-4100A-18-20S](#) [97-4100A-18-20S\(662\)](#) [97-4100A-18-4P](#) [97-4100A-18-4P\(662\)](#) [97-4100A-18-4S](#) [97-4100A-18-4S\(662\)](#) [97-4100A-20-27P\(662\)](#) [97-4100A-20-27S](#) [97-4100A-20-27S\(662\)](#) [97-4100A-20-7P](#) [97-4100A-20-7P\(621\)](#) [97-4100A-20-7P\(662\)](#) [97-4100A-20-7S](#) [97-4100A-20-7S\(662\)](#) [97-4100A-22-14P](#) [97-4100A-22-14S](#) [97-4100A-22-14S\(662\)](#) [97-4100A-24-2P\(662\)](#) [97-4100A-24-2S\(662\)](#) [97-4100A-28-12P](#) [97-4100A-28-12P\(662\)](#) [97-4100A-28-12S](#) [97-4100A-28-12S\(662\)](#) [97-4100A-28-20S](#) [97-4100A-28-20S\(662\)](#) [97-4100A-28-21P](#) [97-4100A-28-21P\(662\)](#) [97-4100A-28-21S](#) [97-4100A-36-10S](#) [97-4101A-12S-3S\(662\)](#) [97-4101A-14S-1S](#) [97-4101A-14S-2P](#) [97-4101A-14S-2P\(662\)](#) [97-4101A-14S-2S](#) [97-4101A-14S-5P\(662\)](#) [97-4101A-14S-5S](#) [97-4101A-14S-5S\(662\)](#) [97-4101A-14S-7S](#) [97-4101A-16S-1P\(621\)](#) [97-4101A-16S-1P\(662\)](#)