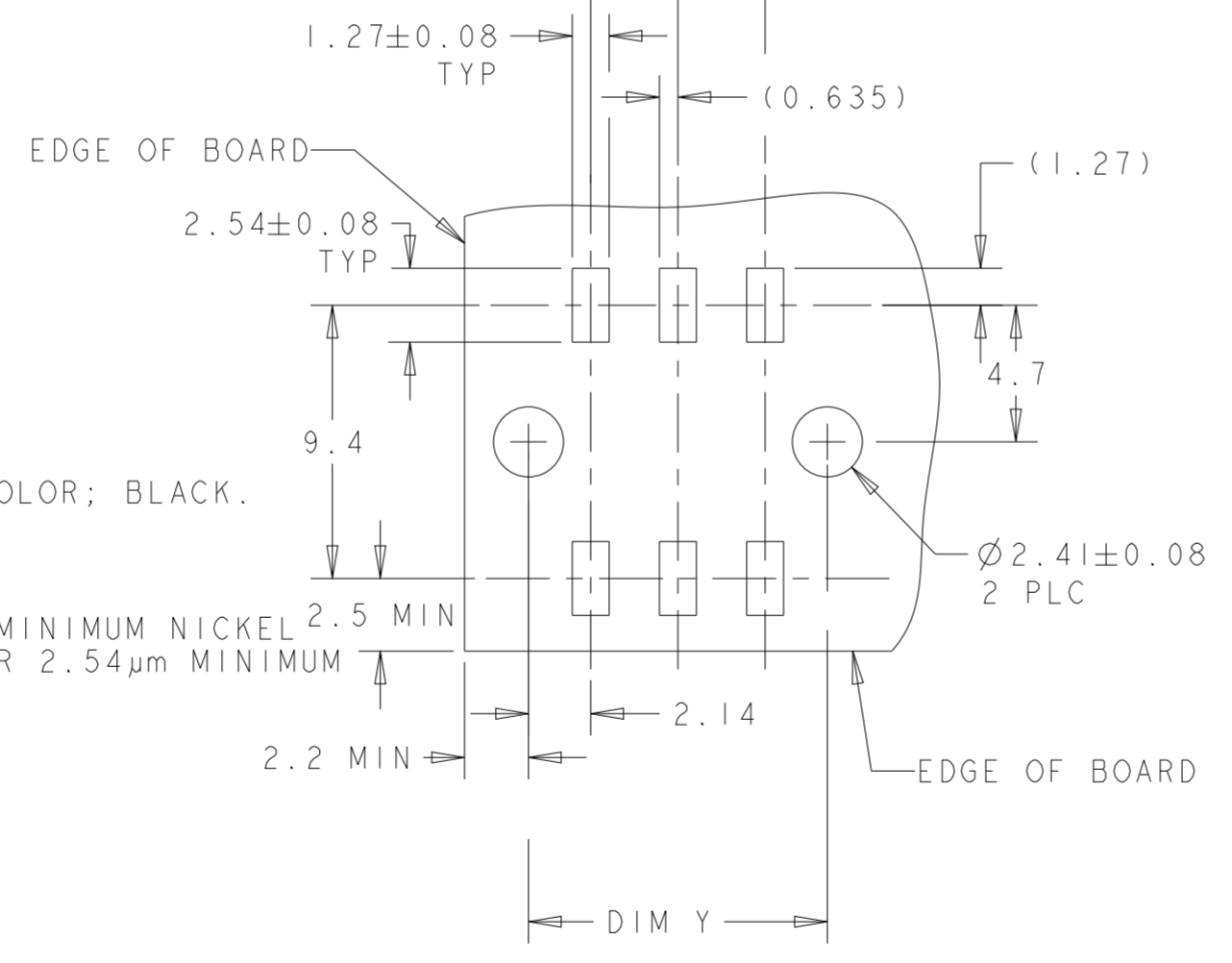
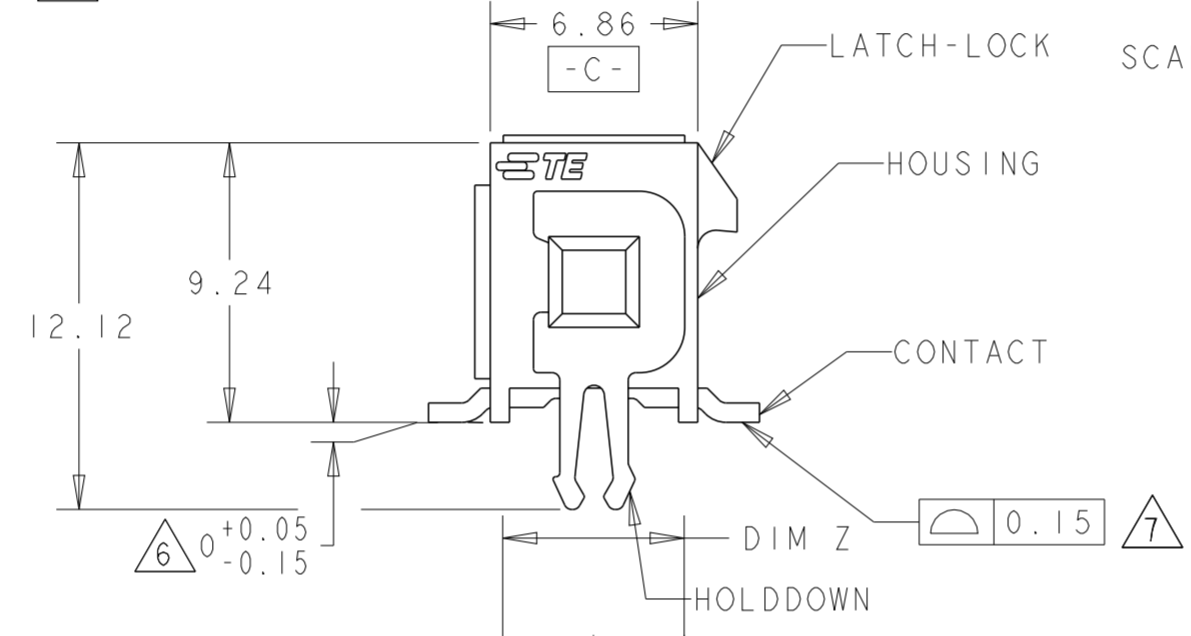
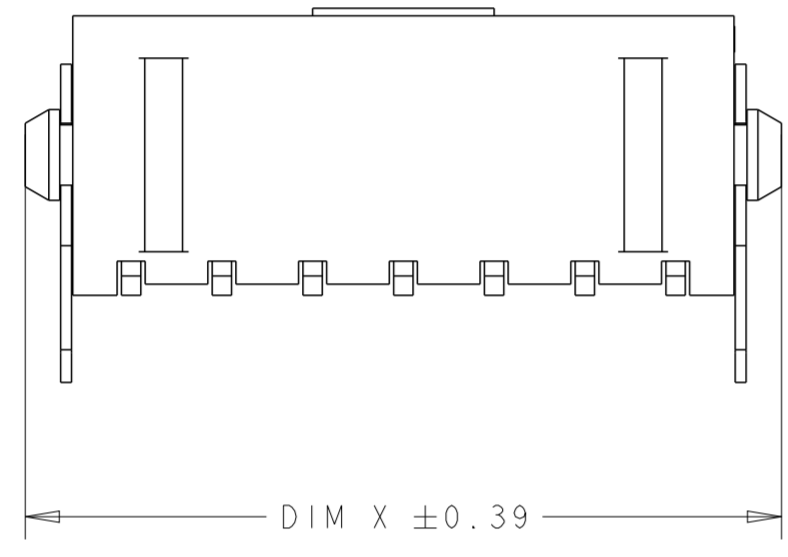
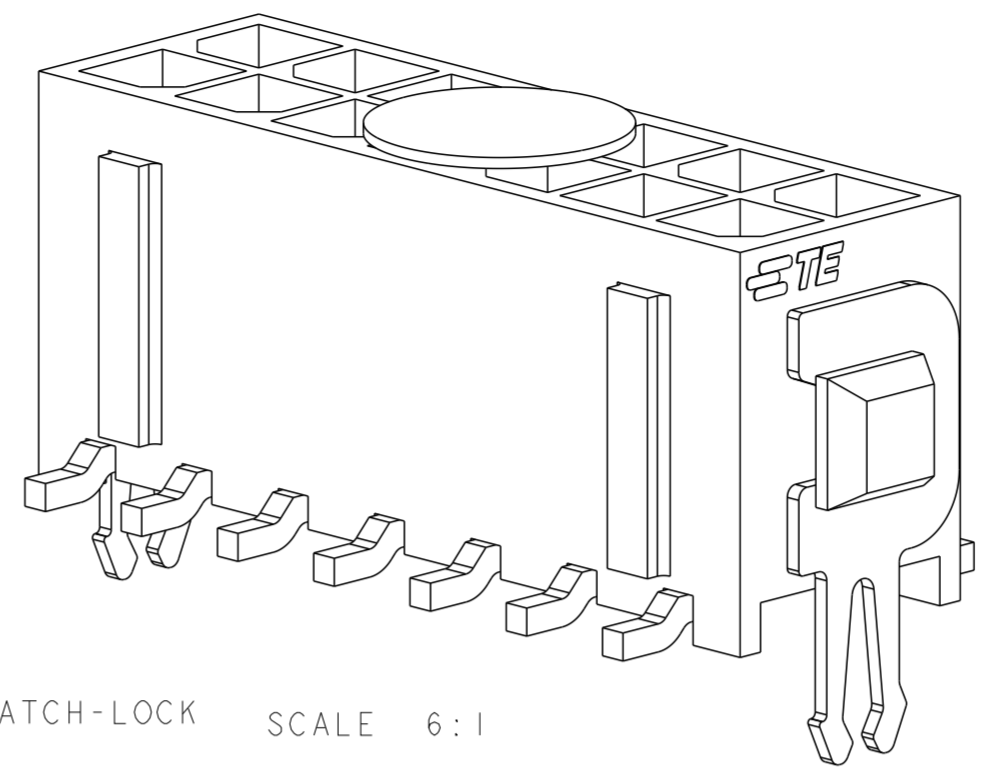
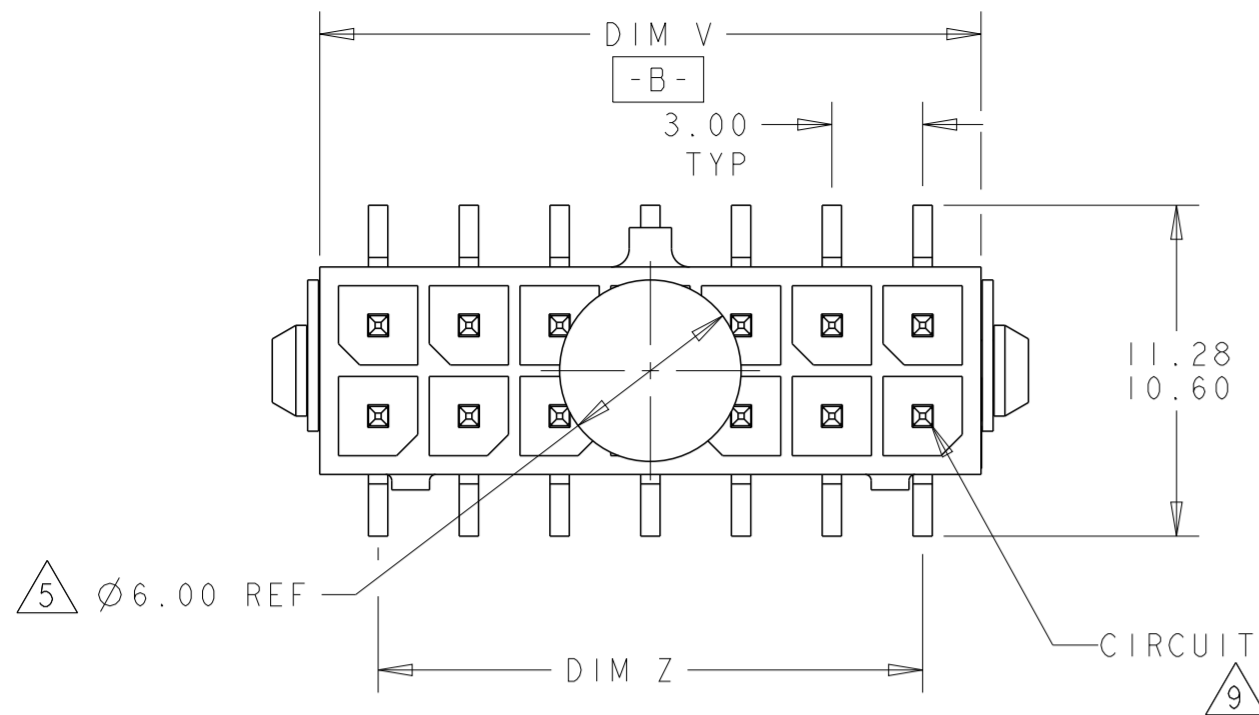


THIS DRAWING IS UNPUBLISHED. RELEASED FOR PUBLICATION 20
 © COPYRIGHT 20 BY - ALL RIGHTS RESERVED.

REVISIONS					
P	LTR	DESCRIPTION	DATE	DWN	APVD
	J2	REVISED PER ECR-17-017609	04DEC2017	JB	DZ



FINISH	DIM V	DIM Y	DIM Z	DIM X	NO. OF POSN.	PART NUMBER
8	36.86	37.30	33.00	40.00	24	5-794634-4
8	33.86	34.30	30.00	37.00	22	5-794634-2
8	30.86	31.30	27.00	34.00	20	5-794634-0
8	27.86	28.30	24.00	31.00	18	4-794634-8
8	24.86	25.30	21.00	28.00	16	4-794634-6
8	21.86	22.30	18.00	25.00	14	4-794634-4
8	18.86	19.30	15.00	22.00	12	4-794634-2
8	15.86	16.30	12.00	19.00	10	4-794634-0
8	12.86	13.30	9.00	16.00	8	3-794634-8
8	9.86	10.30	6.00	13.00	6	3-794634-6
8	6.86	7.30	3.00	10.00	4	3-794634-4
8	3.86	4.30	-	7.00	2	3-794634-2
2	36.86	37.30	33.00	40.00	24	2-794634-4
2	33.86	34.30	30.00	37.00	22	2-794634-2
2	30.86	31.30	27.00	34.00	20	2-794634-0
2	27.86	28.30	24.00	31.00	18	1-794634-8
2	24.86	25.30	21.00	28.00	16	1-794634-6
2	21.86	22.30	18.00	25.00	14	1-794634-4
2	18.86	19.30	15.00	22.00	12	1-794634-2
2	15.86	16.30	12.00	19.00	10	1-794634-0
2	12.86	13.30	9.00	16.00	8	794634-8
2	9.86	10.30	6.00	13.00	6	794634-6
2	6.86	7.30	3.00	10.00	4	794634-4
2	3.86	4.30	-	7.00	2	794634-2

- 1 MATERIAL;
CONTACTS - BRASS.
HOUSING - UL 94V-0 RATED HIGH TEMP NYLON, COLOR; BLACK.
HOLDDOWNS - PHOSPHOR BRONZE.
- 2 PLATING;
CONTACTS - 0.38µm MINIMUM GOLD OVER 2.54µm MINIMUM NICKEL
ON MATING AREA. 2.54µm TIN-LEAD MINIMUM OVER 2.54µm MINIMUM
ON SOLDER TAILS.
HOLDDOWNS - 2.54µm TIN-LEAD.
- 4 RECOMMENDED PC BOARD THICKNESS OF 1.57.
- 5 KAPTON VACUUM PICK UP BUTTON.
- 6 DIMENSION APPLIES TO SOLDER TAIL SURFACES
AND STANDOFF SURFACES.
- 7 ALL SOLDER TAILS.
- 8 PLATING;
CONTACTS - 0.38µm MINIMUM GOLD OVER 2.54µm MINIMUM NICKEL
ON MATING AREA. 2.54µm MATTE TIN MINIMUM OVER 2.54µm MINIMUM
ON SOLDER TAILS.
HOLDDOWNS - 2.54µm MATTE TIN.
- 9 CIRCUIT NUMBER 1 IS LOCATED AT THE BOTTOM RIGHT
WITH THE LATCH-LOCK ON TOP LOOKING INTO THE CAVITIES

SUPERSEDED BY 5-794634-4	2	36.86	37.30	33.00	40.00	24	2-794634-4
SUPERSEDED BY 5-794634-2	2	33.86	34.30	30.00	37.00	22	2-794634-2
SUPERSEDED BY 5-794634-0	2	30.86	31.30	27.00	34.00	20	2-794634-0
SUPERSEDED BY 4-794634-8	2	27.86	28.30	24.00	31.00	18	1-794634-8
SUPERSEDED BY 4-794634-6	2	24.86	25.30	21.00	28.00	16	1-794634-6
SUPERSEDED BY 4-794634-4	2	21.86	22.30	18.00	25.00	14	1-794634-4
SUPERSEDED BY 4-794634-2	2	18.86	19.30	15.00	22.00	12	1-794634-2
SUPERSEDED BY 4-794634-0	2	15.86	16.30	12.00	19.00	10	1-794634-0
SUPERSEDED BY 3-794634-8	2	12.86	13.30	9.00	16.00	8	794634-8
SUPERSEDED BY 3-794634-6	2	9.86	10.30	6.00	13.00	6	794634-6
SUPERSEDED BY 3-794634-4	2	6.86	7.30	3.00	10.00	4	794634-4
SUPERSEDED BY 3-794634-2	2	3.86	4.30	-	7.00	2	794634-2

THIS DRAWING IS A CONTROLLED DOCUMENT.

DWN: K. WHITAKER 19MAR2003
 CHK: C. JONES 19MAR2003
 APVD: C. JONES 19MAR2003

STC TE Connectivity

NAME: SURFACE MOUNT, VERTICAL, MECHANICAL
 HOLDDOWN, ASSEMBLY, 15 GOLD HEADER,
 DUAL ROW, MICRO MATE-N-LOK™

SIZE: A2 CAGE CODE: 0779 DRAWING NO: 794634 RESTRICTED TO: -

MATERIAL: SEE TABLE FINISH: SEE TABLE WEIGHT: -

CUSTOMER DRAWING SCALE: 4:1 SHEET: 1 OF 1 REV: J2

Mouser Electronics

Authorized Distributor

Click to View Pricing, Inventory, Delivery & Lifecycle Information:

[TE Connectivity:](#)

[4-794634-6](#)