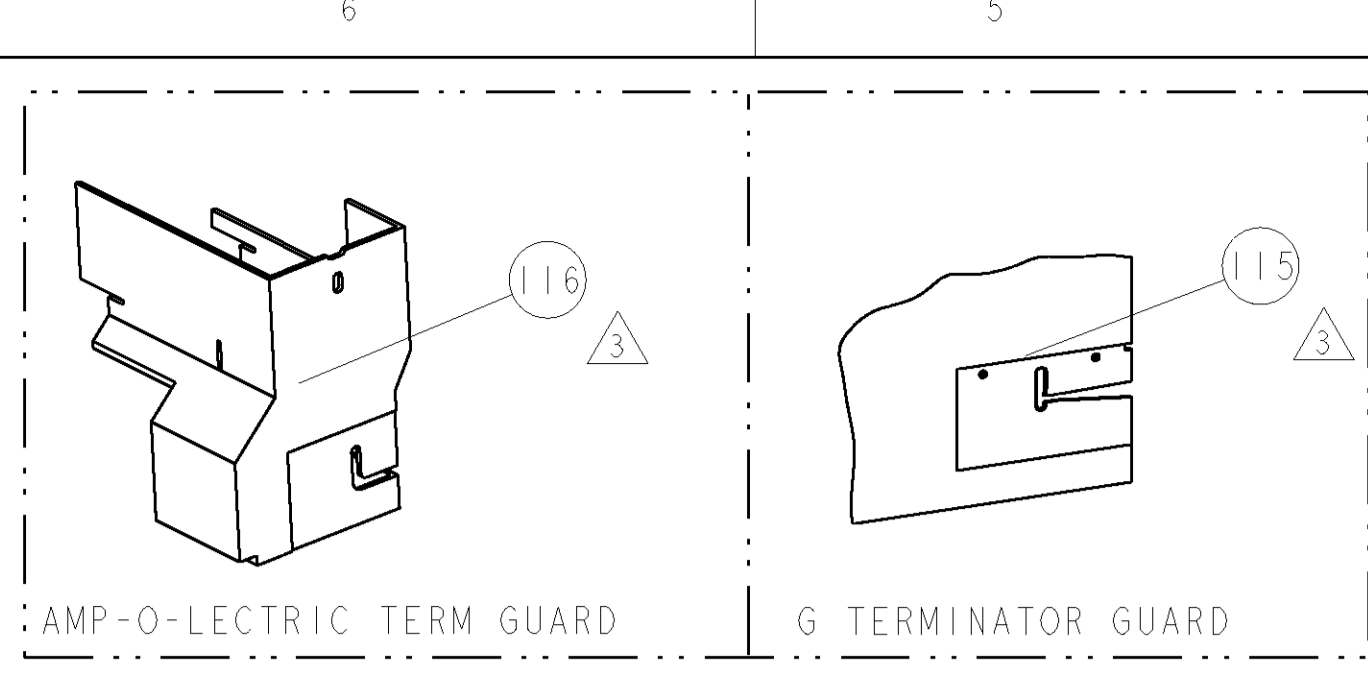


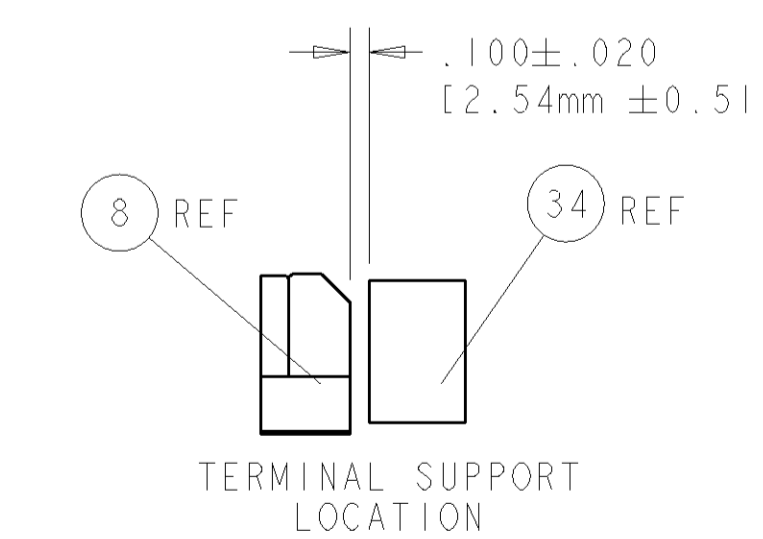
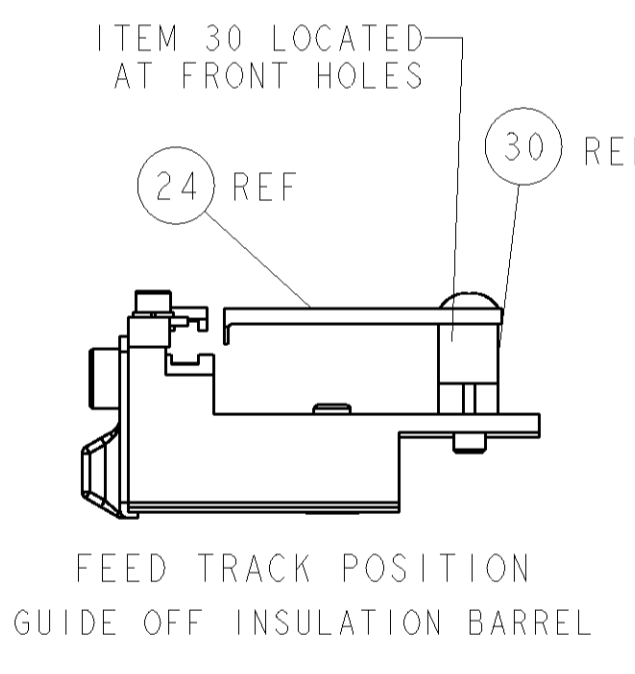
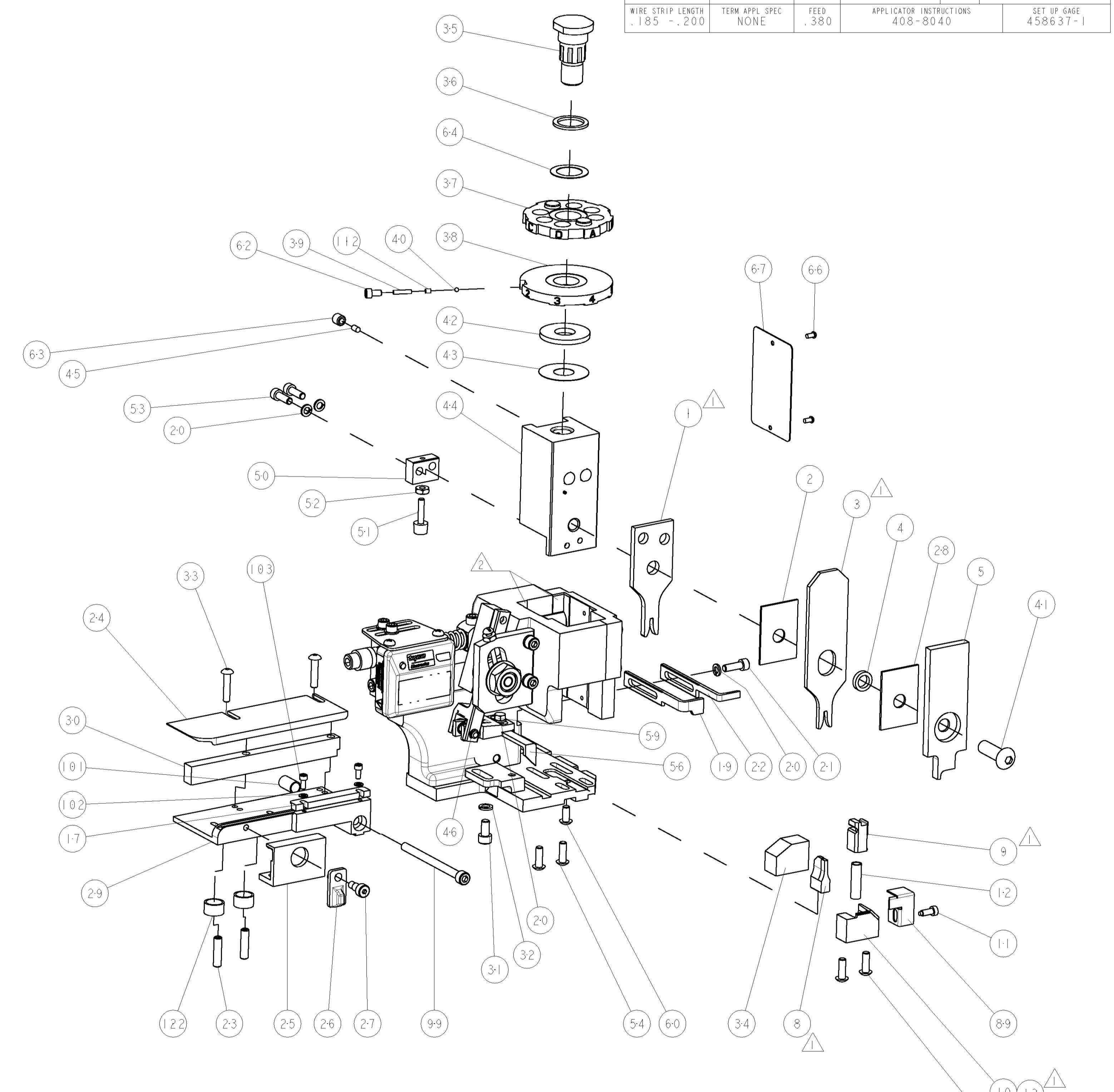
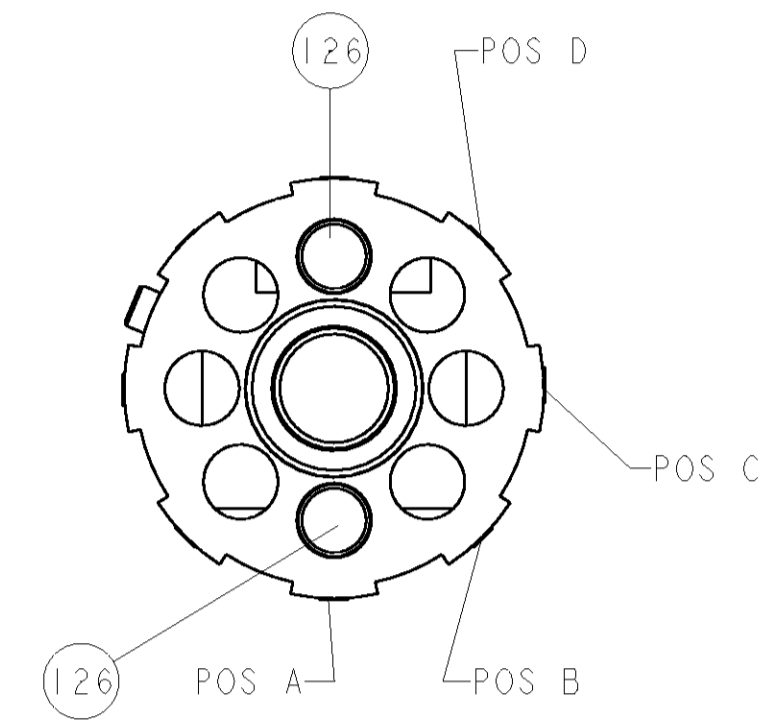
PART NUMBER	REV	FIRST USED	POWER UNIT	FEED TYPE	DESCRIPTION
1852516-1	A	122500-1	LEADMAKER	POST FEED	CUTS CARRIER
1852516-2	A	565435-5	BENCH MODEL K	PRE FEED	CUTS CARRIER
1852516-3	A	354500-1	BENCH MODEL G	PRE FEED	CUTS CARRIER
1852516-6	A	122500-1	LEADMAKER	POST FEED	CONTINUOUS CARRIER
7-1852516-7	A	-	-	-	SPARE PARTS



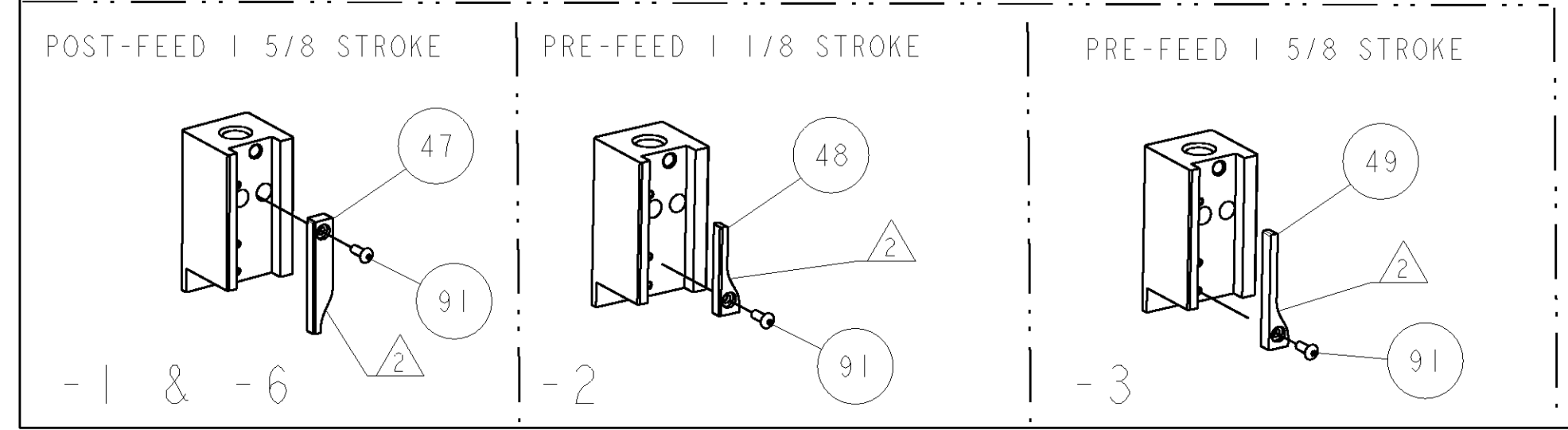
TE PN		MANUF'S PN		MOLEX TERMINAL - AMP CRIMP SPECS	
1949433-1	330950026				
		PAD LTR		CRIMP HEIGHT	WIRE SIZE
		A		.048±.002 [1.22±0.05mm]	18AWG
		B		-	-
		C		-	-
		D		-	-
		CRIMP		SIZE	TYPE
		WIRE		.080 [2.03mm]	F
		INSUL		.090 [2.29mm]	F
		FEED		APPLICATOR INSTRUCTIONS	SET UP GAGE
		NONE		408-8040	458637-1
WIRE STRIP LENGTH	TERM APPL SPEC				
.185 - .200	NONE				

LOC	DIST	REV	DESCRIPTION	DATE	BY	APPD
A	66		PRODUCT RELEASE	20AUG2007	CMR	GB

- △ RECOMMENDED SPARE PARTS
- △ GREASE LIGHTLY
- △ GUARD MUST BE IN PLACE WHEN OPERATING APPLICATOR IN A BENCH MACHINE



QTY	REV	DESCRIPTION	DATE	BY	APPD		
2	2	2	2	-	3-354779-8	PIN, WIRE DISC, .3180	126
-	2	2	2	-	1-22284-0	SPRING, COMPRESSION	122
-	-	-	REF	-	455749-1	GUARD WINDOW	116
-	-	-	REF	-	679532-1	INSERT, GUARD	115
-	1	1	1	1	690603-1	SPRING ASSIST AMP-O-MATOR APPLICATOR	112
-	2	2	2	2	1-21000-3	SCR, SKT HD CAP 4-40 X .250	103
-	2	2	2	2	21024-2	WASHER, SPRG LOCK, REG NO 4	102
-	1	1	1	1	1-22281-8	SPRING, COMPRESSION	101
-	1	1	1	1	8-21000-7	SCR, SKT HD CAP 10-32 X 2.500	99
-	1	1	1	1	1-21002-7	SCR, BTN SKT HD CAP 6-32 X .375	91
-	1	1	1	1	318563-1	GUARD, FRONT CHIP	89
-	1	1	1	1	4088040	SF APPL INST 408-8040	72
-	1	1	1	1	217238-1	GENERAL INSTRUCTION PKG	71
-	1	1	1	1	461264-1	PLATE, IDENTIFICATION	67
-	2	2	2	2	21017-2	SCREW, DRIVE	66
-	1	1	1	1	986950-1	WASHER, FLAT PRECISION	64
-	1	1	1	1	21009-2	SCR, SET, SELF LOCKING 1/4-20 X .250	63
-	1	1	1	1	23030-1	SCR, SKT HD CAP 6-32 X .25	62
-	1	1	1	1	22733-8	SCR, BHSC, SELF-LOCKING, 8-32 X .375	60
-	1	1	1	1	2-22603-0	SCR, HEX HD CAP 8-32 X .312	59
-	1	1	1	1	458537-2	PAWL, FEED	56
-	4	4	4	4	2-21002-2	SCR, BTN SKT HD CAP 8-32 X .500	54
-	2	2	2	2	2-21000-7	SCR, SKT HD CAP 8-32 X .500	53
-	1	1	1	1	21018-5	NUT, HEX, REG 6-32	52
-	1	1	1	1	811242-2	BUMPER, HOLD DOWN	51
-	1	1	1	1	690753-1	SPACER, TONKER	50
-	-	-	-	-	690602-6	CAM, PRE FEED, 1 5/8	49
-	-	-	-	-	690602-5	CAM, PRE FEED, 1 1/8	48
-	1	-	-	-	690501-4	CAM, POST FEED, 1 5/8	47
-	1	1	1	1	459456-1	APPL. BASIC SUB ASSY (SIDE WISE MOCA)	46
-	1	1	1	1	690191-1	PLUG, NYLON	45
-	1	1	1	1	455673-1	RAM, SIDE FEED	44
-	1	1	1	1	690125-1	SHIM SUB-ASSY	43
-	1	1	1	1	690124-1	WASHER, RAM (.115)	42
-	1	1	1	1	7-21002-9	SCR, BTN SKT HD CAP 5/16-24 X 1.00	41
-	1	1	1	1	23241-6	BALL, STEEL	40
-	1	1	1	1	690170-1	SPRING, COMPRESSION	39
-	1	1	1	1	690142-1	DISC, INSULATION	38
-	1	1	1	1	354777-1	WIRE DISC, ASSEMBLY	37
-	1	1	1	1	22480-5	SPRING, COMPRESSION	36
-	1	1	1	1	690212-1	POST, RAM	35
-	1	1	1	1	2-690786-3	TERMINAL SUPPORT	34
-	2	2	2	2	2-21002-4	SCR, BTN SKT HD CAP 8-32 X .750	33
-	1	1	1	1	21024-5	WASHER, SPRG LOCK, REG NO 10	32
-	1	1	1	1	3-21000-4	SCR, SKT HD CAP 10-32 X .375	31
-	1	1	1	1	1320908-4	SPACER, STRIP GUIDE	30
-	1	1	1	1	1633087-9	PLATE, STRIP GUIDE	29
-	1	1	1	1	1-455888-0	SPACER, CRIMPER	28
-	1	1	1	1	21989-8	SCR, SKT HD SHLDR 3/16 DIA X .250	27
-	1	1	1	1	356835-1	LEVER, DRAG RELEASE	26
-	1	1	1	1	217233-1	DRAG, STOCK	25
-	1	1	1	1	1320928-5	PLATE, STRIP GUIDE	24
-	2	2	2	2	5-21006-6	SCR, SET, CUP POINT 10-32 X .750	23
-	1	-	-	-	690472-2	STRIPPER	22
-	1	1	1	1	2-21000-7	SCR, SKT HD CAP 8-32 X .500	21
-	4	4	4	4	21024-4	WASHER, SPRG LOCK, REG NO 8	20
-	-	-	-	-	691353-1	STRIPPER	19
-	1	1	1	1	3-690487-2	GUIDE, FRONT STRIP	17
-	1	1	1	1	679625-1	SHEAR HOLDER, FRONT (NO CUT)	13
-	1	1	1	1	3-22280-3	SPRING, COMPRESSION	12
-	1	1	1	1	690461-1	STOP, SHEAR	11
-	-	-	-	-	690459-1	SHEAR HOLDER, FRONT	10
-	1	1	1	1	454276-1	FLOATING SHEAR, FRONT	9
-	1	1	1	1	3-1633109-1	ANVIL, COMBINATION .080	8
-	-	-	-	-	-	-	7
-	-	-	-	-	-	-	6
-	1	1	1	1	1-455889-4	DEPRESSOR, SHEAR	5
-	1	1	1	1	238011-9	BLOCK, CRIMPER SPACER	4
-	1	1	1	1	4-1424909-4	CRIMPER, INSULATION F	3
-	1	1	1	1	455888-9	SPACER, CRIMPER	2
-	1	1	1	1	2-456405-9	CRIMPER, WIRE PREMIUM	1



DIMENSIONS: INCHES		TOLERANCES UNLESS OTHERWISE SPECIFIED:	
0 PLC	±	1 PLC	±.01
1 PLC	±.01	2 PLC	±.01
3 PLC	±.001	4 PLC	±.001
ANGLES	±.0001		
MATERIAL		FINISH	
CUSTOMER DRAWING		SCALE 3:5	

CUSTOMER VIEWABLE ASSEMBLY

Mouser Electronics

Authorized Distributor

Click to View Pricing, Inventory, Delivery & Lifecycle Information:

[TE Connectivity:](#)

[1852516-3](#)