

REV. Status

REVISION -
09/23/99 TS

REVISION A
ADDED RoHS
05/10/06 MP

REVISION B
ADDED THRU HOLE
DIMS. CLARIFIED
SCHEMATIC
05/01/07 MP

LOW PROFILE, THREE FLANGE 2.5VA POWER TRANSFORMER APPROVED TO UL506 AND CSA C22.2 NO. 66-1988 AND USES A UL CLASS B (130°C) APPROVED INSULATION SYSTEM

MODEL NUMBER

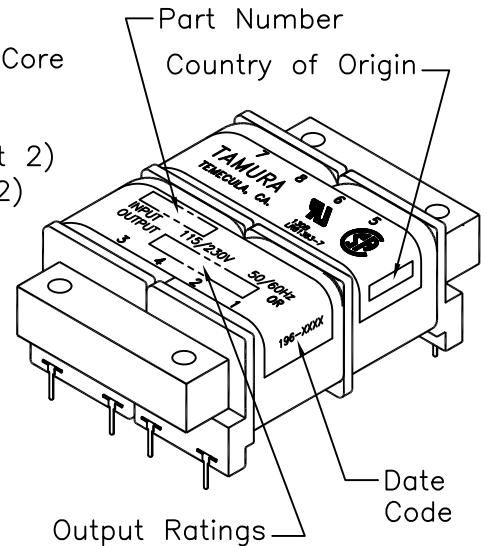
3FL & PF 2.5VA

A. Electrical Specifications (@25°C)

1. Maximum Power: 2.5VA
2. Primary Voltage and Frequency: 115/230VAC
50/60Hz.
3. Secondary RMS Rating: See Table A on sheet 2
4. voltage Regulation: 35% TYP @ full load to no load
5. Temperature Rise: 25°C TYP (40°C MAX)
6. Insulation Resistance:
100MΩ MIN @ 500VDC, Pri to Sec, Pri to Core
100MΩ MIN @ 500VDC, Sec to core
7. Dielectric Withstand:
1500Vrms 1 minute @ Pri to Sec, Pri to Core
1500Vrms 1 minute @ Sec to Core



B. Marking: TAMURA, Tamura part number (see sheet 2)
MICROTRAN, Microtran part number (see sheet 2)
date code, country of origin, safety logos
and input and output ratings (see sheet 2)

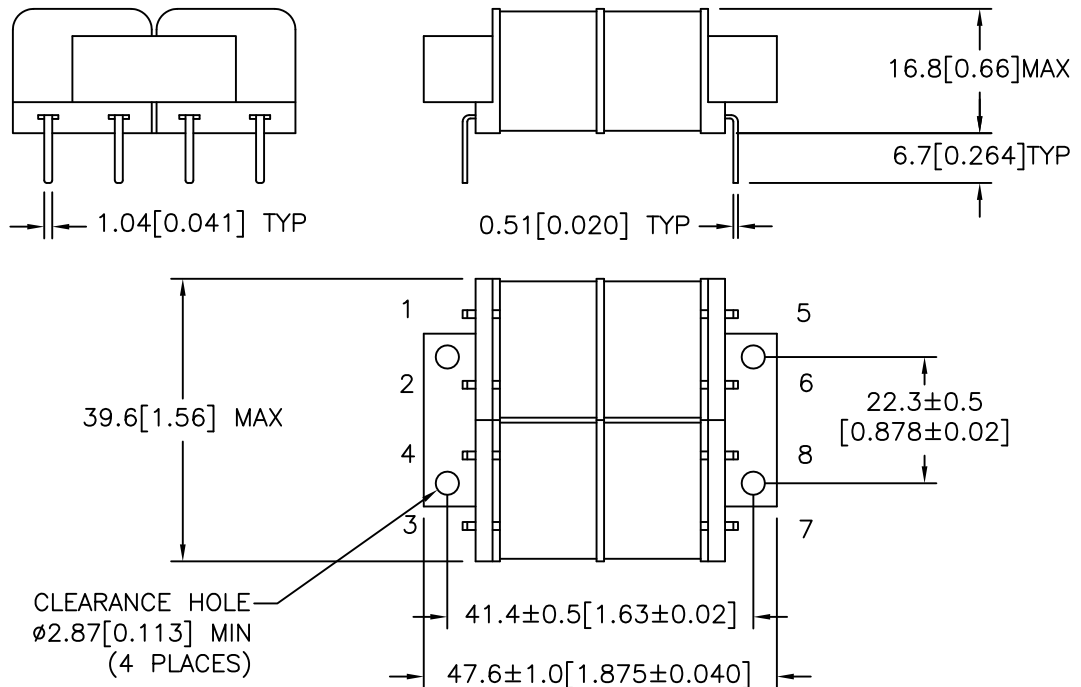


C. Safety:

UL approved, UL506 File E145619, E79781
Insulation Class B (130°C) File No E92957
CSA Certified, C22.2 No. 66 File 081383
(3FL Series)



D. Mechanical Specifications:



| TOLERANCES (mm) |
|-----------------|
| ≤ 4 ± 0.2 |
| 4 ≤ 20 ± 0.3 |
| 20 ≤ 50 ± 0.4 |

PREPARED BY:
K. BRENNAN

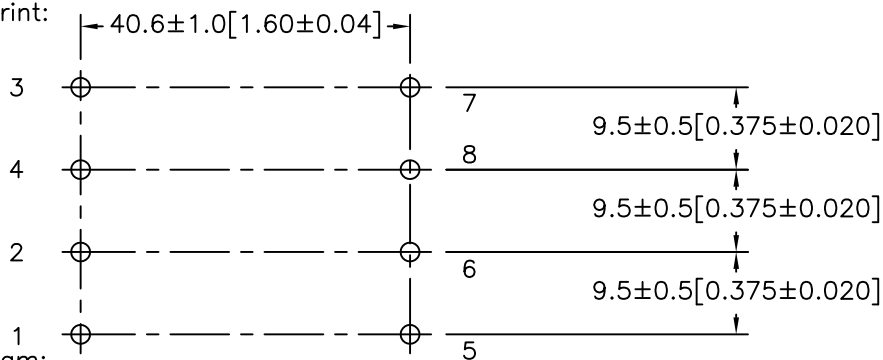
ENGINEER:
M. PITCHAI

SAFETY ENGINEER
T. CLEM

APPROVED:
Y. SEKIGUCHI

| DRAWING CONTROL NO. | REV | MODEL DESCRIPTION | MODEL SPECIFICATION |
|---|-----|--|---------------------------------------|
| P-A1-10568 | B | 2.5VA 3FL & PF SERIES POWER TRANSFORMER | 3FL & PF 2.5VA |
| CONTENTS OF THIS DRAWING ARE SUBJECT TO CHANGE WITHOUT PRIOR NOTICE | | TAMURA CORPORATION OF AMERICA 1040 SOUTH ANDREASEN DRIVE, #100 ESCONDIDO, CA. 92029 (951) 699-1270 FAX 7607400536 | DIM: mm [In] SCL: NONE SH: 1 OF 2 |
| <p>PROPRIETARY NOTICE: THIS DRAWING PRINT OR DOCUMENT AND SUBJECT MATTER DISCLOSED HEREIN ARE PROPRIETARY ITEMS TO WHICH TAMURA RETAINS THE EXCLUSIVE RIGHT OF DISSEMINATION, REPRODUCTION, MANUFACTURE AND SALE. THIS DRAWING, PRINT OR DOCUMENT IS SUBMITTED IN CONFIDENCE FOR CONSIDERATION BY THE RECIPIENT ALONE UNLESS PERMISSION FOR FURTHER DISCLOSURE IS EXPRESSLY GRANTED IN WRITING.</p> | | | |

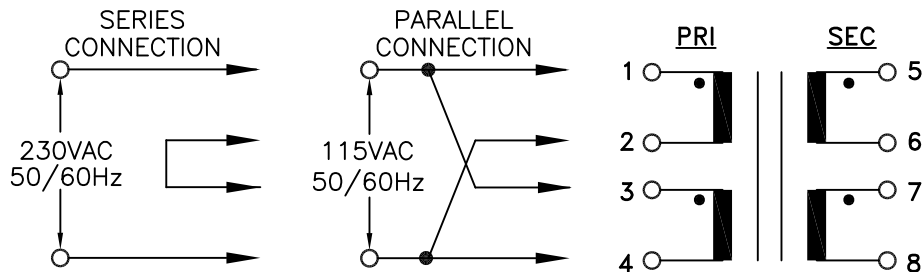
E. Mounting Footprint:



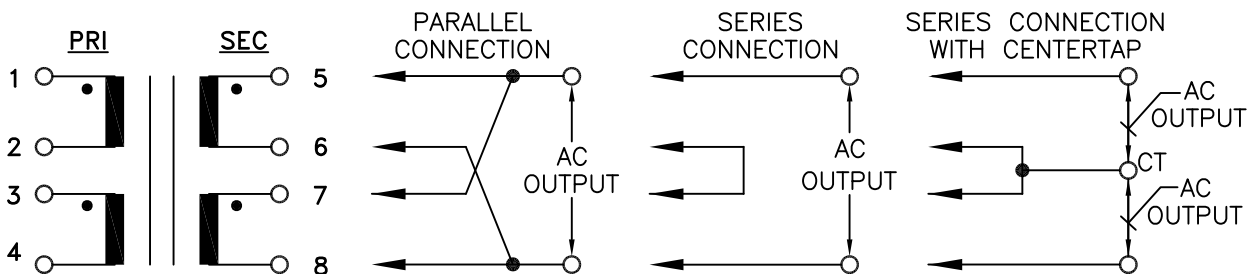
MODEL NUMBER
3FL & PF 2.5VA

F. Schematic Diagram:

PRIMARY INPUT CONNECTIONS



SECONDARY OUTPUT CONNECTIONS



G. Table A:

| TAMURA PART NO. | MICROTRAN PART NO. | PARALLEL CONNECTION | | SERIES CONNECTION | | SERIES CONNECTION WITH CT | |
|-----------------|--------------------|---------------------|----------|-------------------|----------|---------------------------|----------|
| | | AC VOLTS | RMS AMPS | AC VOLTS | RMS AMPS | AC VOLTS | RMS AMPS |
| 3FL10-250 | PF2.5-10 | 5.0 | 0.500 | 10.0 | 0.250 | 5.0-CT-5.0 | 0.250 |
| 3FL12-200 | PF2.5-12 | 6.3 | 0.400 | 12.6 | 0.200 | 6.3-CT-6.3 | 0.200 |
| 3FL16-150 | PF2.5-16 | 8.0 | 0.300 | 16.0 | 0.150 | 8.0-CT-8.0 | 0.150 |
| 3FL20-125 | PF2.5-20 | 10.0 | 0.250 | 20.0 | 0.125 | 10.0-CT-10.0 | 0.125 |
| 3FL24-100 | PF2.5-24 | 12.0 | 0.200 | 24.0 | 0.100 | 12.0-CT-12.0 | 0.100 |
| 3FL30-85 | PF2.5-30 | 15.0 | 0.170 | 30.0 | 0.085 | 15.0-CT-15.0 | 0.085 |
| 3FL34-75 | PF2.5-34 | 17.0 | 0.150 | 34.0 | 0.075 | 17.0-CT-17.0 | 0.075 |
| 3FL40-60 | N/A | 20.0 | 0.120 | 40.0 | 0.060 | 20.0-CT-20.0 | 0.060 |
| 3FL56-45 | PF2.5-56 | 28.0 | 0.090 | 56.0 | 0.045 | 28.0-CT-28.0 | 0.045 |
| 3FL88-28 | N/A | 44.0 | 0.056 | 88.0 | 0.028 | 44.0-CT-44.0 | 0.028 |
| 3FL120-20 | N/A | 60.0 | 0.040 | 120.0 | 0.020 | 60.0-CT-60.0 | 0.020 |
| 3FL230-10 | N/A | 115.0 | 0.020 | 230.0 | 0.010 | 115.0-CT-115.0 | 0.010 |

PREPARED BY:
K. BRENNAN

ENGINEER:
M. PITCHAI

SAFETY ENGINEER
T. CLEM

APPROVED:
Y. SEKIGUCHI

DRAWING CONTROL NO. P-A1-10568-2
REV B

CONTENTS OF THIS DRAWING ARE SUBJECT TO CHANGE WITHOUT PRIOR NOTICE

MODEL DESCRIPTION
2.5VA 3FL & PF SERIES
POWER TRANSFORMER
TAMURA CORPORATION OF AMERICA
1040 SOUTH ANDREASEN DRIVE, #100 ESCONDIDO, CA. 92029
(951) 699-1270 FAX 7607400536

MODEL SPECIFICATION
3FL & PF 2.5VA
DIM: mm[In] SCL: NONE SH: 2 OF 2

PROPRIETARY NOTICE: THIS DRAWING PRINT OR DOCUMENT AND SUBJECT MATTER DISCLOSED HEREIN ARE PROPRIETARY ITEMS TO WHICH TAMURA RETAINS THE EXCLUSIVE RIGHT OF DISSEMINATION, REPRODUCTION, MANUFACTURE AND SALE. THIS DRAWING, PRINT OR DOCUMENT IS SUBMITTED IN CONFIDENCE FOR CONSIDERATION BY THE RECIPIENT ALONE UNLESS PERMISSION FOR FURTHER DISCLOSURE IS EXPRESSLY GRANTED IN WRITING.

Mouser Electronics

Authorized Distributor

Click to View Pricing, Inventory, Delivery & Lifecycle Information:

[Tamura:](#)

[3FL20-125](#)