

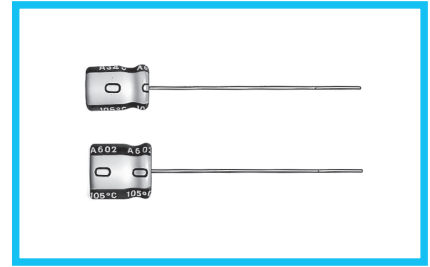
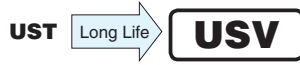
USV

7mmL, Long Life Assurance



Long Life

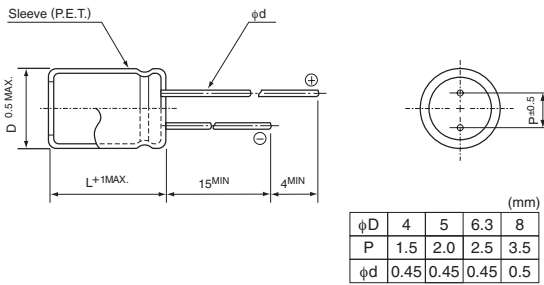
- Extended load life of 5000 hours at +105°C, with 7mm height.
- Compliant to the RoHS directive (2011/65/EU).



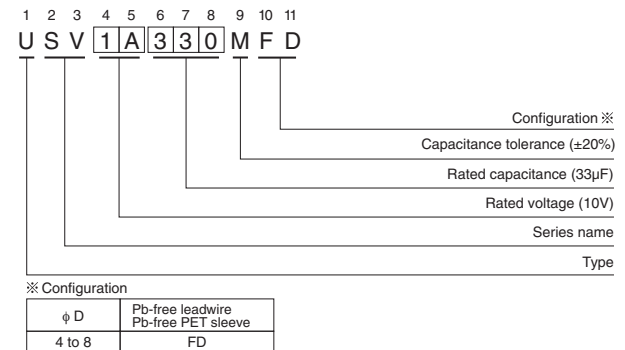
Specifications

Item	Performance Characteristics																							
Category Temperature Range	-40 to +105°C																							
Rated Voltage Range	6.3 to 50V																							
Rated Capacitance Range	1 to 220μF																							
Capacitance Tolerance	±20% at 120Hz, 20°C																							
Leakage Current	After 2 minutes' application of rated voltage at 20°C, leakage current is not more than 0.01CV or 3(μA), whichever is greater.																							
Tangent of loss angle (tan δ)	Measurement frequency : 120Hz, Temperature : 20°C																							
	<table border="1"> <tr> <td>Rated voltage (V)</td> <td>6.3</td> <td>10</td> <td>16</td> <td>25</td> <td>35</td> <td>50</td> </tr> <tr> <td>tan δ (MAX.)</td> <td>0.24</td> <td>0.21</td> <td>0.18</td> <td>0.15</td> <td>0.13</td> <td>0.12</td> </tr> </table>	Rated voltage (V)	6.3	10	16	25	35	50	tan δ (MAX.)	0.24	0.21	0.18	0.15	0.13	0.12									
Rated voltage (V)	6.3	10	16	25	35	50																		
tan δ (MAX.)	0.24	0.21	0.18	0.15	0.13	0.12																		
Stability at Low Temperature	Measurement frequency : 120Hz																							
	<table border="1"> <tr> <td colspan="2">Rated voltage (V)</td> <td>6.3</td> <td>10</td> <td>16</td> <td>25</td> <td>35</td> <td>50</td> </tr> <tr> <td>Impedance ratio</td> <td>Z-25°C / Z+20°C</td> <td>4</td> <td>3</td> <td>2</td> <td>2</td> <td>2</td> <td>2</td> </tr> <tr> <td>ZT / Z20 (MAX.)</td> <td>Z-40°C / Z+20°C</td> <td>8</td> <td>6</td> <td>4</td> <td>3</td> <td>3</td> <td>3</td> </tr> </table>	Rated voltage (V)		6.3	10	16	25	35	50	Impedance ratio	Z-25°C / Z+20°C	4	3	2	2	2	2	ZT / Z20 (MAX.)	Z-40°C / Z+20°C	8	6	4	3	3
Rated voltage (V)		6.3	10	16	25	35	50																	
Impedance ratio	Z-25°C / Z+20°C	4	3	2	2	2	2																	
ZT / Z20 (MAX.)	Z-40°C / Z+20°C	8	6	4	3	3	3																	
Endurance	The specifications listed at right shall be met when the capacitors are restored to 20°C after the rated voltage is applied for 5000 hours at 105°C.																							
	<table border="1"> <tr> <td>Capacitance change</td> <td>Within ±30% of the initial capacitance value</td> </tr> <tr> <td>tan δ</td> <td>300% or less than the initial specified value</td> </tr> <tr> <td>Leakage current</td> <td>Less than or equal to the initial specified value</td> </tr> </table>	Capacitance change	Within ±30% of the initial capacitance value	tan δ	300% or less than the initial specified value	Leakage current	Less than or equal to the initial specified value																	
Capacitance change	Within ±30% of the initial capacitance value																							
tan δ	300% or less than the initial specified value																							
Leakage current	Less than or equal to the initial specified value																							
Shelf Life	After storing the capacitors under no load at 105°C for 1000 hours and then performing voltage treatment based on JIS C 5101-4 clause 4.1 at 20°C, they shall meet the specified values for the endurance characteristics listed above.																							
Marking	Printed with silver color letter on dark brown sleeve.																							

Radial Lead Type



Type numbering system (Example: 10V 33μF)



Dimensions

Cap.(μF)	Code	6.3		10		16		25		35		50	
		0J		1A		1C		1E		1V		1H	
1	010											4 × 7	10
2.2	2R2											4 × 7	19
3.3	3R3											4 × 7	24
4.7	4R7										4 × 7	24	29
10	100					4 × 7	29	5 × 7	33	5 × 7	36	6.3 × 7	44
22	220	4 × 7	34	5 × 7	38	5 × 7	44	6.3 × 7	51	6.3 × 7	57	8 × 7	65
33	330	5 × 7	42	5 × 7	47	6.3 × 7	57	6.3 × 7	63	8 × 7	72		
47	470	5 × 7	50	6.3 × 7	59	6.3 × 7	68	8 × 7	78				
100	101	6.3 × 7	77	8 × 7	96	8 × 7	107						
220	221	8 × 7	130									Case size φD × L (mm)	Rated ripple

Rated ripple current (mArms) at 105°C 120Hz

Frequency coefficient of rated ripple current

Frequency	50 Hz	120 Hz	300 Hz	1 kHz	10 kHz or more
Coefficient	0.70	1.00	1.17	1.36	1.50

Please refer to page 20, 21, 22 about the formed or taped product spec.
Please refer to page 4 for the minimum order quantity.

Mouser Electronics

Authorized Distributor

Click to View Pricing, Inventory, Delivery & Lifecycle Information:

Nichicon:

[USV0J101MFD](#) [USV1A220MFD](#) [USV0J221MFD](#) [USV0J330MFD](#) [USV0J220MFD](#) [USV1A330MFD](#) [USV1A470MFD](#)
[USV1C470MFD](#) [USV1H100MFD](#) [USV1HR33MFD](#) [USV1HR47MFD](#) [USV0J470MFD](#) [USV1A101MFD](#)
[USV1C220MFD](#) [USV1C330MFD](#) [USV1H010MFD](#) [USV1H0R1MFD](#) [USV1HR22MFD](#) [USV1C100MFD](#)
[USV1C101MFD](#) [USV1E330MFD](#) [USV1E470MFD](#) [USV1H3R3MFD](#) [USV1H4R7MFD](#) [USV1V330MFD](#)
[USV1V4R7MFD](#) [USV1E100MFD](#) [USV1E220MFD](#) [USV1H220MFD](#) [USV1H2R2MFD](#) [USV1V100MFD](#)
[USV1V220MFD](#) [USV1H100MFD1TP](#) [USV1V100MFD1TE](#) [USV1V4R7MFD1TP](#) [USV1H010MFD1TP](#)
[USV1C100MFD1TP](#) [USV1V100MFD1TP](#) [USV1E220MFD1TE](#) [USV1C330MFD1TE](#) [USV1C330MFD1TP](#)
[USV1E470MFD1TD](#) [USV1E470MFD1TE](#) [USV1A330MFD1TE](#) [USV1A470MFD1TE](#) [USV1H100MFD1TE](#)
[USV1A470MFD1TP](#) [USV1H010MFD1TE](#) [USV1H3R3MFD1TP](#) [USV1E330MFD1TP](#) [USV0J221MFD1TD](#)
[USV0J101MFD1TE](#) [USV1V4R7MFD1TE](#) [USV1A101MFD1TE](#) [USV1E220MFD1TP](#) [USV1C101MFD1TD](#)
[USV0J220MFD1TP](#) [USV0J221MFD1TE](#)