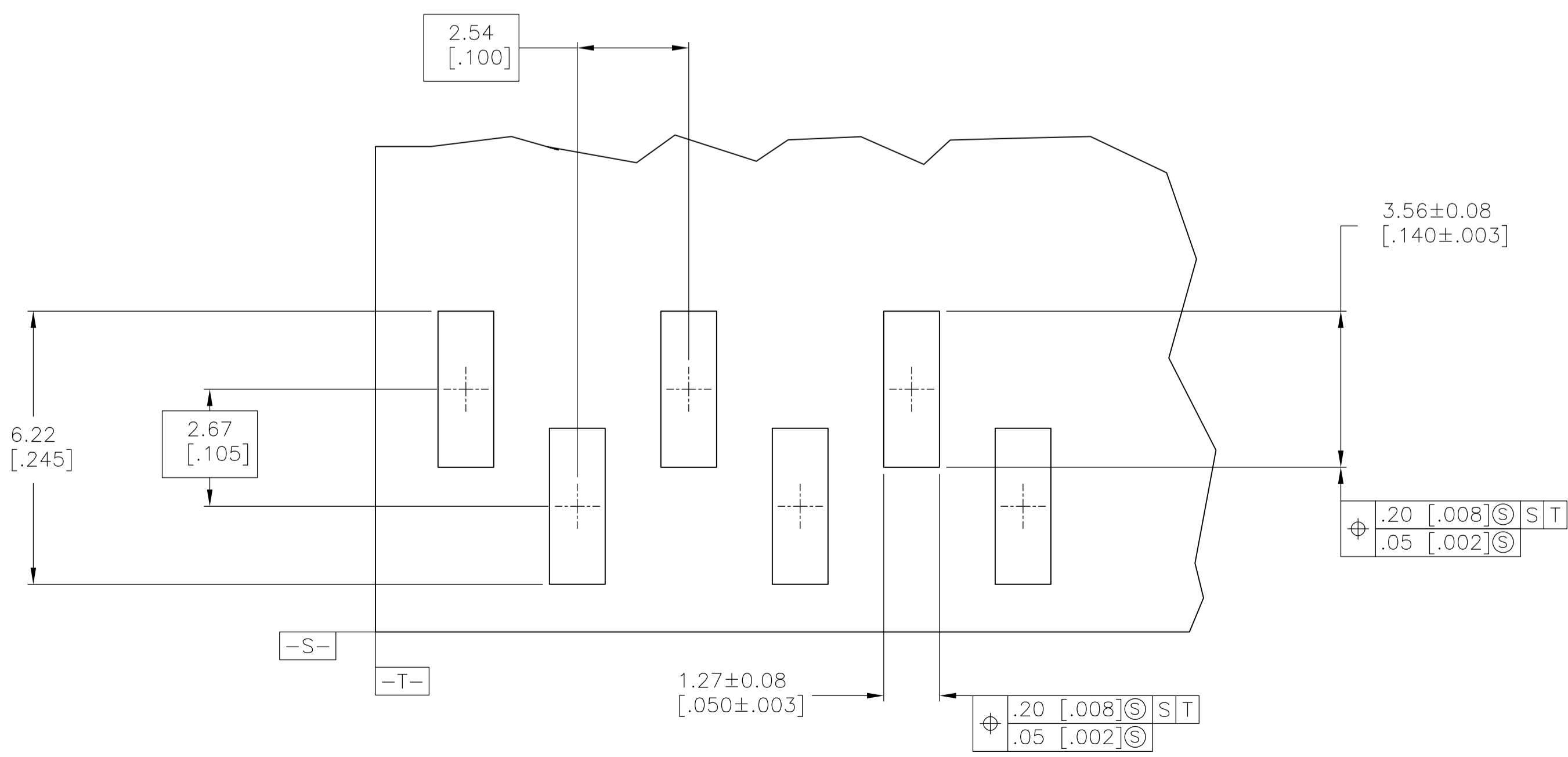
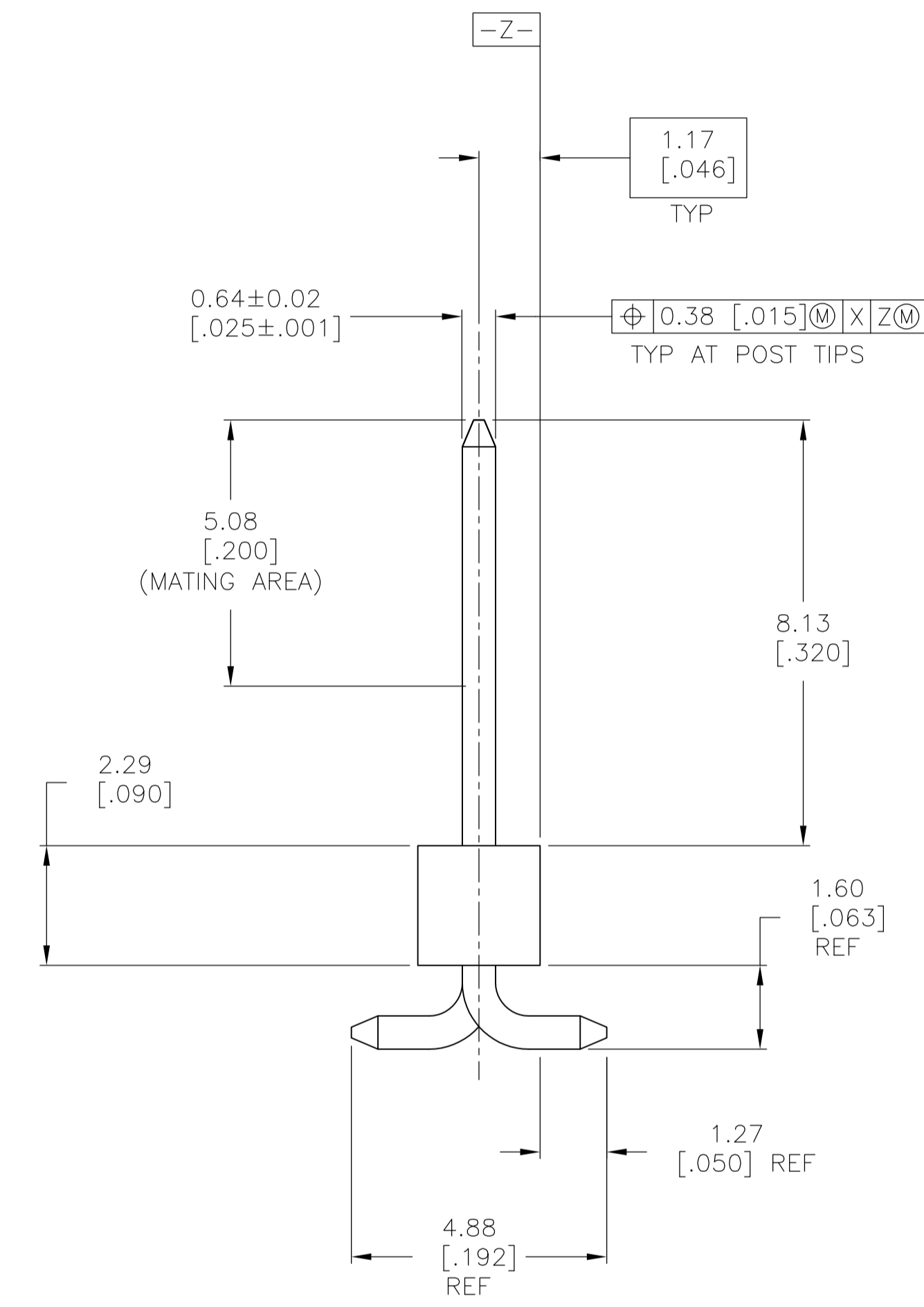
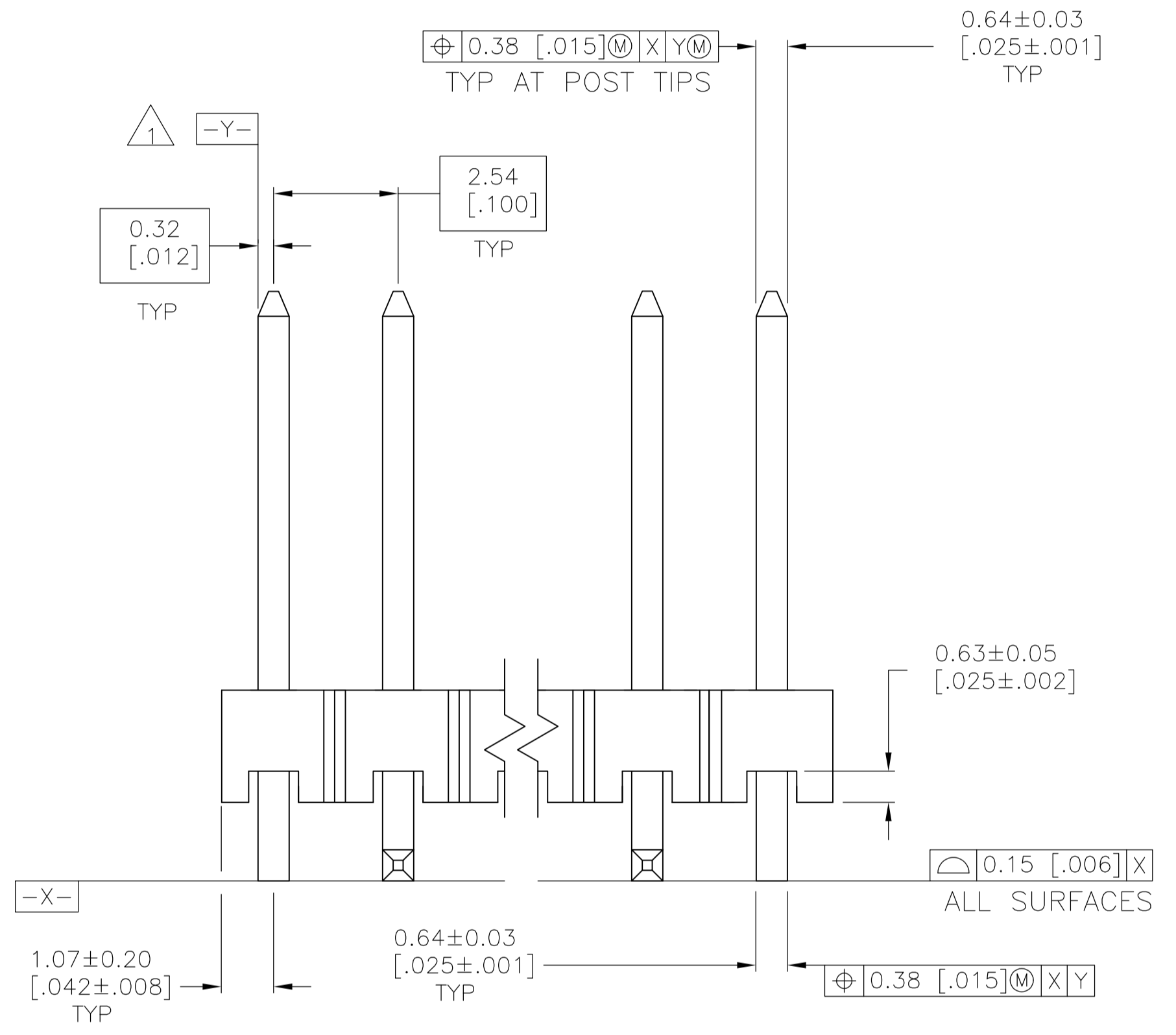
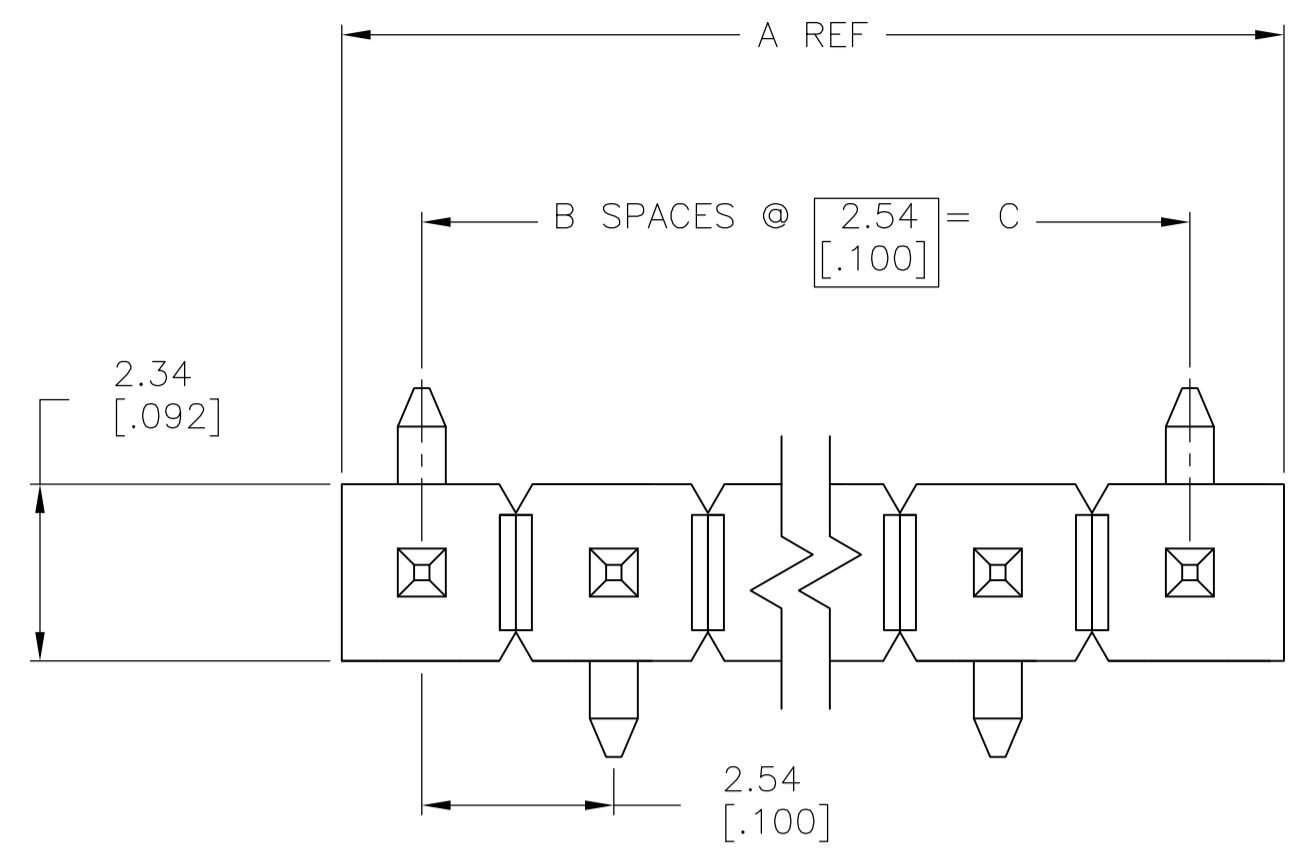


- 1 THE NOTED DIMENSIONS APPLY AT THE INTERSECTION OF THE POST AND THE HOUSING.
- 2 0.000762[.000030] GOLD ON CONTACT AREA, 0.00254[.000100]-0.00508[.000200] MATTE TIN-LEAD ON SOLDER TAIL, ALL OVER 0.00127[.000050] NICKEL.
- 3 HOUSING: LCP, COLOR-BLACK. POSTS: COPPER ALLOY.
- 4 0.000762[.000030] GOLD ON CONTACT AREA, 0.00254[.000100]-0.00508[.000200] MATTE TIN ON SOLDER TAIL, ALL OVER 0.00127[.000050] NICKEL.
- 5 OBSOLETE PARTS: OBSOLETE CIS STREAMLINING PER D.RENAUD/D.SINISI



RECOMMENDED PCB LAYOUT FOR USE WITH .008 THICK STENCIL

4	35.56 [1.400]	14	35.69 [1.484]	15	6-146129-3	
4	33.02 [1.300]	13	33.15 [1.384]	14	6-146129-2	
4	30.48 [1.200]	12	30.61 [1.284]	13	6-146129-1	
4	27.94 [1.100]	11	28.07 [1.184]	12	6-146129-0	
4	25.40 [1.000]	10	27.53 [1.084]	11	5-146129-9	
4	22.86 [.900]	9	24.99 [.984]	10	5-146129-8	
4	20.32 [.800]	8	22.45 [.884]	9	5-146129-7	
4	17.78 [.700]	7	19.91 [.784]	8	5-146129-6	
4	15.24 [.600]	6	17.37 [.684]	7	5-146129-5	
4	12.70 [.500]	5	14.83 [.584]	6	5-146129-4	
4	10.16 [.400]	4	12.29 [.484]	5	5-146129-3	
4	7.62 [.300]	3	9.75 [.384]	4	5-146129-2	
4	5.08 [.200]	2	7.21 [.284]	3	5-146129-1	
5	OBSOLETE	2	35.56 [1.400]	14	35.69 [1.484]	
5	OBSOLETE	2	33.02 [1.300]	13	33.15 [1.384]	
5	SUPERSEDED	2	30.48 [1.200]	12	30.61 [1.284]	
5	SUPERSEDED	2	27.94 [1.100]	11	28.07 [1.184]	
5	OBSOLETE	2	25.40 [1.000]	10	27.53 [1.084]	
5	OBSOLETE	2	22.86 [.900]	9	24.99 [.984]	
5	OBSOLETE	2	20.32 [.800]	8	22.45 [.884]	
5	SUPERSEDED	2	17.78 [.700]	7	19.91 [.784]	
5	SUPERSEDED	2	15.24 [.600]	6	17.37 [.684]	
5	OBSOLETE	2	12.70 [.500]	5	14.83 [.584]	
5	SUPERSEDED	2	10.16 [.400]	4	12.29 [.484]	
5	SUPERSEDED	2	7.62 [.300]	3	9.75 [.384]	
5	SUPERSEDED	2	5.08 [.200]	2	7.21 [.284]	
PLATING		C	B	A	NO OF POSN	PART NUMBER

THIS DRAWING IS A CONTROLLED DOCUMENT.

DIMENSIONS: mm [INCHES]

TOLERANCES UNLESS OTHERWISE SPECIFIED:

0 PLC	±	-
1 PLC	±	-
2 PLC	±	0.13[.005]
3 PLC	±	-
4 PLC	±	-
ANGLES	±	-

MATERIAL: 3

FINISH: SEE TABLE

WEIGHT: -

SIZE: A1

SCALE: 10:1

SHEET: 1 of 1

REV: -

APPROVED: G. DUBNICZKI

DATE: 9-30-94

DESIGNED: J. KNAUB

DATE: 9-30-94

TE Connectivity

SURFACE MOUNT HEADER ASSEMBLY, MOD II, BREAKAWAY, VERTICAL, SINGLE ROW, .100 X.100 C/L, .025 SQ.POST

00779-146129

Mouser Electronics

Authorized Distributor

Click to View Pricing, Inventory, Delivery & Lifecycle Information:

[TE Connectivity:](#)

[146129-5](#)