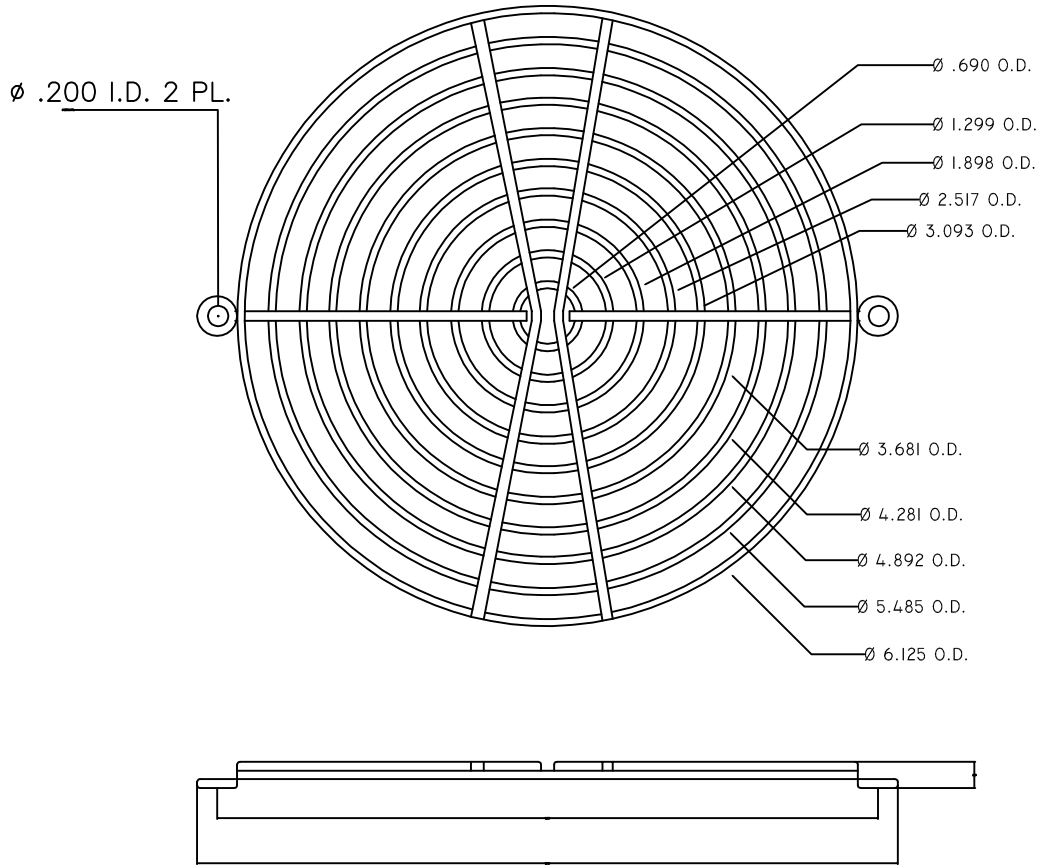


ITEM	PART NO.	DESCRIPTION	Q'TY	REV	DATE	DESCRIPTION	APPROVAL	REF.
1	KM172	172MM WIRE FORM FAN GUARD		0	08-27-04	ORIGINAL RELEASE	<i>JF</i>	
2								
3								
4								
5								



NOTES:

1. MATERIAL: SAE C1008 (OR EQUIVALENT) BRIGHT BASIC WIRE.
2. FINISH: BRIGHT NICKEL CHROME PLATING.
3. WELD JOINTS TO WITHSTAND 70LBS PULL FORCE.

<small>UNLESS NOTED: TOLERANCES SHALL BE X = ±.000 .XX = ±.150 .XXX = ±.075 ANGULAR = ±.2°</small>	REMARKS		SHOWN Q'TY	OPPOSITE Q'TY	
	THIRD ANGLE	SCALE	MATERIAL	APPROVED BY: <i>JF</i>	
	METRIC			DRAWN BY: <i>BEA</i>	
<small>THIS DRAWING IS THE PROPERTY OF SANYO DENKI AMERICA, INC. AND SHALL BE DEEMED AS PROPRIETARY INFORMATION. USE OF ANY INFORMATION CONTAINED HEREIN SHALL BE PROHIBITED WITHOUT WRITTEN PERMISSION OF SANYO AMERICA, INC.</small>	DATE: 08-27-04		DATE: 08-27-04		
	MODEL		NAME		
	SANYO DENKI AMERICA, INC. TORRANCE, CALIFORNIA, U.S.A.		172MM WIRE FORM FAN FINGERSHIELD		
DRAWING NO.		REVISED			
KM172		0			

Mouser Electronics

Authorized Distributor

Click to View Pricing, Inventory, Delivery & Lifecycle Information:

[Sanyo Denki:](#)

[KM172](#)