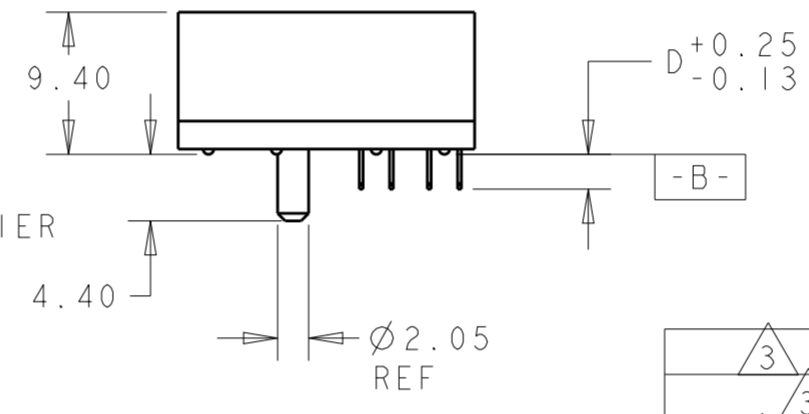
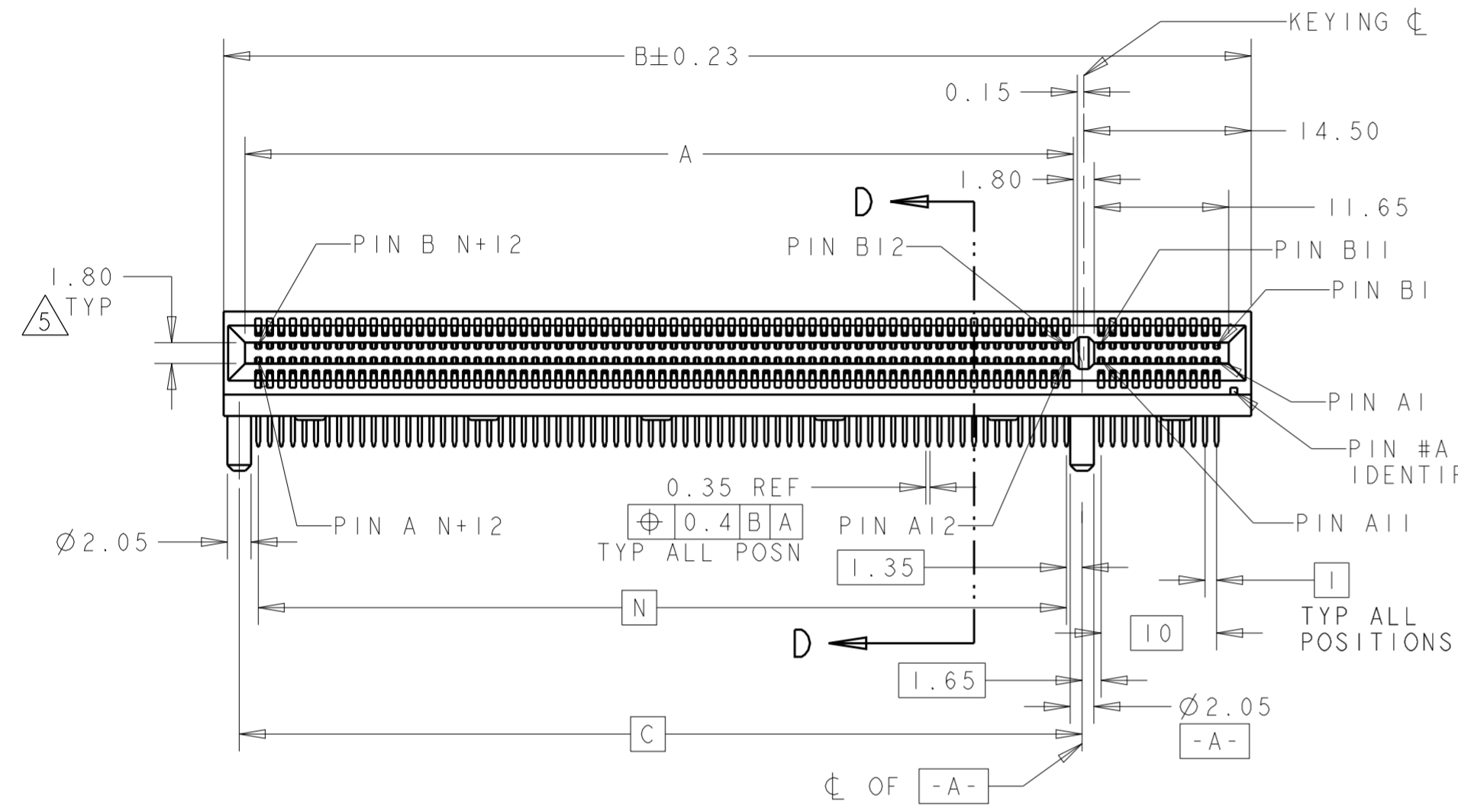
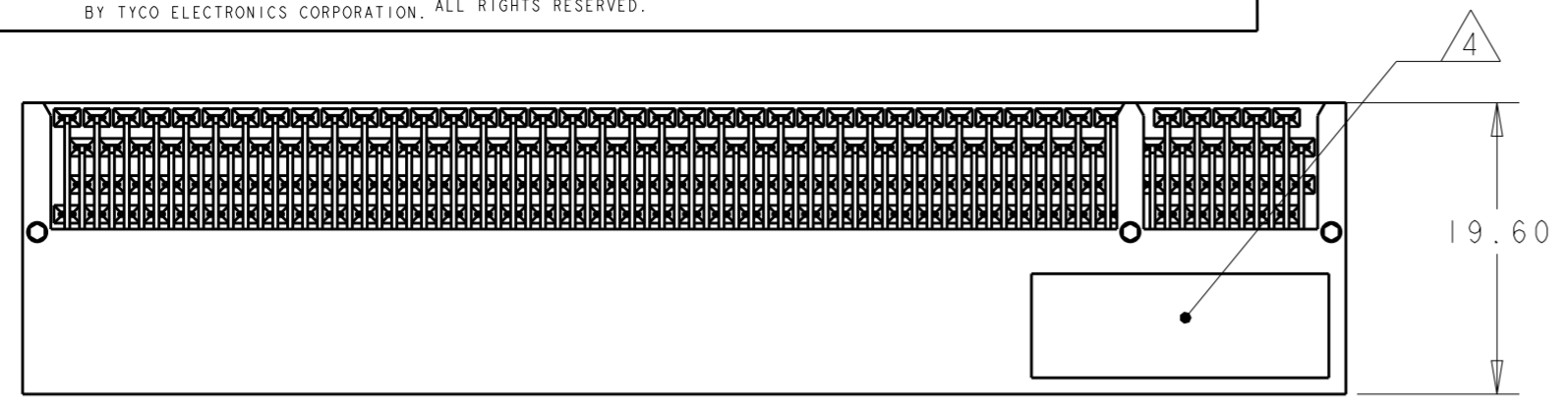
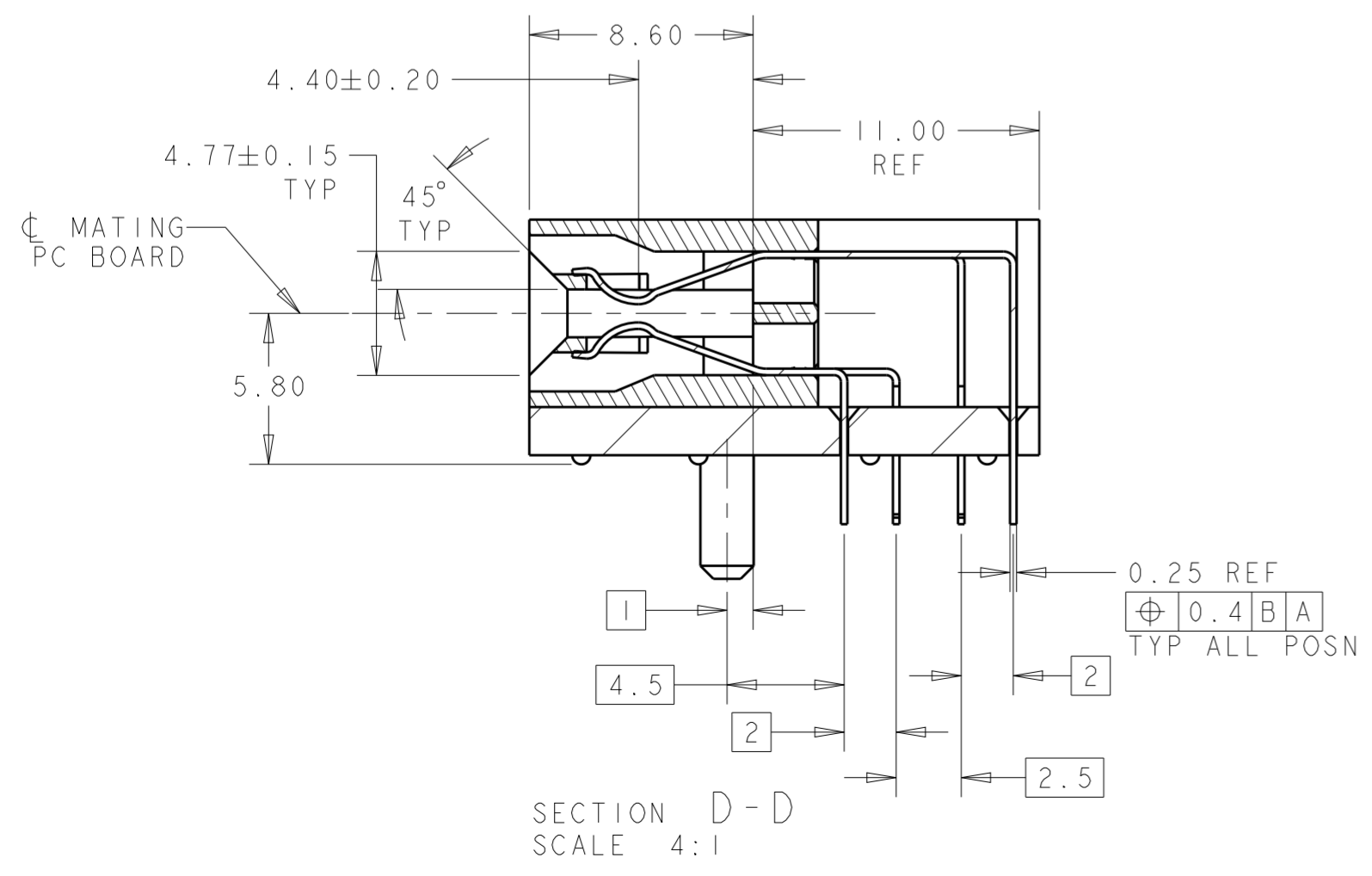
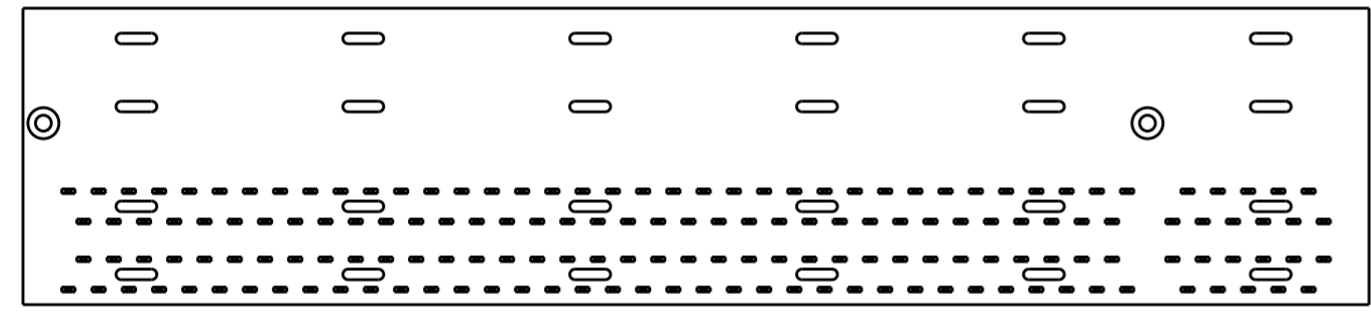


THIS DRAWING IS UNPUBLISHED. RELEASED FOR PUBLICATION 20
 © COPYRIGHT 20 BY TYCO ELECTRONICS CORPORATION. ALL RIGHTS RESERVED.

| LOC | DIST | REVISIONS | | | | | |
|-----|------|-----------|-----|----------------------------|-----------|-----|------|
| GP | 00 | P | LTR | DESCRIPTION | DATE | DWN | APVD |
| | | A | | RELEASED PER ECO-09-016675 | 07AUG2009 | CR | PR |
| | | B | | REVISED PER ECO-10-.013513 | 29JUN2010 | CJV | PAR |
| | | C | | REVISED PER ECO-15-015156 | 14MAR2016 | FL | SY |



- 1 MATERIAL: HOUSING: HIGH TEMP NYLON, UL 94V-0
 COLOR: BLACK
 TINE PLATE: LCP, UL 94V-0,
 COLOR: BLACK.
 CONTACT: PHOSPHOR BRONZE
- 2 FINISH: CONTACT AREA: GOLD PLATE 0.76 μ m MIN THICK OVER NICKEL UNDERPLATE.
 TINE AREA: TIN PLATE OVER NICKEL UNDERPLATE.
- 3 FINISH: CONTACT AREA: GOLD PLATE 0.38 μ m MIN THICK OVER NICKEL UNDERPLATE.
 TINE AREA: TIN PLATE OVER NICKEL UNDERPLATE.
- 4 COMPANY LOGO IN APPROXIMATE AREA SHOWN.
- 5 SLOT ACCEPTS STANDARD 1.57mm \pm 10% THICK ADD-IN CARD.



| | | | | | | | | | |
|---|--------|--------|------|--------|--------|--------|-----|----|-------------|
| 3 | 128.00 | 130.15 | 3.56 | 131.15 | 147.00 | 129.65 | 280 | - | 5-1761465-5 |
| 3 | 70.00 | 72.15 | 3.56 | 73.15 | 89.00 | 71.65 | 164 | 16 | 5-1761465-4 |
| 3 | 37.00 | 39.15 | 3.56 | 40.15 | 56.00 | 38.65 | 98 | 8 | 5-1761465-3 |
| 3 | 20.00 | 22.15 | 3.56 | 23.15 | 39.00 | 21.65 | 64 | 4 | 5-1761465-2 |
| 3 | 6.00 | 8.15 | 3.56 | 9.15 | 25.00 | 7.65 | 36 | 1 | 5-1761465-1 |
| 2 | 128.00 | 130.15 | 3.56 | 131.15 | 147.00 | 129.65 | 280 | - | 4-1761465-5 |
| 2 | 70.00 | 72.15 | 3.56 | 73.15 | 89.00 | 71.65 | 164 | 16 | 4-1761465-4 |
| 2 | 37.00 | 39.15 | 3.56 | 40.15 | 56.00 | 38.65 | 98 | 8 | 4-1761465-3 |
| 2 | 20.00 | 22.15 | 3.56 | 23.15 | 39.00 | 21.65 | 64 | 4 | 4-1761465-2 |
| 2 | 6.00 | 8.15 | 3.56 | 9.15 | 25.00 | 7.65 | 36 | 1 | 4-1761465-1 |
| 3 | 128.00 | 130.15 | 3.10 | 131.15 | 147.00 | 129.65 | 280 | - | 3-1761465-5 |
| 3 | 70.00 | 72.15 | 3.10 | 73.15 | 89.00 | 71.65 | 164 | 16 | 3-1761465-4 |
| 3 | 37.00 | 39.15 | 3.10 | 40.15 | 56.00 | 38.65 | 98 | 8 | 3-1761465-3 |
| 3 | 20.00 | 22.15 | 3.10 | 23.15 | 39.00 | 21.65 | 64 | 4 | 3-1761465-2 |
| 3 | 6.00 | 8.15 | 3.10 | 9.15 | 25.00 | 7.65 | 36 | 1 | 3-1761465-1 |
| 3 | 128.00 | 130.15 | 2.30 | 131.15 | 147.00 | 129.65 | 280 | - | 2-1761465-5 |
| 3 | 70.00 | 72.15 | 2.30 | 73.15 | 89.00 | 71.65 | 164 | 16 | 2-1761465-4 |
| 3 | 37.00 | 39.15 | 2.30 | 40.15 | 56.00 | 38.65 | 98 | 8 | 2-1761465-3 |
| 3 | 20.00 | 22.15 | 2.30 | 23.15 | 39.00 | 21.65 | 64 | 4 | 2-1761465-2 |
| 3 | 6.00 | 8.15 | 2.30 | 9.15 | 25.00 | 7.65 | 36 | 1 | 2-1761465-1 |
| 2 | 128.00 | 130.15 | 3.10 | 131.15 | 147.00 | 129.65 | 280 | - | 1-1761465-5 |
| 2 | 70.00 | 72.15 | 3.10 | 73.15 | 89.00 | 71.65 | 164 | 16 | 1-1761465-4 |
| 2 | 37.00 | 39.15 | 3.10 | 40.15 | 56.00 | 38.65 | 98 | 8 | 1-1761465-3 |
| 2 | 20.00 | 22.15 | 3.10 | 23.15 | 39.00 | 21.65 | 64 | 4 | 1-1761465-2 |
| 2 | 6.00 | 8.15 | 3.10 | 9.15 | 25.00 | 7.65 | 36 | 1 | 1-1761465-1 |
| 2 | 128.00 | 130.15 | 2.30 | 131.15 | 147.00 | 129.65 | 280 | - | 1761465-5 |
| 2 | 70.00 | 72.15 | 2.30 | 73.15 | 89.00 | 71.65 | 164 | 16 | 1761465-4 |
| 2 | 37.00 | 39.15 | 2.30 | 40.15 | 56.00 | 38.65 | 98 | 8 | 1761465-3 |
| 2 | 20.00 | 22.15 | 2.30 | 23.15 | 39.00 | 21.65 | 64 | 4 | 1761465-2 |
| 2 | 6.00 | 8.15 | 2.30 | 9.15 | 25.00 | 7.65 | 36 | 1 | 1761465-1 |

| | | | |
|--|--|--|--|
| THIS DRAWING IS A CONTROLLED DOCUMENT FOR TYCO ELECTRONICS CORPORATION IT IS SUBJECT TO CHANGE AND THE CONTROLLING ENGINEERING ORGANIZATION SHOULD BE CONTACTED FOR THE LATEST REVISION. | | DWN R. TREA 09SEP2004 CHK D. DEFIBAUGH 09SEP2004 APVD D. DEFIBAUGH 09SEP2004 | Tyco Electronics Tyco Electronics Harrisburg, PA 17105-3608 |
| DIMENSIONS: mm | TOLERANCES UNLESS OTHERWISE SPECIFIED: 0 PLC \pm 1 PLC ± 0.5 2 PLC ± 0.13 3 PLC ± 0.013 4 PLC \pm ANGLES $\pm 2^\circ$ FINISH | PRODUCT SPEC APPLICATION SPEC WEIGHT | NAME PCI EXPRESS CARD EDGE CONNECTOR ASSEMBLY RIGHT ANGLE, 5.8mm SLOT HEIGHT THROUGH HOLE, ExpressModule TYPE |
| MATERIAL | 1 | CUSTOMER DRAWING | SIZE A2 CAGE CODE 00779 DRAWING NO. C-1761465 RESTRICTED TO |
| | | SCALE 2:1 | SHEET 1 OF 3 REV C |

THIS DRAWING IS UNPUBLISHED. RELEASED FOR PUBLICATION 20
 © COPYRIGHT 20 BY TYCO ELECTRONICS CORPORATION. ALL RIGHTS RESERVED.

| LOC | DIST | REVISIONS | | | | | |
|-----|------|-----------|-----|-------------|------|-----|------|
| GP | 00 | P | LTR | DESCRIPTION | DATE | DWN | APVD |
| | | - | | SEE SHEET 1 | | | |



RIGHT ANGLE, ExpressModule
 PCB LAYOUT
 SCALE 5:1

6 MANUFACTURING TOLERANCE FOR Ø0.70±0.05 DIAMETER FINISHED HOLE WITH SnPB PLATING:
 DRILLED HOLE = Ø0.79±0.02
 COPPER PLATING = 0.025-0.050
 SnPB PLATING = 0.0038-0.0124
 OR Ø0.715±0.050 FINISHED HOLE WITHOUT SnPB PLATING
 DRILLED HOLE = Ø0.79±0.02
 COPPER PLATING = 0.025-0.050

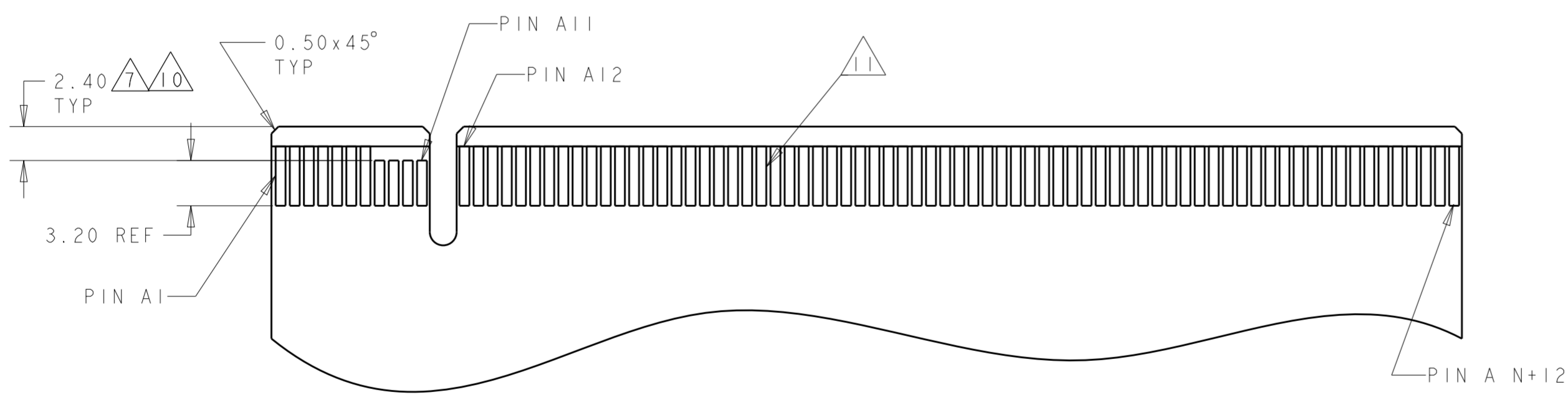
| | | | | |
|---|--|-----------------------------------|--|--------------------------|
| THIS DRAWING IS A CONTROLLED DOCUMENT FOR TYCO ELECTRONICS CORPORATION. IT IS SUBJECT TO CHANGE AND THE CONTROLLING ENGINEERING ORGANIZATION SHOULD BE CONTACTED FOR THE LATEST REVISION. | | DWN R. TREA 09SEP2004 | Tyco Electronics Harrisburg, PA 17105-3608 | |
| DIMENSIONS: mm | | CHK D. DEEIBAUGH 09SEP2004 | NAME PCI EXPRESS CARD EDGE CONNECTOR ASSEMBLY RIGHT ANGLE, 5.8mm SLOT HEIGHT THROUGH HOLE, ExpressModule TYPE | |
| TOLERANCES UNLESS OTHERWISE SPECIFIED: 0 PLC ± 1 PLC ±0.5 2 PLC ±0.13 3 PLC ±0.013 4 PLC ± ANGLES ±2° FINISH | | APVD D. DEEIBAUGH 09SEP2004 | PRODUCT SPEC APPLICATION SPEC WEIGHT CUSTOMER DRAWING | |
| MATERIAL | | SIZE A2 | CAGE CODE 00779 | DRAWING NO. C-1761465 |
| | | SCALE 4:1 | SHEET 2 | OF 3 REV C |

THIS DRAWING IS UNPUBLISHED. RELEASED FOR PUBLICATION 20
 © COPYRIGHT 20 BY TYCO ELECTRONICS CORPORATION. ALL RIGHTS RESERVED.

| LOC | DIST | REVISIONS | | | | | |
|-----|------|-----------|-----|-------------|------|-----|------|
| GP | 00 | P | LTR | DESCRIPTION | DATE | DWN | APVD |
| | | - | | SEE SHEET 1 | | | |



SEE SHEET 1



- 7 DIMENSION ONLY APPLIES TO "LAST MATE" PINS.
- 8 CARD THICKNESS APPLIES ACROSS PAD SURFACES AND INCLUDES PLATING AND/OR METALIZATION.
- 9 CHAMFER EDGES MUST BE FREE OF CUTTING BURRS.
- 10 NO TIE BAR PERMITTED FROM CARD EDGE TO LEADING EDGE OF "LAST MATE" PADS.
- 11 GOLD CONTACT PADS: ELECTROLESS GOLD PLATE 0.76µm MIN THICK OVER ELECTROLESS NICKEL PLATING 2µm MIN THICK.
- 12. PC BOARD SUPPLIER IS RESPONSIBLE FOR MAINTAINING ALL DIMENSIONS OF PC BOARD EDGE.
- 13 FLATNESS REQUIREMENT APPLIES FROM EDGE OF PC BOARD TO TOP OF KEY

ExpressModule LAYOUT (MATING PART ONLY)

| | | |
|------------------------|------|------|
| A1, B17, B31, B48, B81 | 280 | - |
| A1, B17, B31, B48, B81 | 164 | 16 |
| A1, B17, B31, B48 | 98 | 8 |
| A1, B17, B31 | 64 | 4 |
| A1, B17 | 36 | 1 |
| LAST MATE PINS | POS. | PORT |

| | | | | |
|---|--|----------------------------------|--|-------------------------|
| THIS DRAWING IS A CONTROLLED DOCUMENT FOR TYCO ELECTRONICS CORPORATION. IT IS SUBJECT TO CHANGE AND THE CONTROLLING ENGINEERING ORGANIZATION SHOULD BE CONTACTED FOR THE LATEST REVISION. | | DWN R. TREA 09SEP2004 | Tyco Electronics Harrisburg, PA 17105-3608 | |
| DIMENSIONS: mm | | CHK D. DEFLAUGH 09SEP2004 | NAME PCI EXPRESS CARD EDGE CONNECTOR ASSEMBLY RIGHT ANGLE, 5.8mm SLOT HEIGHT THROUGH HOLE, ExpressModule TYPE | |
| TOLERANCES UNLESS OTHERWISE SPECIFIED: 0 PLC ±0.5 1 PLC ±0.13 2 PLC ±0.13 3 PLC ±0.013 4 PLC ±0.13 ANGLES ±2° FINISH | | APVD D. DEFLAUGH 09SEP2004 | SIZE A2 | |
| MATERIAL | | PRODUCT SPEC | CAGE CODE 00779 | DRAWING NO C-1761465 |
| | | APPLICATION SPEC | RESTRICTED TO | |
| | | WEIGHT | SCALE 4:1 | SHEET 3 OF 3 |
| | | CUSTOMER DRAWING | REV C | |

Mouser Electronics

Authorized Distributor

Click to View Pricing, Inventory, Delivery & Lifecycle Information:

[TE Connectivity:](#)

[3-1761465-1](#)