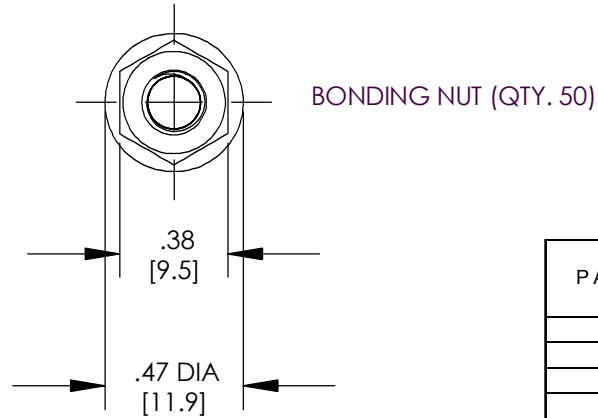
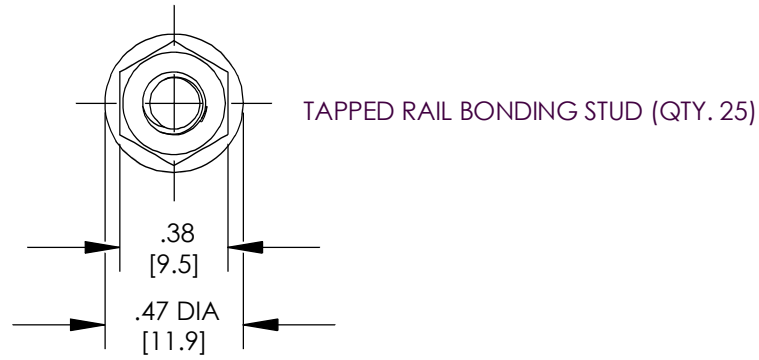
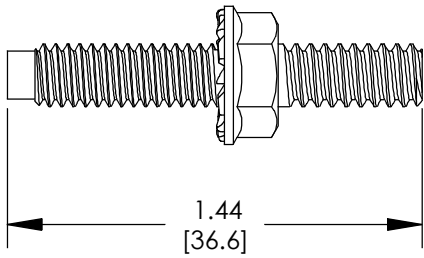


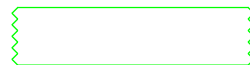
THIS COPY IS PROVIDED ON A RESTRICTED BASIS AND IS NOT TO BE USED IN ANY WAY DETRIMENTAL TO THE INTERESTS OF PANDUIT CORP.



NOTES:

1. TAPPED RAIL BONDING STUD KITS
PART NUMBER: TRBSK
TRBS1032K
TRBSM6K
TRBSM5K
2. PACKAGING: 4 KITS PER BOX
3. DIMENSIONS IN PARENTHESIS ARE MILLIMETERS.
4. ALL COMPONENTS THAT MAKE UP THIS KIT ARE RoHS COMPLIANT.

PART NUMBER	TAPPED RAIL BONDING STUD SIZE	QTY.	BONDING NUT SIZE	QTY.
TRBSK	#12-24	25	#12-24	50
TRBS1032K	#10-32	25	#10-32	50
TRBSM6K	M6	25	M6	50
TRBSM5K	M5	25	M5	50



5cc TUBE ANTI-OXIDANT PASTE (QTY. 1)

C41700_00

REV	DATE	BY	CHK	DESCRIPTION	ECN	PM	CUST
00	2/07	JHNU	JMAR	DRAWING RELEASED	PC00674		

PANDUIT CORP. TINLEY PARK, ILLINOIS

TAPPED RAIL BONDING STUD KITS
(TRBSK, TRBS1032K, TRBSM6K, TRBSM5K)
CUSTOMER DRAWING

DRAWN BY JHNU CHK'D SCALE NONE DRAWING NO / CAD FILE C41700

Mouser Electronics

Authorized Distributor

Click to View Pricing, Inventory, Delivery & Lifecycle Information:

Panduit:

[TRBS1032K](#) [TRBSM5K](#)