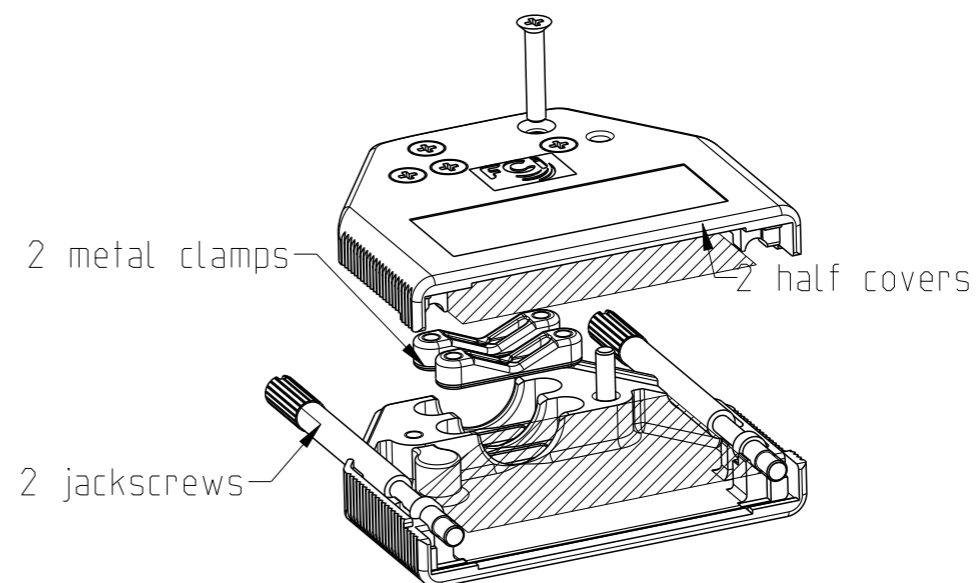
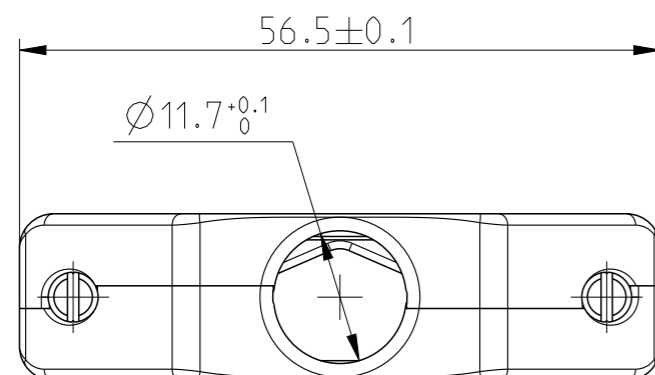


SIZE	Part Number	Jack Screw Thread	Packing
25	8655MH2501LF	UNC 4-40	bulk : Qty 60
	8655MH2511LF		individual set 50 sets/carton
	8655MH2502LF	M3	bulk : Qty 60
	8655MH2512LF		individual set 50 sets/carton

NOTE:RoHS INFORMATIONS

-The LF product meets European union Directives and other country regulations as described in GS-22-009
 -The product is not intended to be exposed to a manufacturing solder process
 -Packaging spec:see GS-14-920

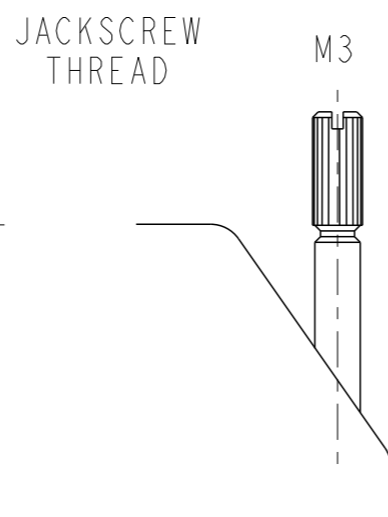
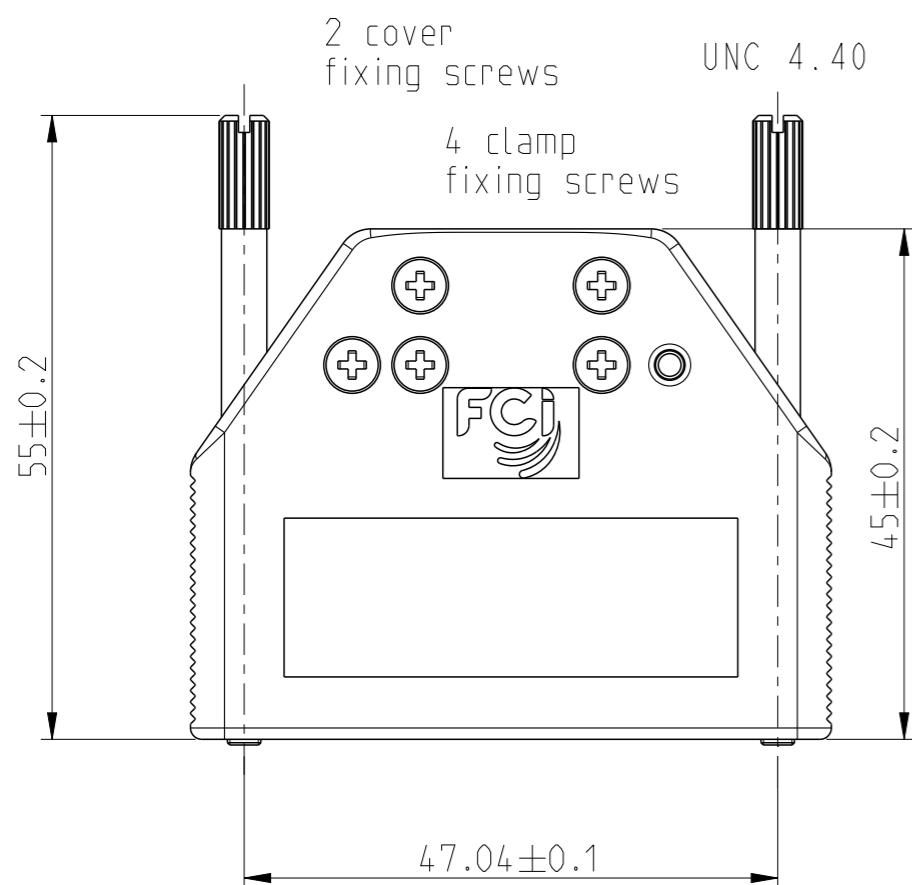


SCALE 1:1

NOTES : for every sizes

Material and finish : Zinc die-cast
 nickel plated
 Cable strain relief : Zinc die-cast
 Jackscrew : Brass, nickel plated
 UNC 4-40 or M3 (see tables)
 Temperature range : -55°C to +125°C
 Attenuation factor : >40 dB between 10 MHz

Other size details : see on next pages.



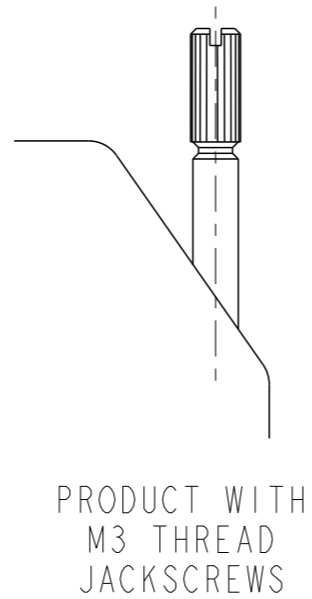
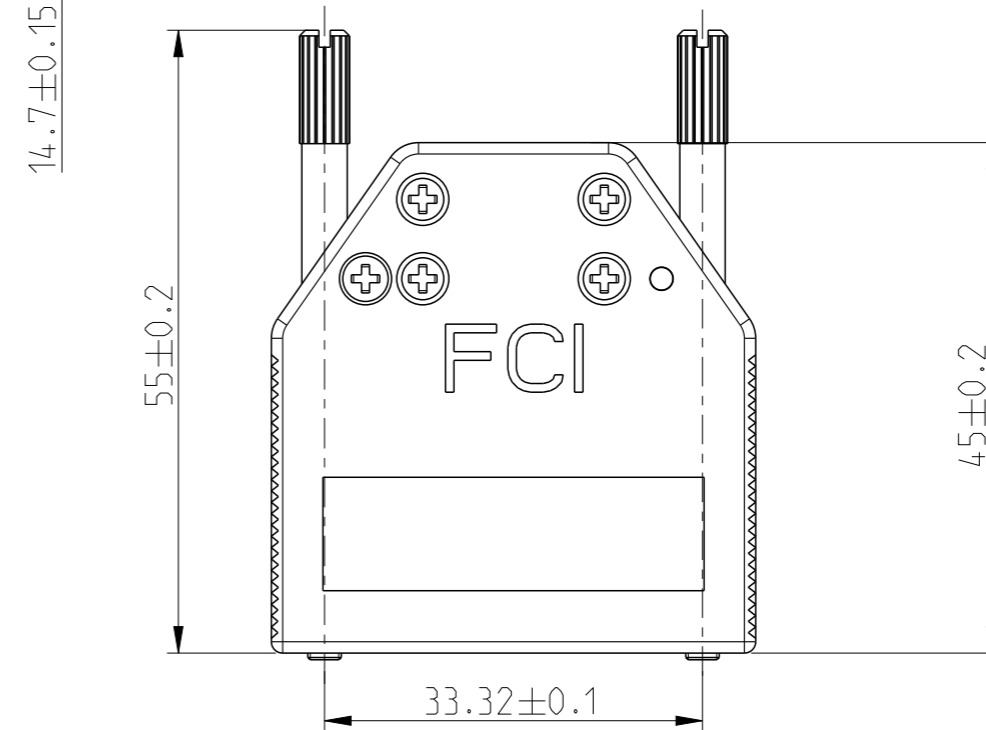
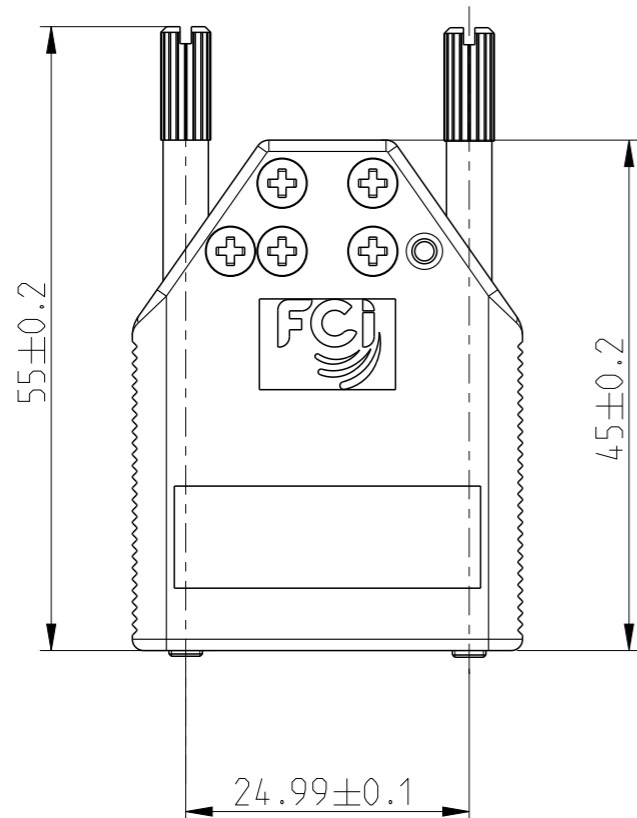
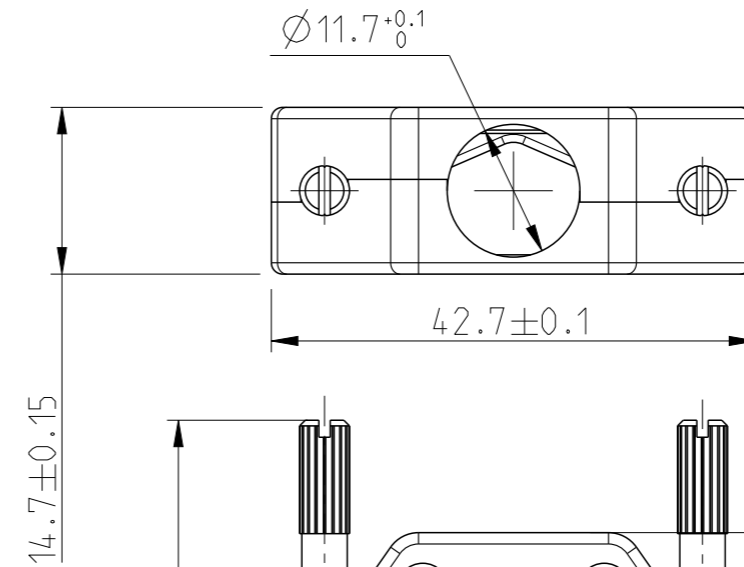
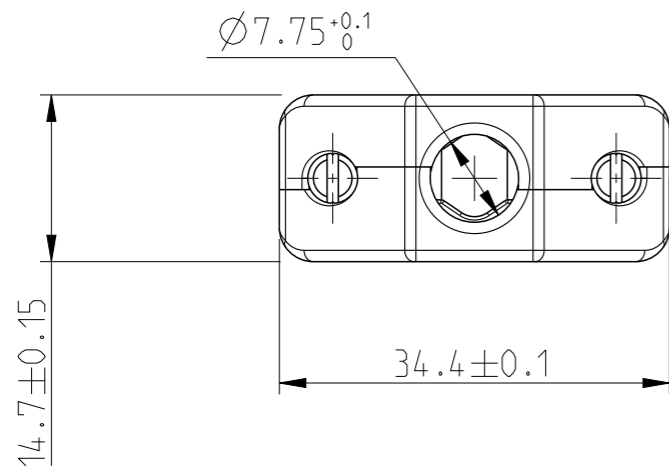
spec ref	dr	A Parrenin	2009/05/20	projection	mm	size	A3	scale	3:2
tolerance std	eng	J Dalibard	2015/09/10			ecn no	ELX-B-20414-1	rel level	Released
ISO 406 ISO 1101	chr	J Dalibard	2015/09/10						
surface	appr	Aymeric Soudy	2015/09/11			rel level	Released	rev	D
ISO 1302	linear	0.X	±/	STRAIGHT METAL HOODS WITH 2 METAL CLAMPS		dwg no	C-8655-1685C	cat. no.	-
	angular	0°	±/°	www.fci.com		Product - Customer Drw	sheet 1 of 4		



Copyright FCI.

SIZE	Part Number	Jack Screw Thread	Packing
09	8655MH0901LF	UNC 4-40	bulk : Qty 80
	8655MH0911LF		individual set 50 sets/carton
	8655MH0902LF	M3	bulk : Qty 80
	8655MH0912LF		individual set 50 sets/carton

SIZE	Part Number	Jack Screw Thread	Packing
15	8655MH1501LF	UNC 4-40	bulk : Qty 80
	8655MH1511LF		individual set 50 sets/carton
	8655MH1502LF	M3	bulk : Qty 80
	8655MH1512LF		individual set 50 sets/carton



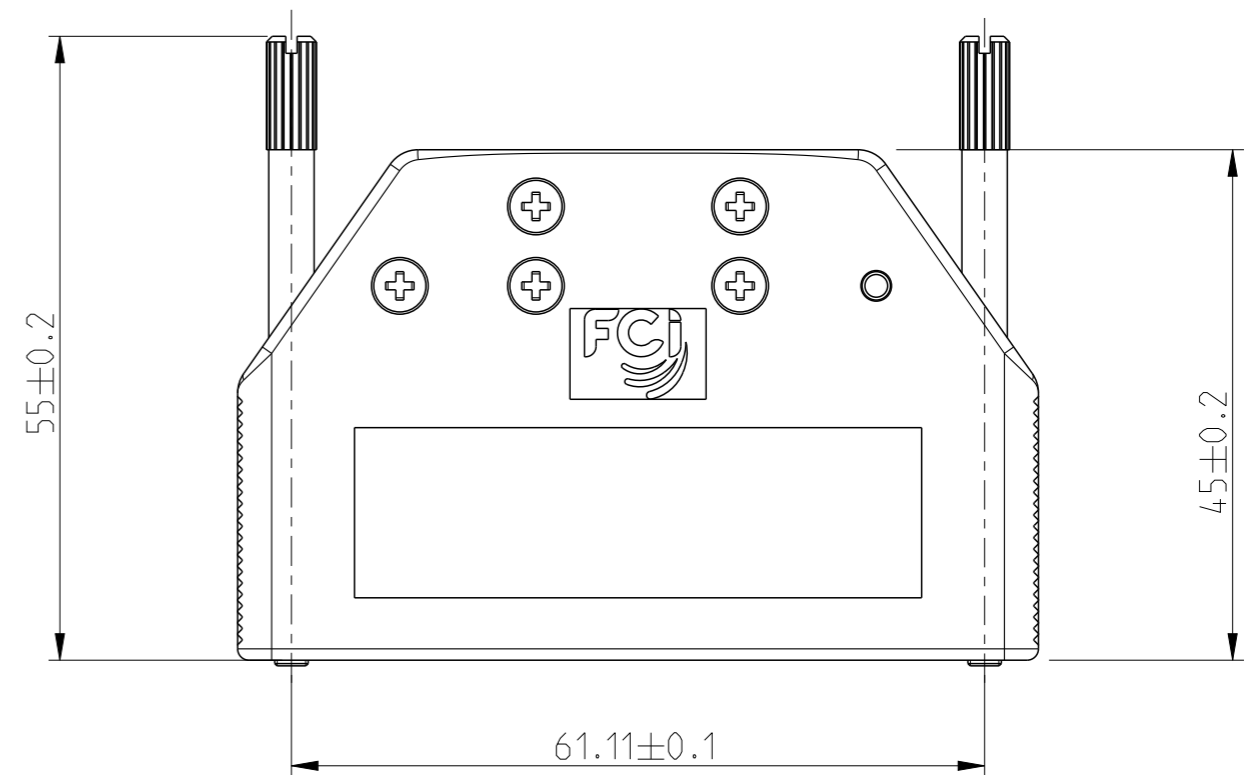
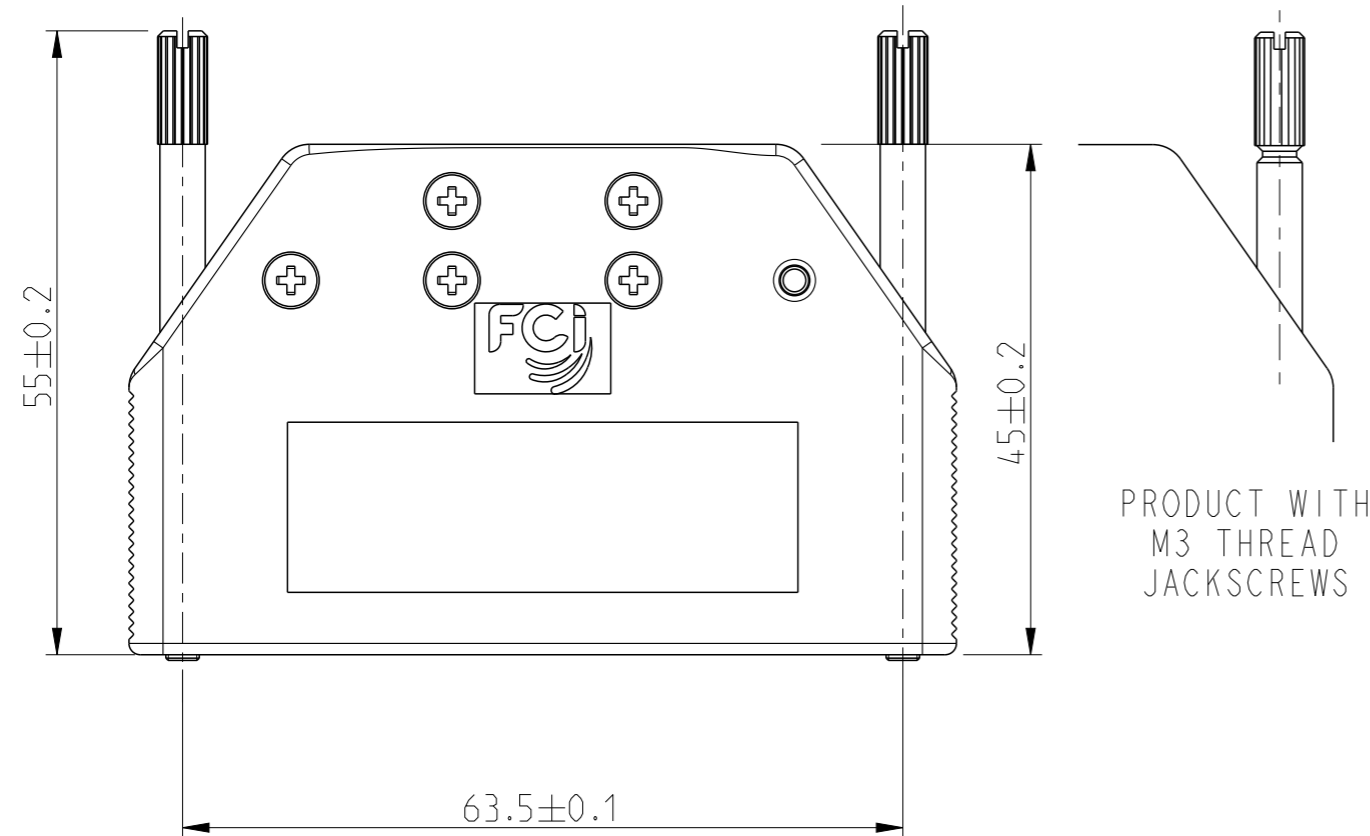
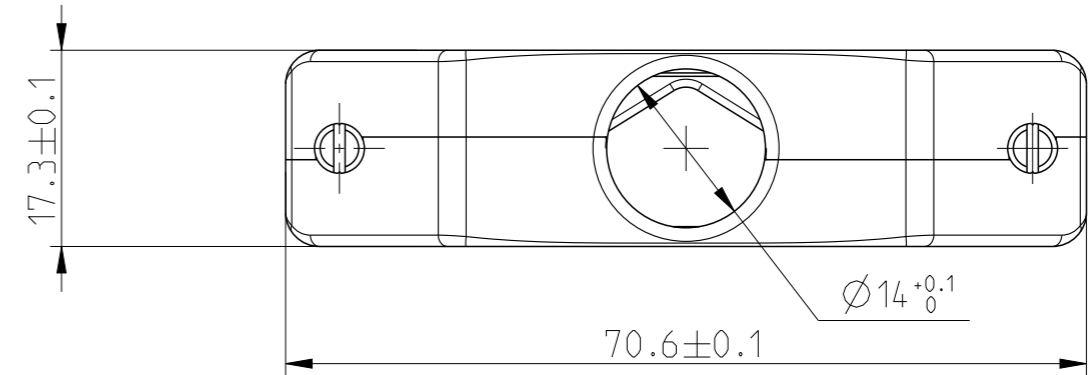
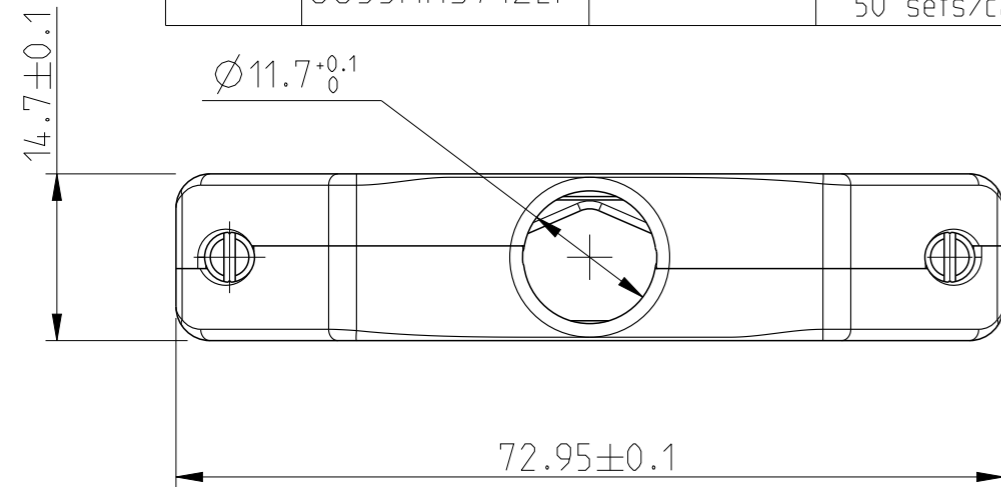
spec ref	dr	A Parrenin	2009/05/20	projection	mm	size	A3	scale	3:2
tolerance std	eng	J Dalibard	2015/09/10			ecn no	ELX-B-20414-1		
ISO 406 ISO 1101	chr	J Dalibard	2015/09/10			rel level	Released		
surface	appr	Aymeric Soudy	2015/09/11	product family	-	rel level	Released		
ISO 1302	linear	0.X	±/		title STRAIGHT METAL HOODS WITH 2 METAL CLAMPS	dwg no C-8655-1685C	rev D		
		0.XX	±/						
	angular	0°	±/°						
www.fci.com				cat. no.	-	Product - Customer Drw		sheet 2 of 4	



Copyright FCI.

SIZE	Part Number	Jack Screw Thread	Packing
37	8655MH3701LF	UNC 4-40	bulk : Qty 40
	8655MH3711LF		individual set 50 sets/carton
	8655MH3702LF	M3	bulk : Qty 40
	8655MH3712LF		individual set 50 sets/carton

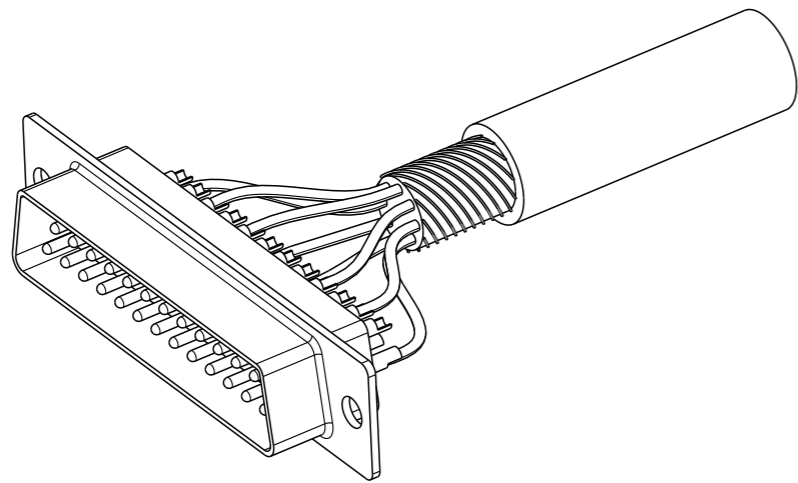
SIZE	Part Number	Jack Screw Thread	Packing
50	8655MH5001LF	UNC 4-40	bulk : Qty 40
	8655MH5011LF		individual set 50 sets/carton
	8655MH5002LF	M3	bulk : Qty 40
	8655MH5012LF		individual set 50 sets/carton



spec ref	dr	A Parrenin	2009/05/20	projection	mm	size	A3	scale	3:2
tolerance std	eng	J Dalibard	2015/09/10			ecn no	ELX-B-20414-1	rel level	Released
ISO 406 ISO 1101	chr	J Dalibard	2015/09/10						
surface	appr	Aymeric Soudy	2015/09/11			rel level	Released		rev
ISO 1302	linear	0.X	±/	FCj		dwg no	C-8655-1685C		D
		0.XX	±/	www.fci.com		cat. no.	-		Product - Customer Drw
		0.XXX	±/	STRAIGHT METAL HOODS WITH 2 METAL CLAMPS		sheet 3 of 4			
	angular	0°	±/°	PDS: Rev :D		STATUS:Released		Printed: Sep 11, 2015	

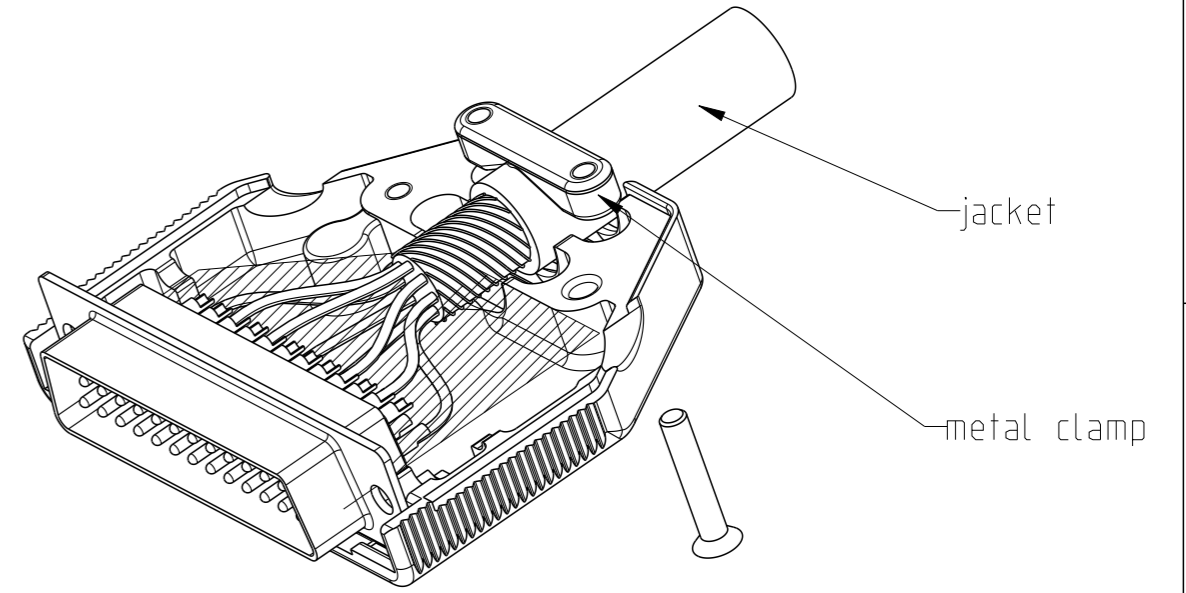
CABLING INSTRUCTIONS

1- Strip the cable and solder or crimp the wires



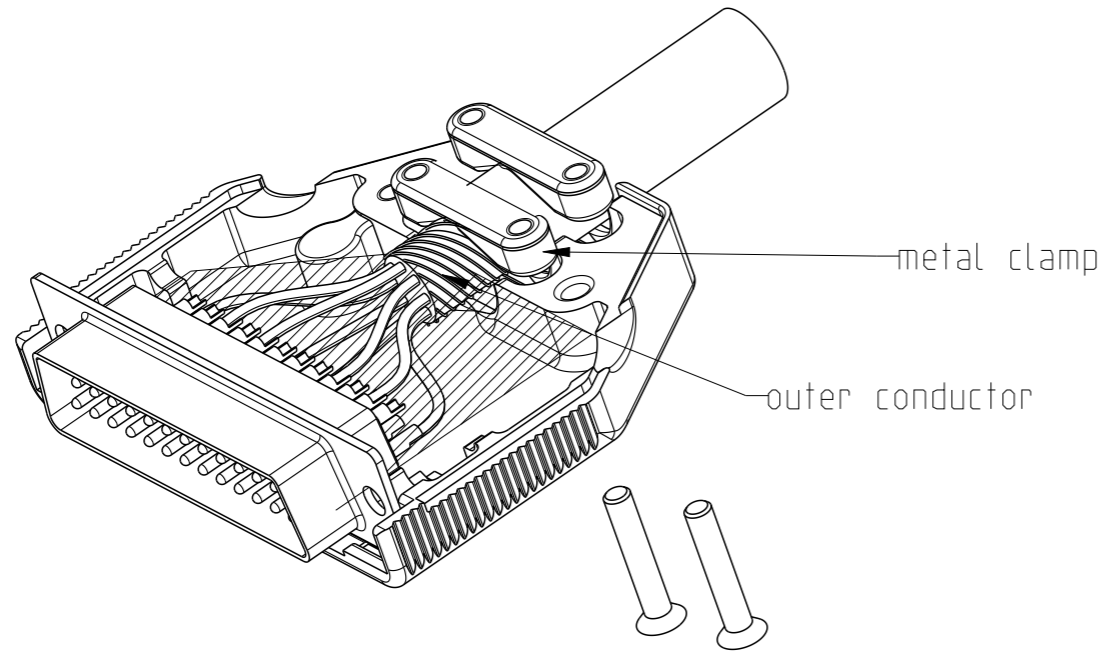
SCALE 3:2

2-Put the connector into a half hood and tighten the jacket with a metal clamp



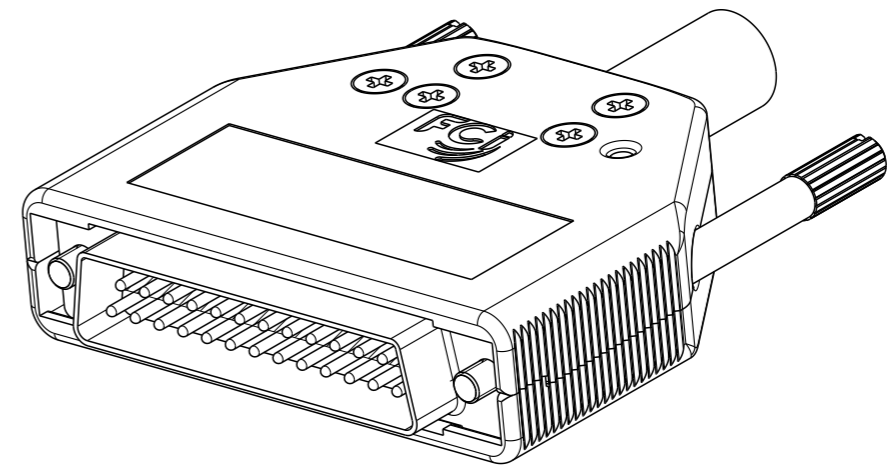
SCALE 3:2

3-To get the electrical continuity between the cable outer conductor and the hood tighten the outer conductor with the other metal clamp as shown



SCALE 3:2

4-Mount the jackscrews, the other half hood and tighten with 2 screws



Copyright FCI.

spec ref		dr	A Parrenin	2009/05/20	projection 	mm ←→	size	A3	scale	1:1
tolerance std ISO 406 ISO 1101		eng	J Dalibard	2015/09/10			ecn no	ELX-B-20414-1		
TOLERANCES UNLESS OTHERWISE SPECIFIED		chr	J Dalibard	2015/09/10	product family	rel level	Released			
		appr	Aymeric Soudy	2015/09/11						
surface	ISO 1302	linear	0.X	±/	 title STRAIGHT METAL HOODS WITH 2 METAL CLAMPS www.fci.com	dwg no C-8655-1685C	rev D	Product - Customer Drw		
		angular	0°	±/°				cat. no.	sheet 4 of 4	

Mouser Electronics

Authorized Distributor

Click to View Pricing, Inventory, Delivery & Lifecycle Information:

[FCI / Amphenol:](#)

[8655MH1501LF](#) [8655MH1512LF](#)