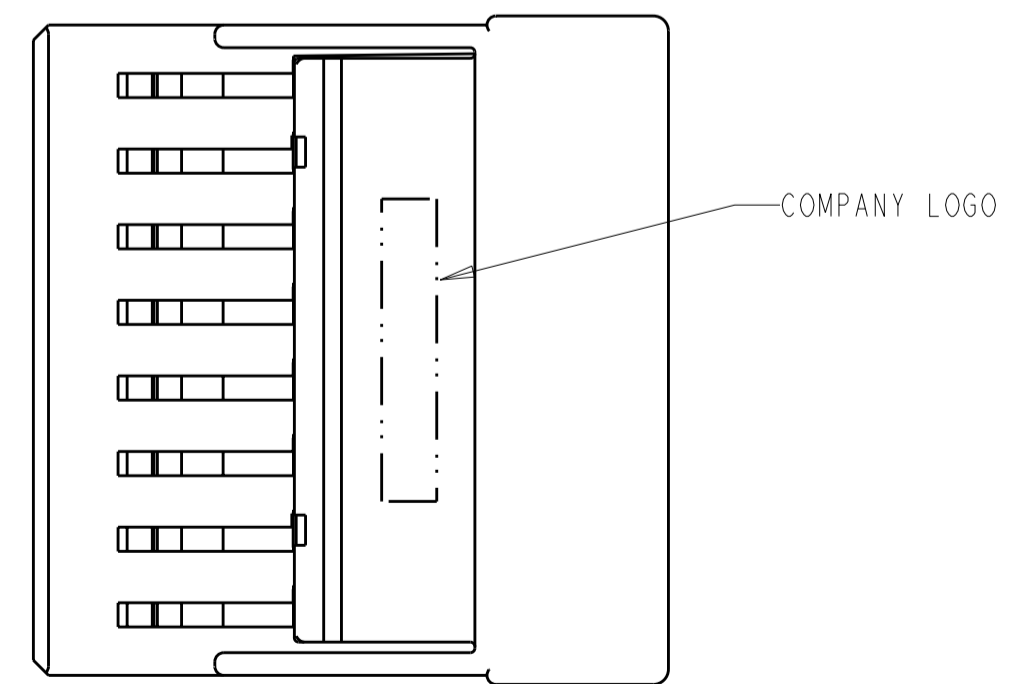
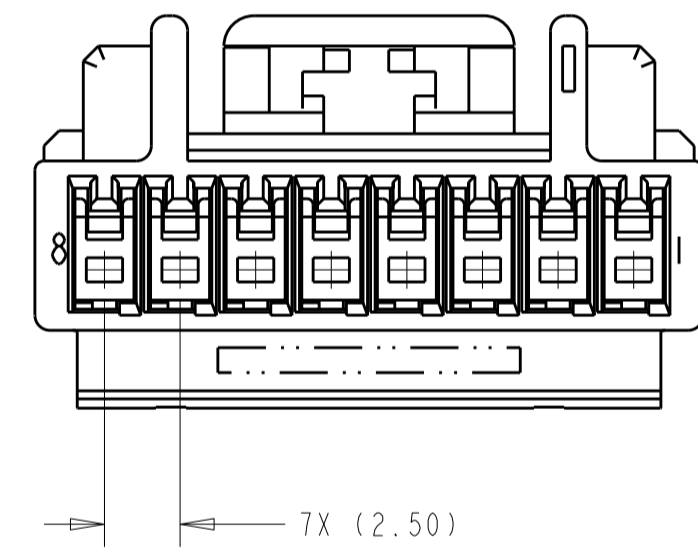
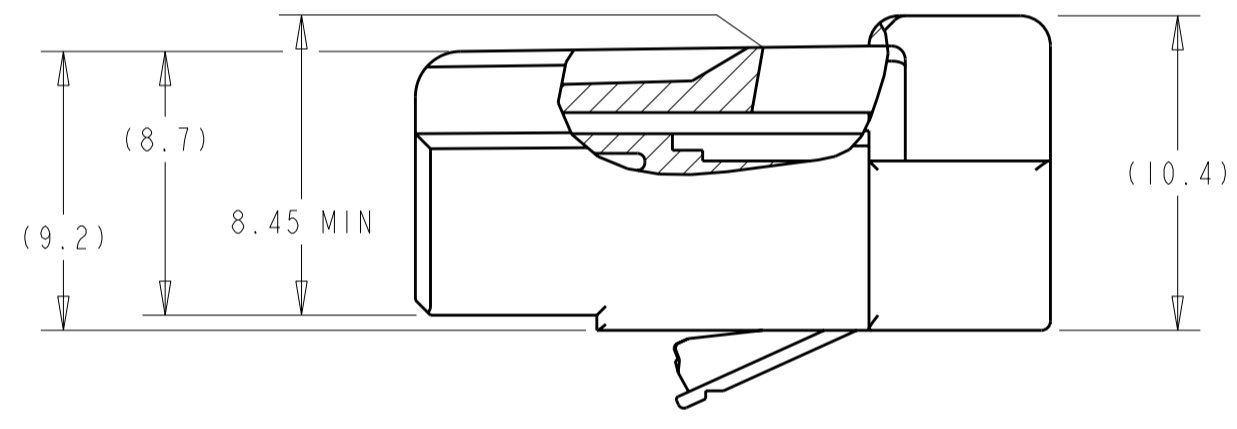
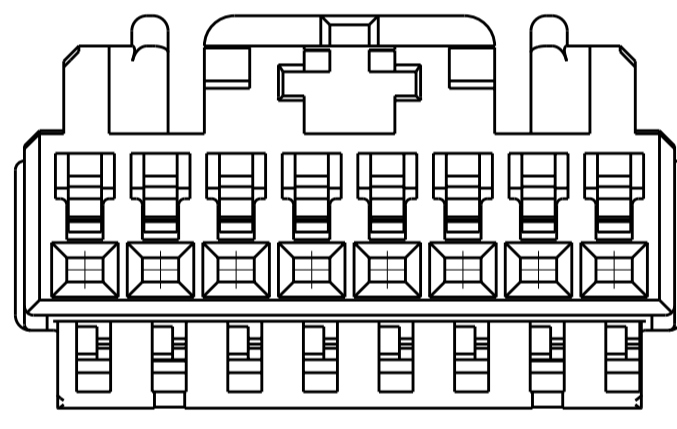
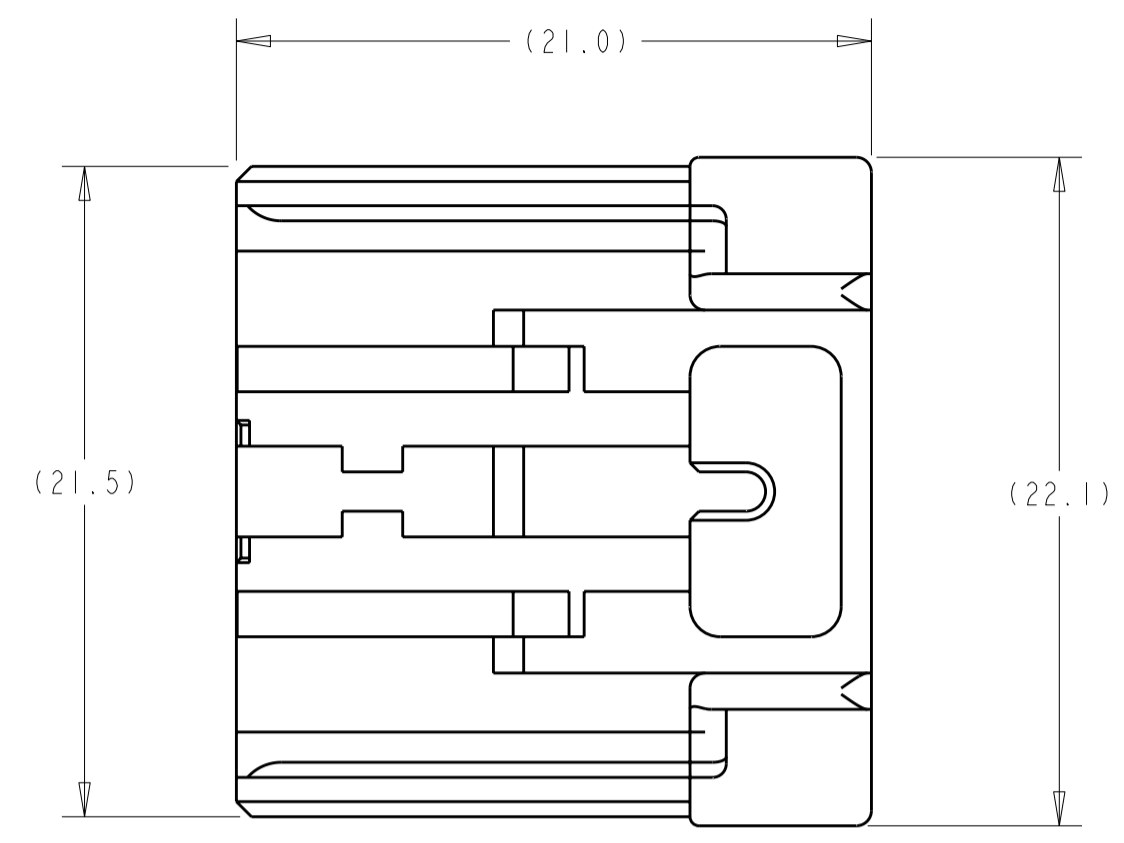
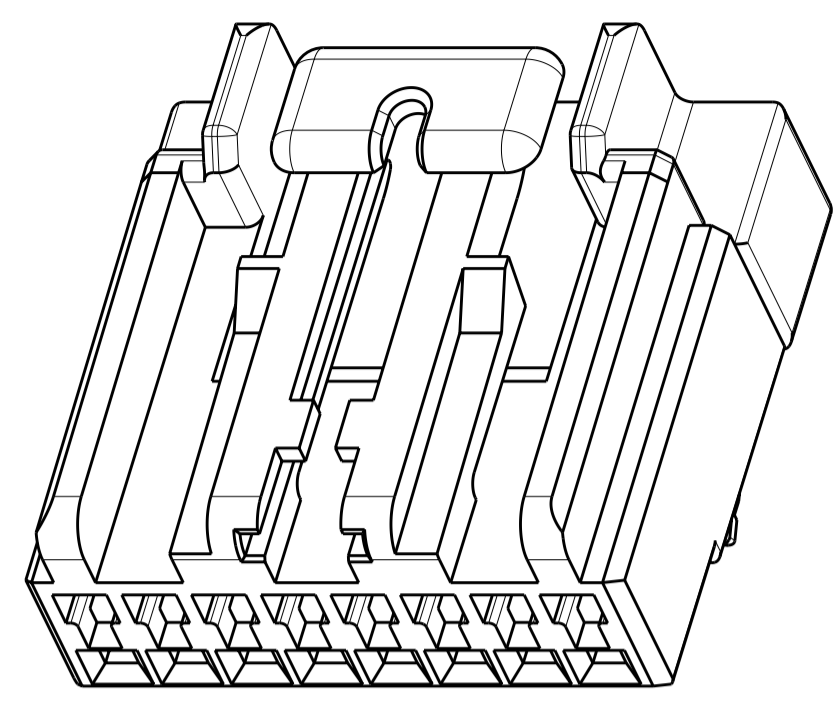


THIS DRAWING IS UNPUBLISHED. RELEASED FOR PUBLICATION
 © COPYRIGHT 20 BY TYCO ELECTRONICS CORPORATION. ALL INTERNATIONAL RIGHTS RESERVED.

| LOC | DIST | REVISIONS | | | |
|-----|------|-------------|---------------------------|-----------|-------|
| P | LTR | DESCRIPTION | DATE | DWN | APVD |
| FX | 00 | B1 | REVISED PER ECO-10-011214 | 27MAY2010 | DD SA |



1. APPLICABLE FEMALE TERMINAL PART NUMBERS: 175265 TIN PLATING
175266 GOLD PLATING
2. MATING PCB CAP ASSEMBLY PART NUMBER: 9-638973-2.
3. TERMINAL INSTRUCTION 408-8652 APPLIES.

| | |
|-------|-------------|
| BLACK | 638971-2 |
| COLOR | PART NUMBER |

| | | | |
|--|---|---|---|
| <small>THIS DRAWING IS A CONTROLLED DOCUMENT FOR TYCO ELECTRONICS CORPORATION. IT IS SUBJECT TO CHANGE AND THE CONTROLLING ENGINEERING ORGANIZATION SHOULD BE CONTACTED FOR THE LATEST REVISION.</small> | | DWN A HOLT 07JAN2002 CHK S ASHLEY 07JAN2002 APVD S ASHLEY 07JAN2002 | Tyco Electronics Tyco Electronics Harrisburg, PA 17105-3608 |
| DIMENSIONS: mm | TOLERANCES UNLESS OTHERWISE SPECIFIED: 0 PLC ± 1 PLC ±0.3 2 PLC ± 3 PLC ± 4 PLC ± ANGLES ±° FINISH | PRODUCT SPEC 108-5244 APPLICATION SPEC 114-5159 WEIGHT 2.32g | NAME 8 POSITION PLUG HOUSING, SIDE LOCK/CPA, .040 II SERIES MULTI-LOCK SIZE A2 CAGE CODE 00779 DRAWING NO. C-638971 RESTRICTED TO - SCALE 4:1 SHEET 1 OF 1 REV B1 |
| MATERIAL PBT | CUSTOMER DRAWING | | |

Mouser Electronics

Authorized Distributor

Click to View Pricing, Inventory, Delivery & Lifecycle Information:

[TE Connectivity:](#)

[638971-2](#)