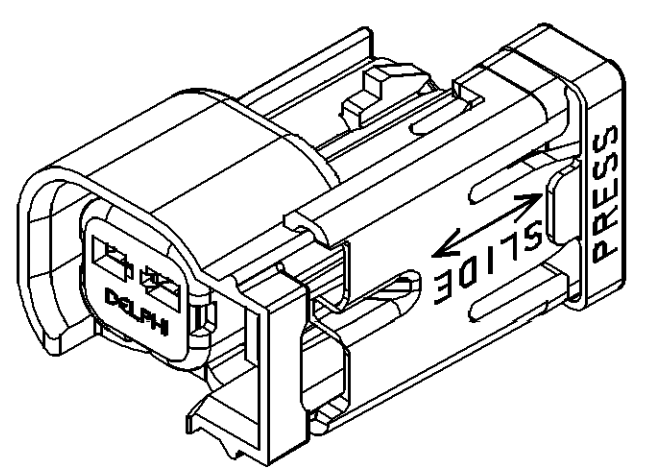
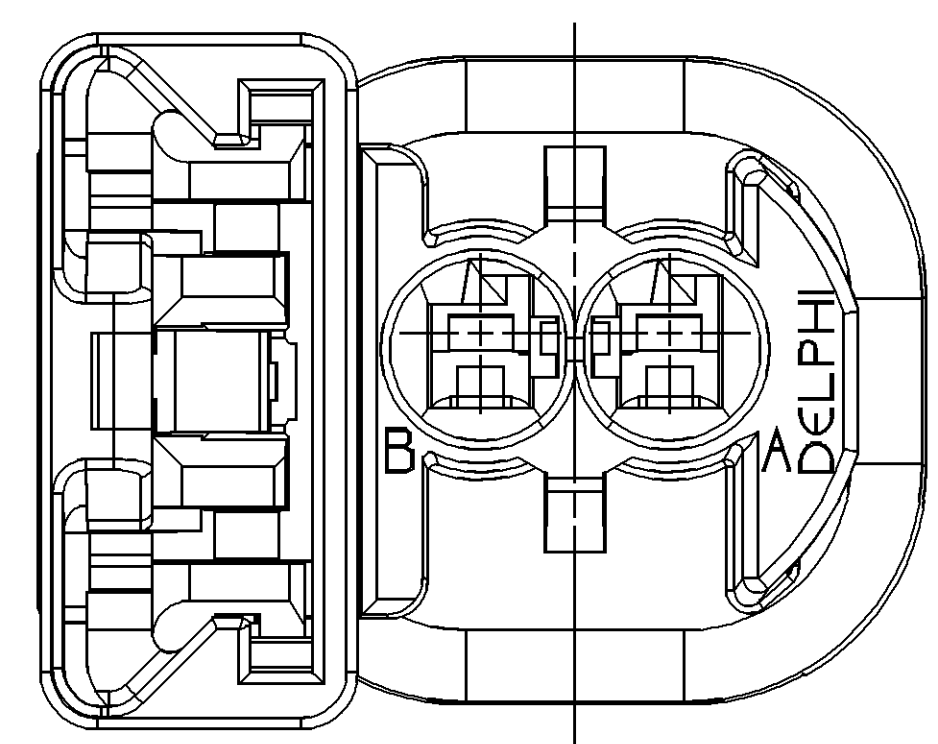
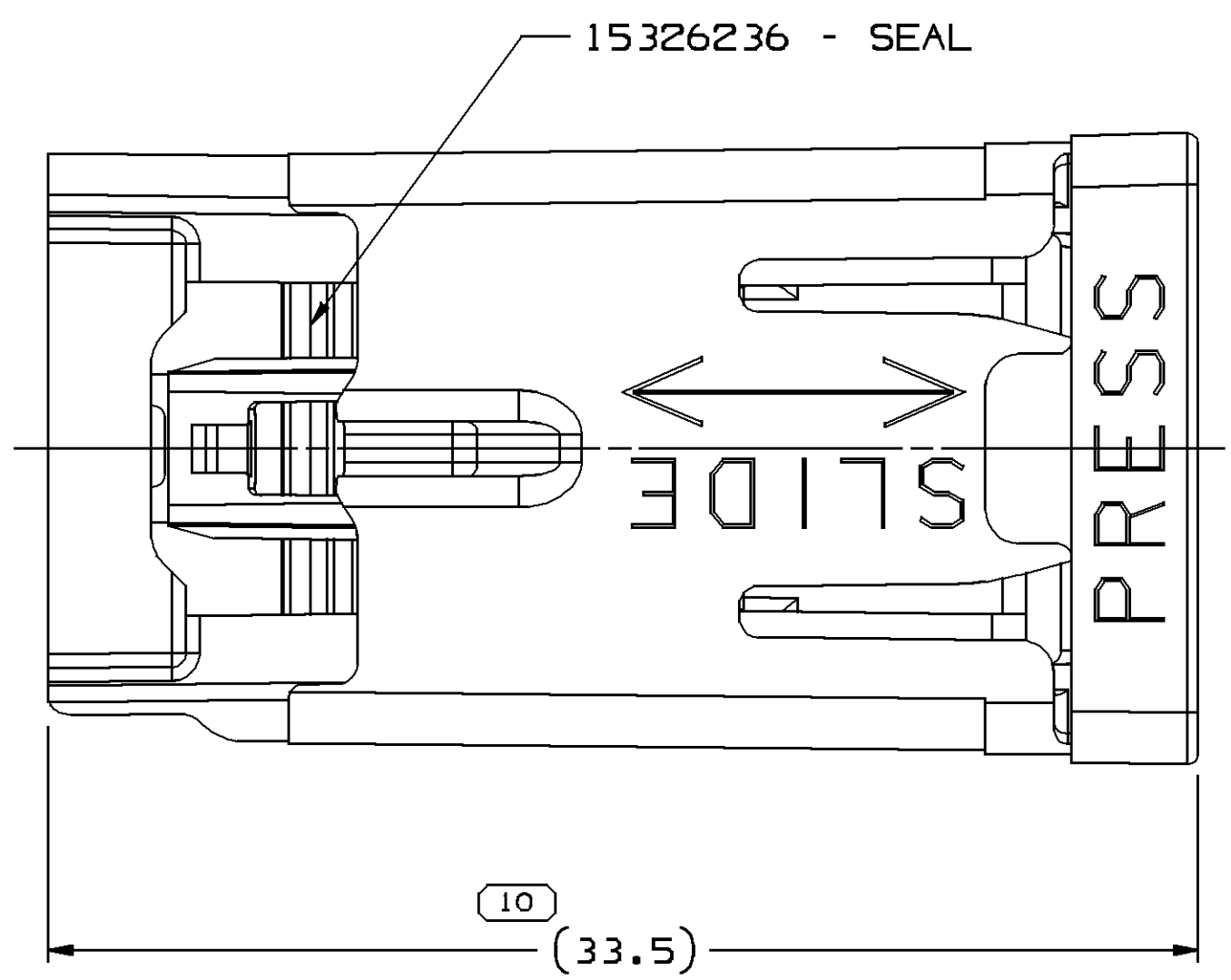
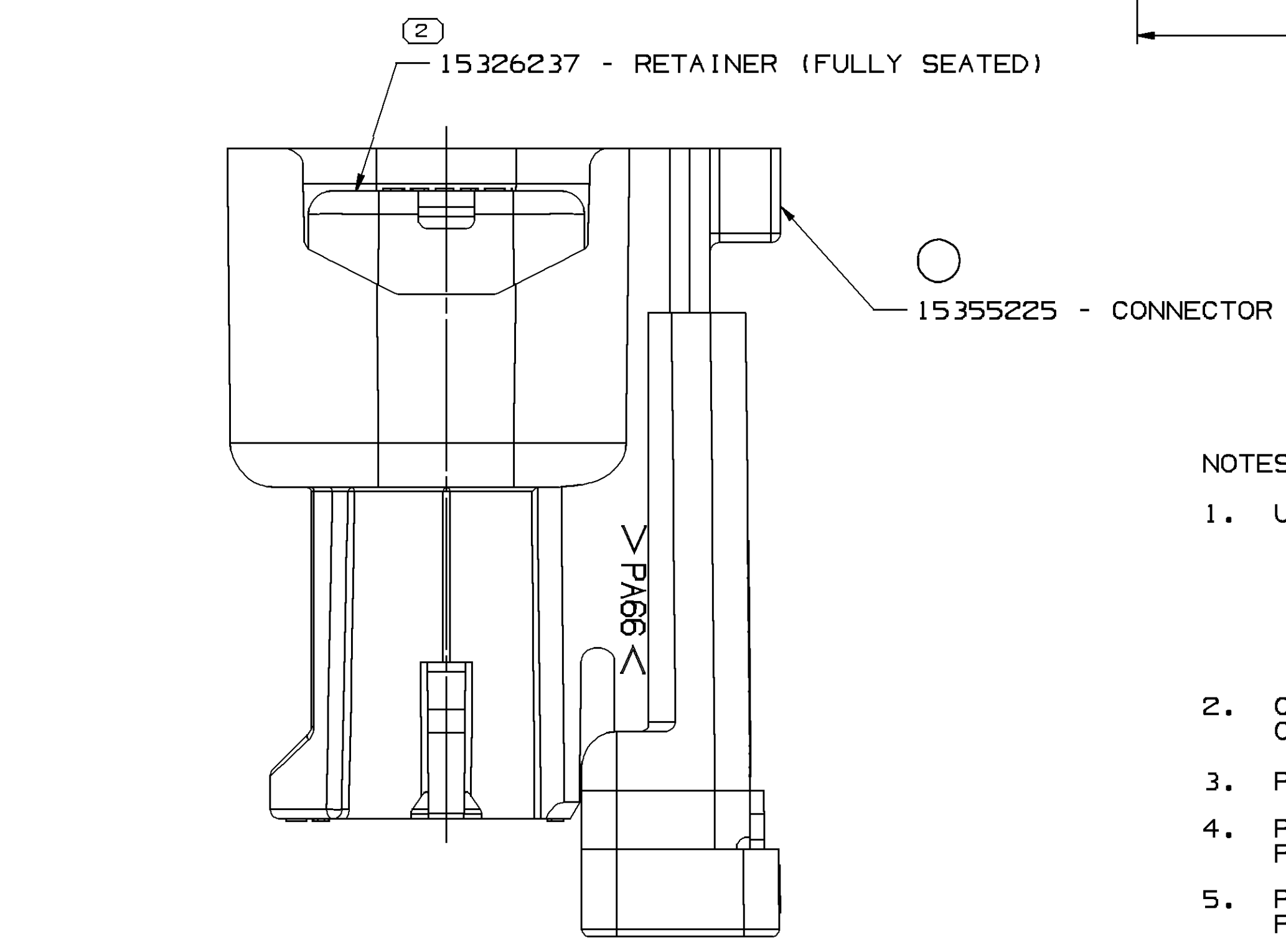
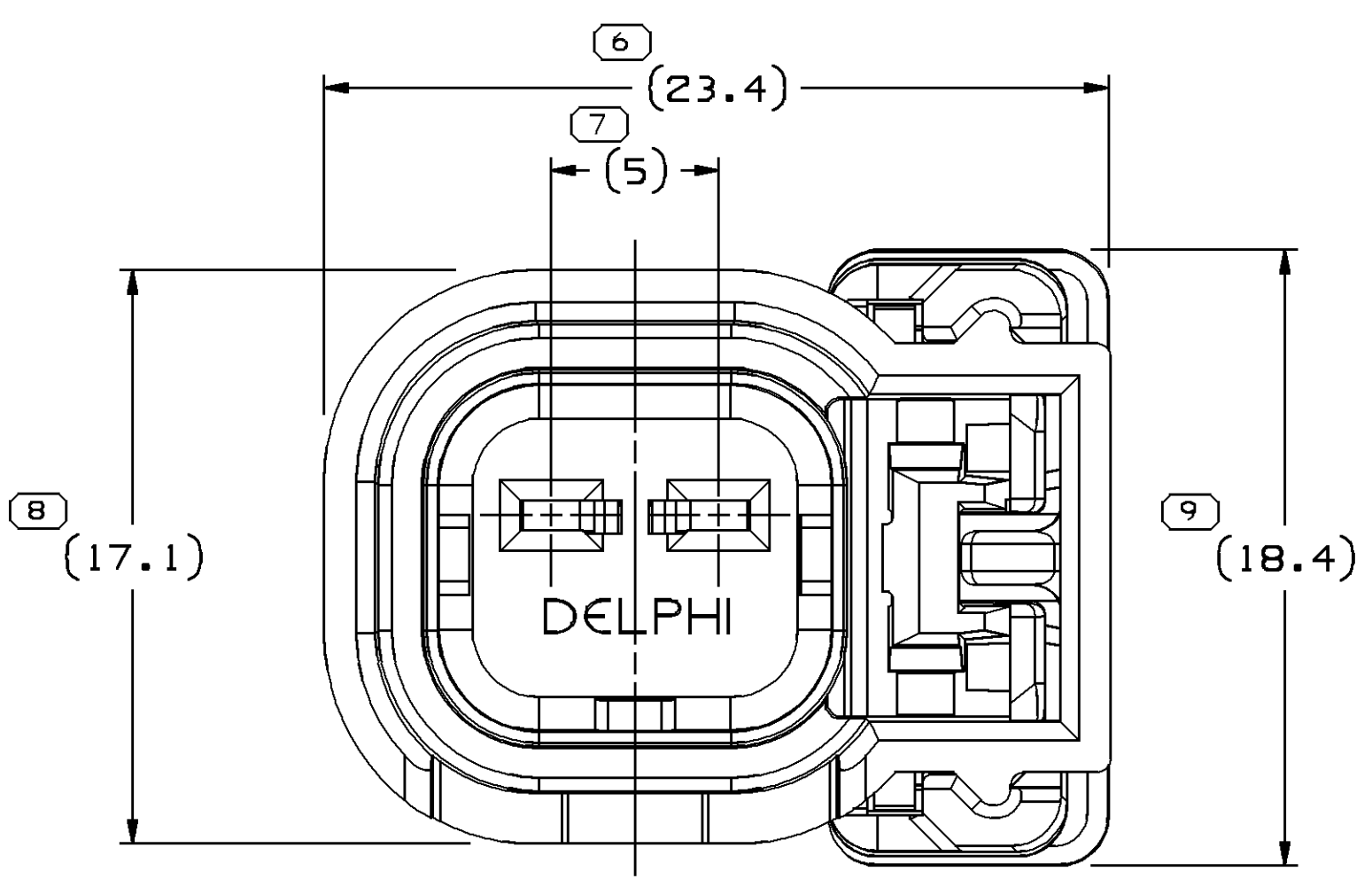
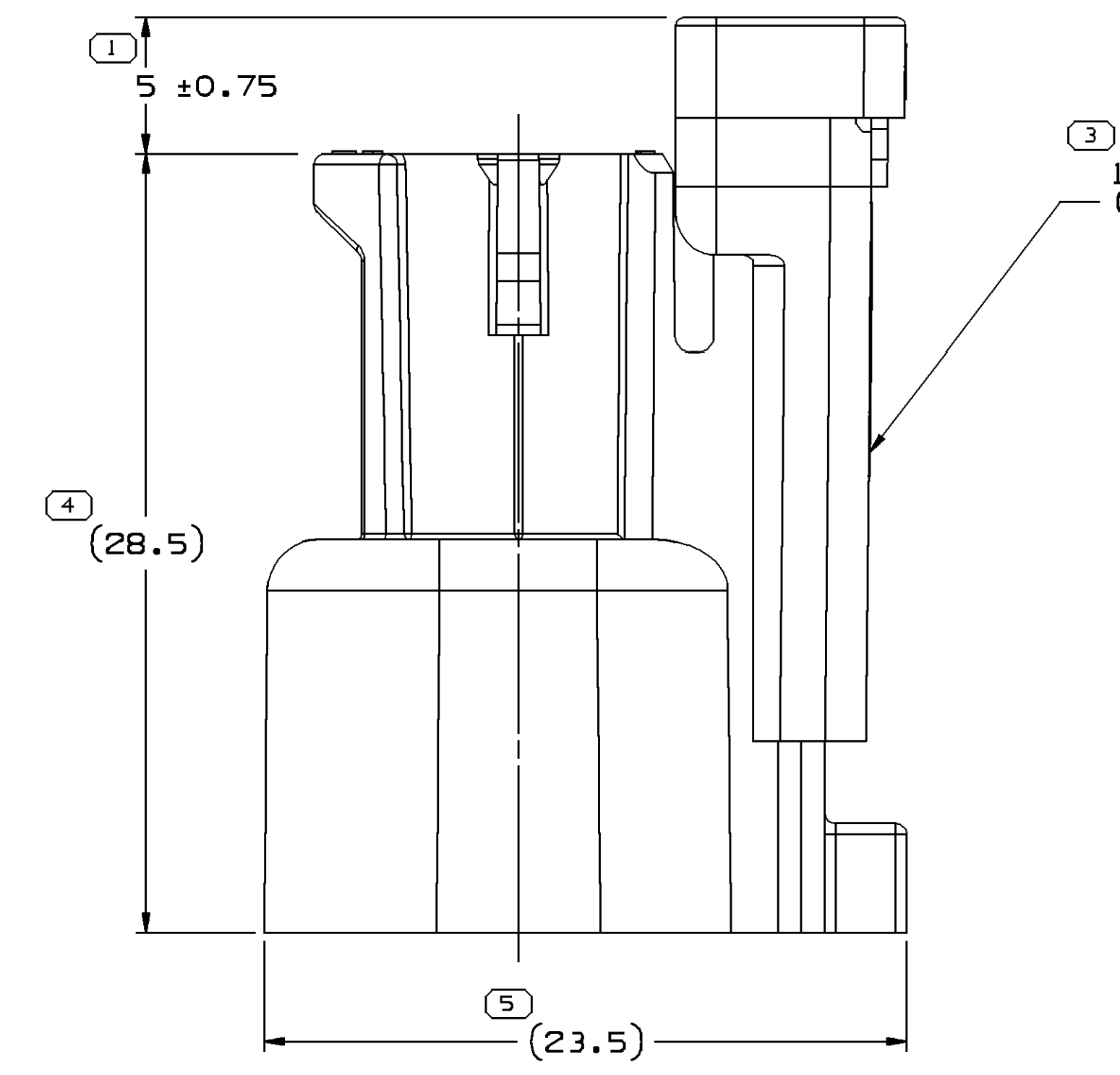


SYMBOL DEFINITION	
A DIMENSION WITHOUT AN INSPECTION REPORT SYMBOL DOES NOT REQUIRE INSPECTION. IT MAY BE CONTROLLED ON THE INDIVIDUAL COMPONENT DRAWING.	TOTAL NO OF INSPECTIONS REQUIRED
	10
	LAST NO. USED
	10

MISSING SYMBOLS		DWG STATUS				ZONE		REVISION HISTORY		AUTH	DR	APVD1	APVD2
NO MISSING SYMBOL NUMBER		DATE	STG	REV	N/P	CHG							
		06MY98	R	A	-	-			WAS PE069192 & RELEASED	980005	RGV	JGS	
		28AP06	R	02	-	-			CONNECTOR P/N 15355225 WAS 15326235	274744	JTZ	JVM	BDG



NOTES

- UNLESS OTHERWISE SPECIFIED AND/OR INDICATED:
DIMENSIONS ARE TO FACE OF VIEW SHOWN AND AUTOMATICALLY ROUNDED BY COMPUTER FOR INSPECTION (SEE MATH MODEL FOR PRECISE DIMENSIONS). FOR ALL OTHER DIMENSIONS NOT SHOWN BUT REQUIRED FOR TOOL BUILD, SEE MATH MODEL FOR PRECISE TOOL PATH DATA.
- CAVITIES TO ACCEPT 12176636 TERMINAL WITH 12176807 CABLE SEAL & 15326238 TPA OR EQUIVALENT.
- PART MATES TO BOSCH EV6 FUEL INJECTOR OR EQUIVALENT.
- PARTS ARE TO BE ASSEMBLED WITH THE SEAL AND RETAINER IN PLACE AND THE CPA IN THE PRE-STAGE POSITION.
- PARTS ARE TO BE PACKAGED IN PROTECTIVE CONTAINERS WITH PLASTIC LINING TO AVOID ENTRY OF FOREIGN MATTER.
- MATING PART CONFIGURATION DRAWING - 15354900.

1 PROCESS SENSITIVE DIMENSION	
DIMENSIONS ENCLOSED IN () INDICATE REFERENCE DIMENSIONS AND NO TOLERANCE LIMITS ARE ESTABLISHED	
DIMENSIONAL RANGE (MM)	CHART E
FROM 0 > 20 > 30 > 70 > 100	
TO 20 30 70 100 > 100	
TOLERANCE UNLESS OTHERWISE SPECIFIED	
±0.15 ±0.2 ±0.3 ±0.4 ±0.5	
ANGULAR TOLERANCE ±2°	

DWG TYPE		PART DRAWING	
STYLE		D	
VOLUME (CM³)	DISTR CODE	D	
UNLESS OTHERWISE SPECIFIED			
THIS DOCUMENT IS IN ACCORDANCE WITH ASME Y14.5M-1994 AS AMENDED BY THE GM GLOBAL DIMENSIONING AND TOLERANCING ADDENDUM-2001. SEPARATE PATTERNS OF FEATURES MAY BE BAGGED SEPARATELY REGARDLESS OF DATUM REFERENCES.			
ALL DIMENSIONS ARE IN MILLIMETERS			
REFERENCE			
THIRD ANGLE PROJECTION	DO NOT SCALE	UNIGRAPHICS	
	USE MATH DATA		

DELPHI			
DELPHI PACKARD ELECTRIC SYSTEMS WARREN, OH			
DR			DATE
APVD1	R. GUERRERO	06MY98	
APVD2	JUAN GONZALEZ	06MY98	
APVD3	R. POLENICK	09JN98	
APVD4			
APVD5			
SUBSTANCES OF CONCERN AND RECYCLED CONTENT PER DELPHI 10949001			
MATERIAL SEE DRAWING			
DRAWING NAME ASM CONN 2 F M/P 150 BLK SLD			
DRAWING NUMBER 15305086			
SIZE	SCALE	FRAME NO	SHEET NO
A1	5:1	1 OF 1	1 OF 1
		STG	REV
		R	02

Mouser Electronics

Authorized Distributor

Click to View Pricing, Inventory, Delivery & Lifecycle Information:

[Aptiv:](#)

[15305086](#)