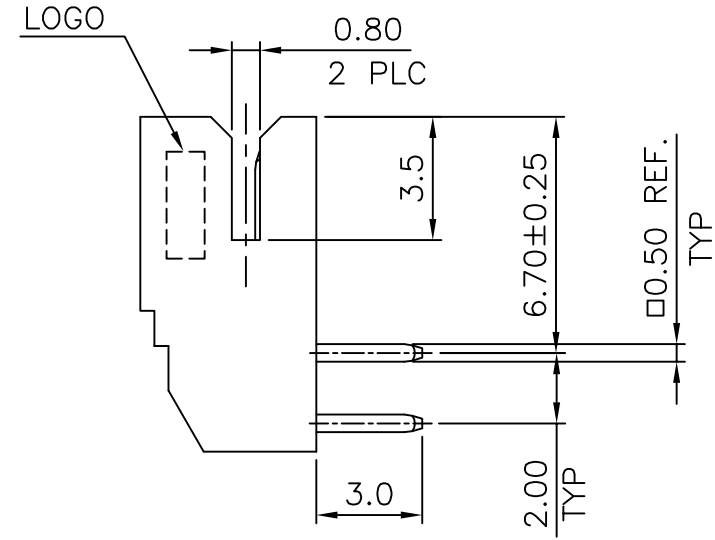
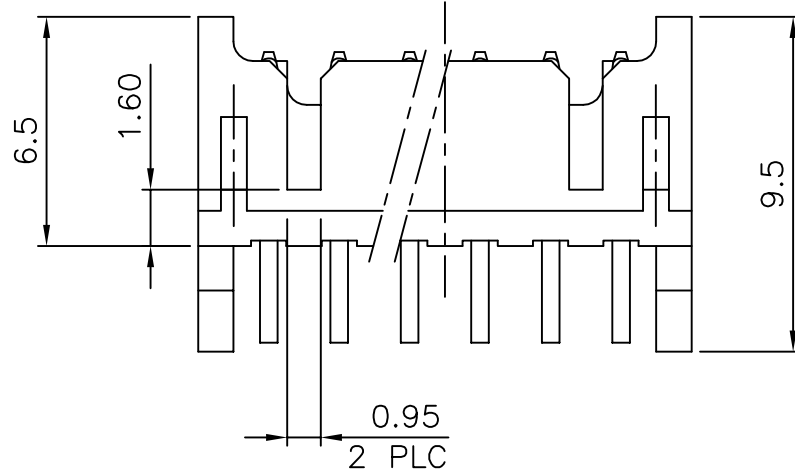
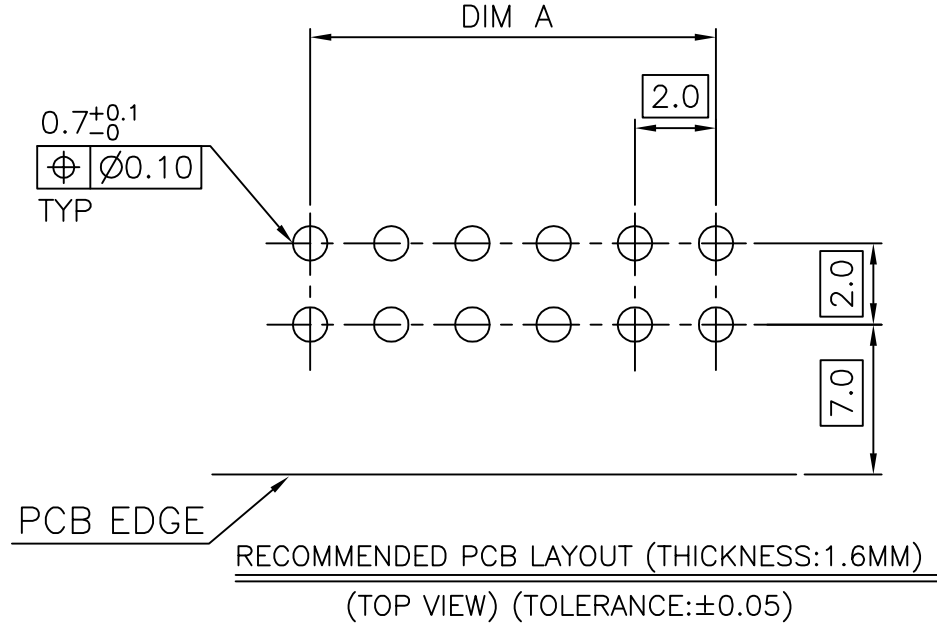
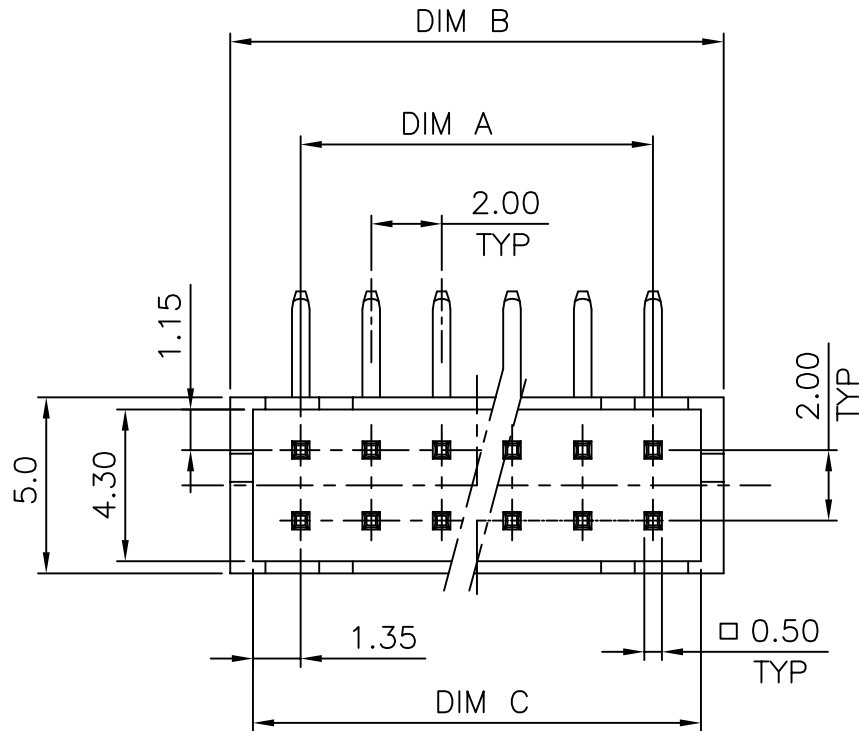


THIS DRAWING IS UNPUBLISHED. RELEASED FOR PUBLICATION .AUG 2006
 © COPYRIGHT 2009 BY TYCO ELECTRONICS CORPORATION. ALL RIGHTS RESERVED.

LOC	DIST	REVISIONS					
DW	-	P	LTR	DESCRIPTION	DATE	DWN	APVD
		F4		REVISED (ECR-17-012932)	04SEP2017	T.Q	W.H



32.74	34.0	30.0	32	3-1470108-2
30.74	32.0	28.0	30	3-1470108-0
28.74	30.0	26.0	28	2-1470108-8
26.74	28.0	24.0	26	2-1470108-6
24.74	26.0	22.0	24	2-1470108-4
22.74	24.0	20.0	22	2-1470108-2
20.74	22.0	18.0	20	2-1470108-0
18.74	20.0	16.0	18	1-1470108-8
16.74	18.0	14.0	16	1-1470108-6
14.74	16.0	12.0	14	1-1470108-4
12.74	14.0	10.0	12	1-1470108-2
10.74	12.0	8.0	10	1-1470108-0
8.74	10.0	6.0	8	1470108-8
6.74	8.0	4.0	6	1470108-6
DIM C	DIM B	DIM A	POS.	PART NUMBER

- NOTE:
- MATERIAL:
HOUSING: THERMOPLASTIC UL94V-0, NATURAL COLOR.
CONTACT: BRASS, THICKNESS=0.20MM.
 - FINISH:
CONTACT: 100u" MIN. TIN PLATED ON CONTACT AREA,
30u" MIN. NICKEL UNDERPLATED OVER ALL.
 - WAVE SOLDER CAPABLE TO 240°C PER TEST SPEC.
109-202, CONDITION B.

THIS DRAWING IS A CONTROLLED DOCUMENT.		DWN	J. LEE	24OCT2005	 TE Connectivity
DIMENSIONS: MM		CHK	S. HOU	24OCT2005	
TOLERANCES UNLESS OTHERWISE SPECIFIED:		APVD	W.J. KE	24OCT2005	
0 PLC ± - 1 PLC ± 0.3 2 PLC ± 0.2 3 PLC ± 0.1 4 PLC ± - ANGLES ± 3°		PRODUCT SPEC		NAME	
MATERIAL SEE NOTE		FINISH SEE NOTE		108-57217	
		QUALIFICATION TEST REPORT		2.0MM PITCH HEADER, DIP, RIGHT ANGLE TYPE	
		WEIGHT - GRAMS		SIZE	A3
		CUSTOMER DRAWING		CAGE CODE	00779
				DRAWING NO	C=1470108
				RESTRICTED TO	-
				SCALE	-
				SHEET	1 of 3
				REV	F4

4

3

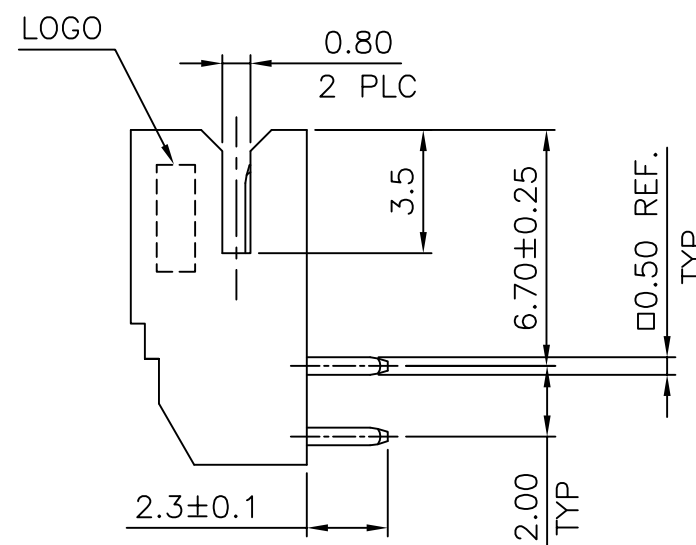
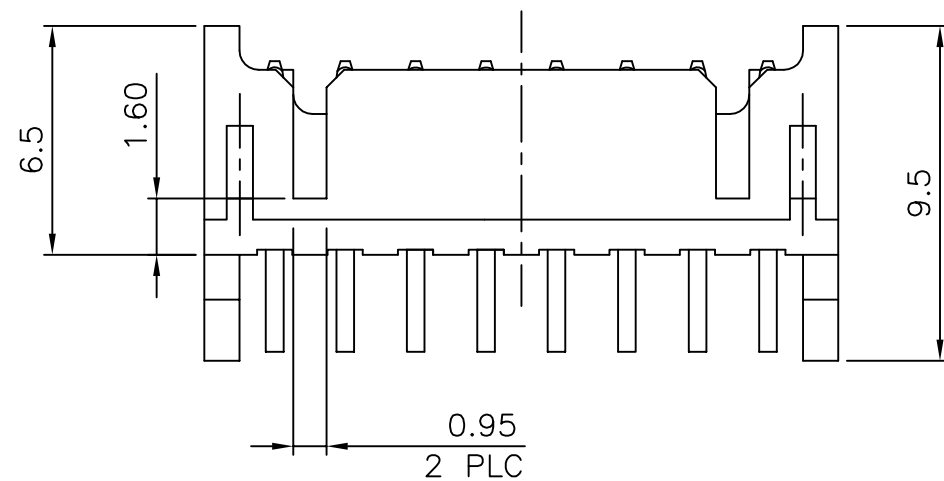
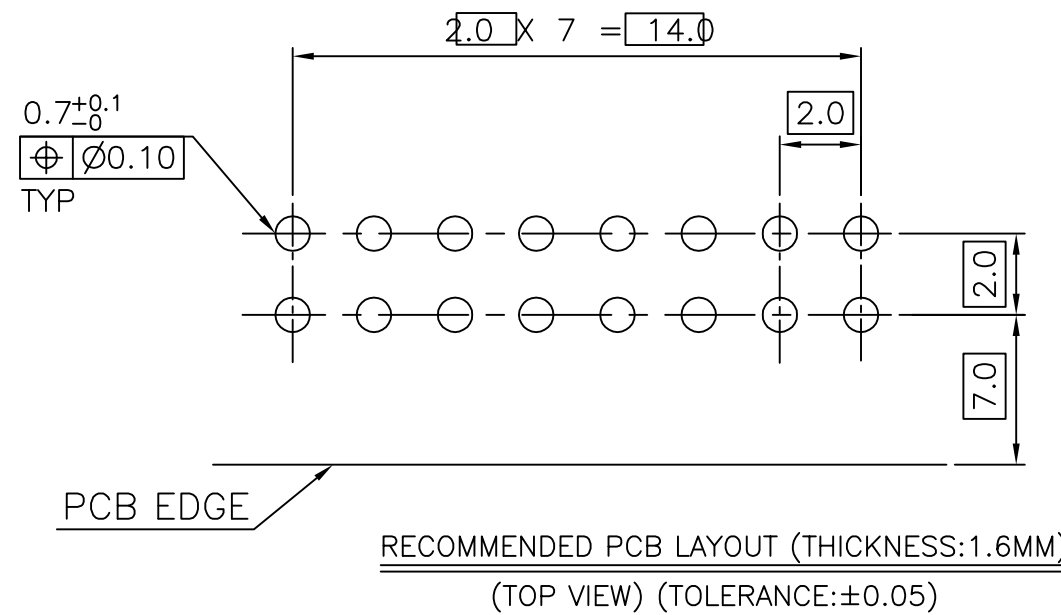
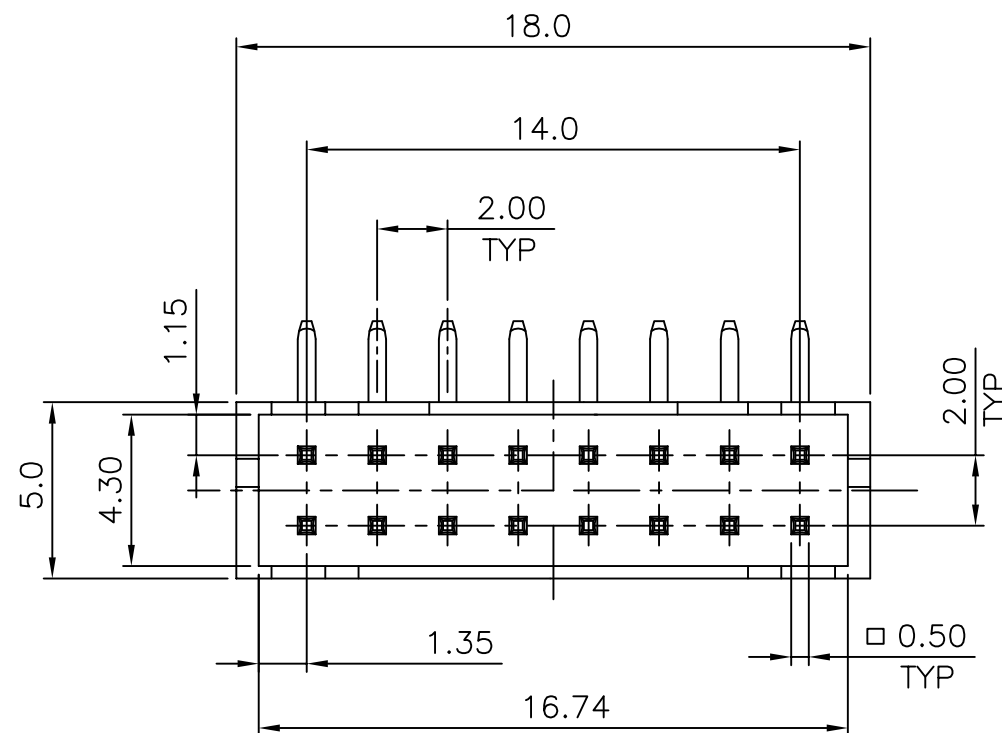
2

1


THIS DRAWING IS UNPUBLISHED. RELEASED FOR PUBLICATION .AUG 2006

© COPYRIGHT 2009 BY TYCO ELECTRONICS CORPORATION. ALL RIGHTS RESERVED.

LOC	DIST	REVISIONS			
P	LTR	DESCRIPTION	DATE	DWN	APVD
DW		SEE SHEET 1.			



16	4-1470108-6
POS.	PART NUMBER

THIS DRAWING IS A CONTROLLED DOCUMENT.		DWN	 TE Connectivity	
DIMENSIONS: MM		CHK		
TOLERANCES UNLESS OTHERWISE SPECIFIED:		APVD	NAME	
0 PLC ± -		PRODUCT SPEC	2.0MM PITCH HEADER, DIP, RIGHT ANGLE TYPE	
1 PLC ± 0.3		APPLICATION SPEC	SIZE	CAGE CODE
2 PLC ± 0.2		—	A3	00779
3 PLC ± 0.1		—	DRAWING NO	RESTRICTED TO
4 PLC ± -		—	C-1470108	—
ANGLES ± 3'		WEIGHT	—	
MATERIAL	FINISH	CUSTOMER DRAWING		
SEE SHEET 1.	SEE SHEET 1.	SCALE	SHEET	REV
		—	2 OF 3	F4

4

3

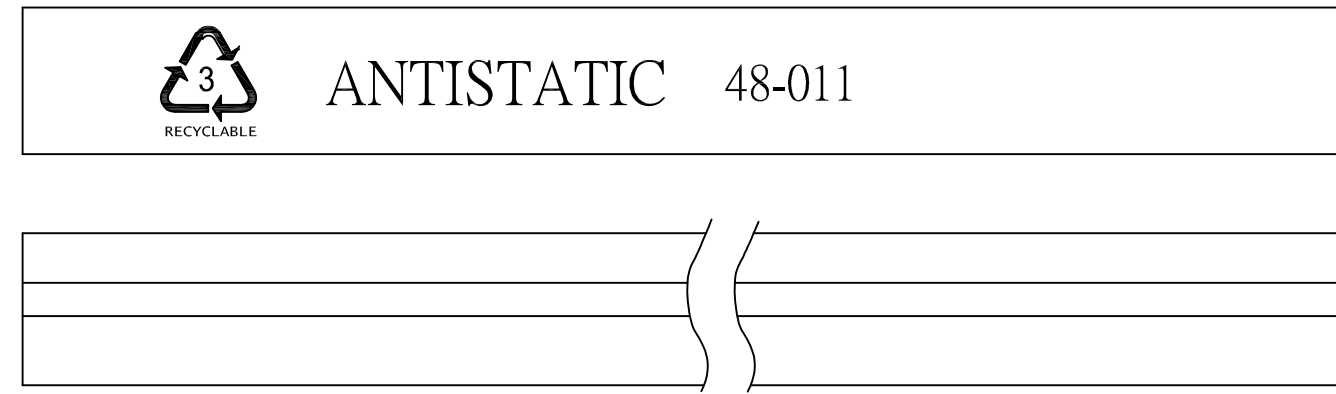
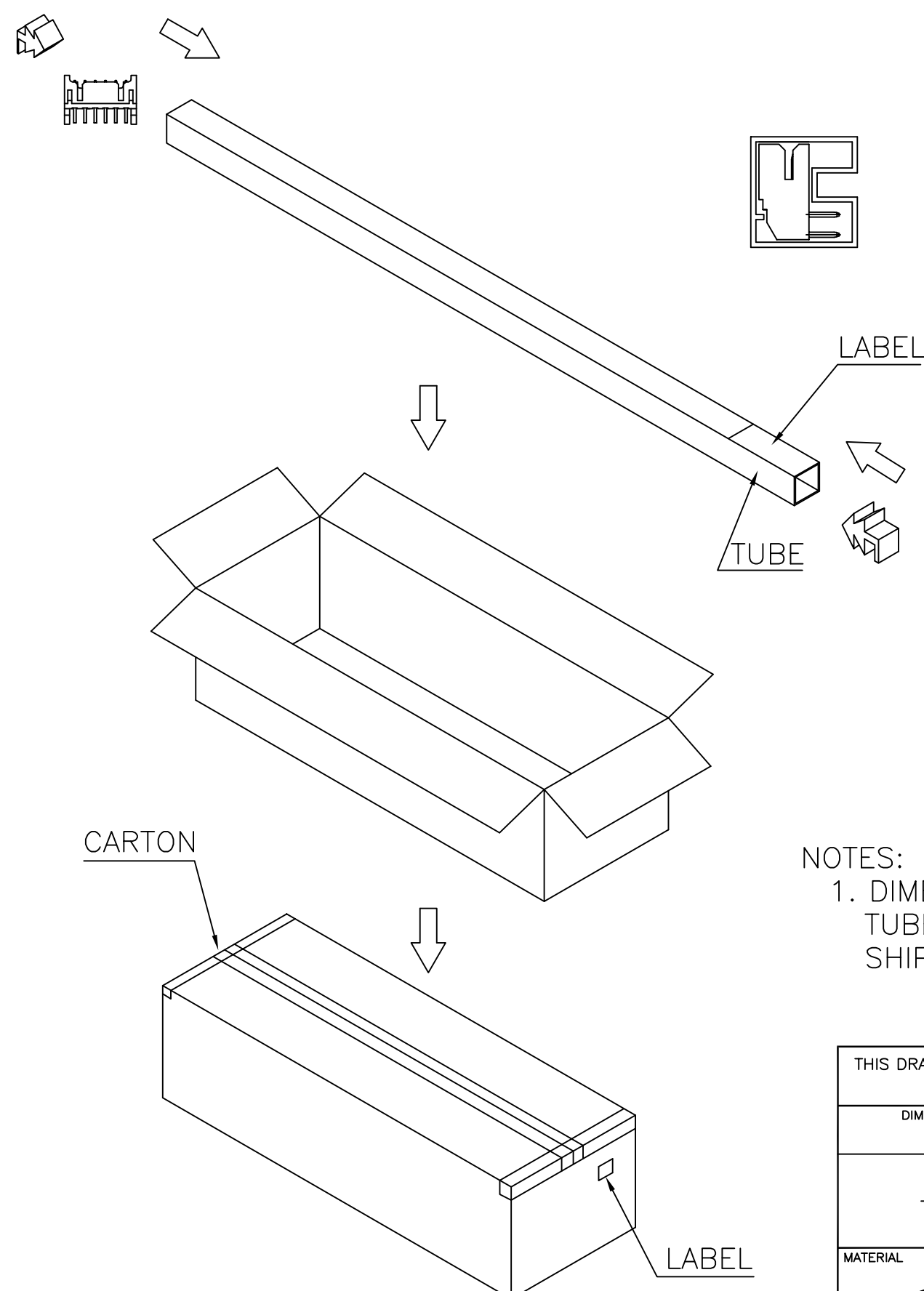
2

1

THIS DRAWING IS UNPUBLISHED. RELEASED FOR PUBLICATION . AUG 2006

© COPYRIGHT 2009 BY TYCO ELECTRONICS CORPORATION. ALL RIGHTS RESERVED.

LOC DW	DIST	REVISIONS			
P	LTR	DESCRIPTION	DATE	DWN	APVD
		SEE SHEET 1.			



1,890	30	4-1470108-6
1,008	16	3-1470108-2
1,008	16	3-1470108-0
1,134	18	2-1470108-8
1,260	20	2-1470108-6
1,260	20	2-1470108-4
1,386	22	2-1470108-2
1,575	25	2-1470108-0
1,764	28	1-1470108-8
1,890	30	1-1470108-6
2,205	35	1-1470108-4
2,520	40	1-1470108-2
2,898	46	1-1470108-0
3,528	56	1470108-8
4,410	70	1470108-6
APQ (PCS/CARTON)	PPQ (PCS/TUBE)	PART NUMBER

NOTES:
 1. DIMENSION :
 TUBE : L=600, W=10, H=10
 SHIPPING CARTON : L=615, W=110, H=100

THIS DRAWING IS A CONTROLLED DOCUMENT.		DWN	TE TE Connectivity	
DIMENSIONS: MM		CHK		
TOLERANCES UNLESS OTHERWISE SPECIFIED:		APVD	NAME	
0 PLC	± -	PRODUCT SPEC	2.0MM PITCH HEADER, DIP, RIGHT ANGLE TYPE	
1 PLC	± -	APPLICATION SPEC	SIZE	CAGE CODE
2 PLC	± -	WEIGHT	A3	00779
3 PLC	± -	CUSTOMER DRAWING	DRAWING NO	1470108
4 PLC	± -	SCALE	RESTRICTED TO	
ANGLES	± -	SHEET	3 of 3	
MATERIAL	FINISH	REV	F4	

Mouser Electronics

Authorized Distributor

Click to View Pricing, Inventory, Delivery & Lifecycle Information:

[TE Connectivity:](#)

[4-1470108-6](#)