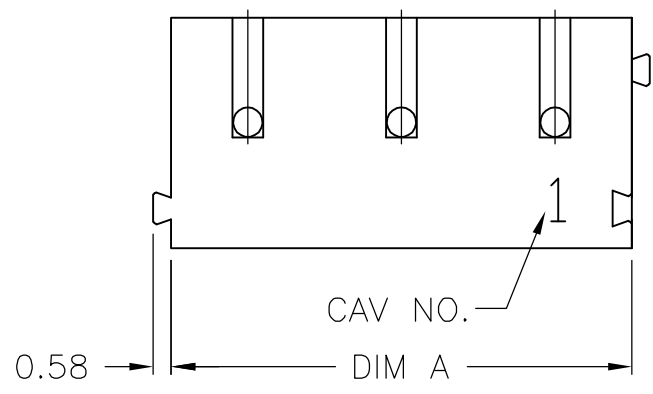
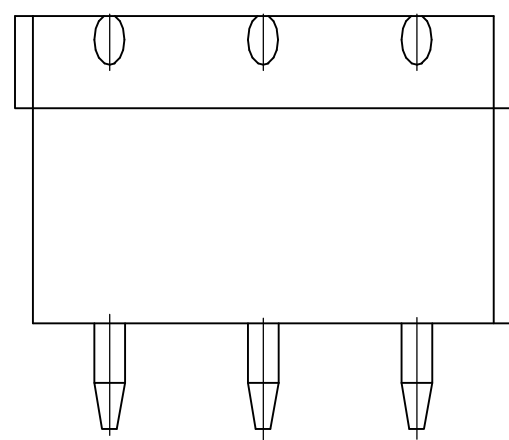
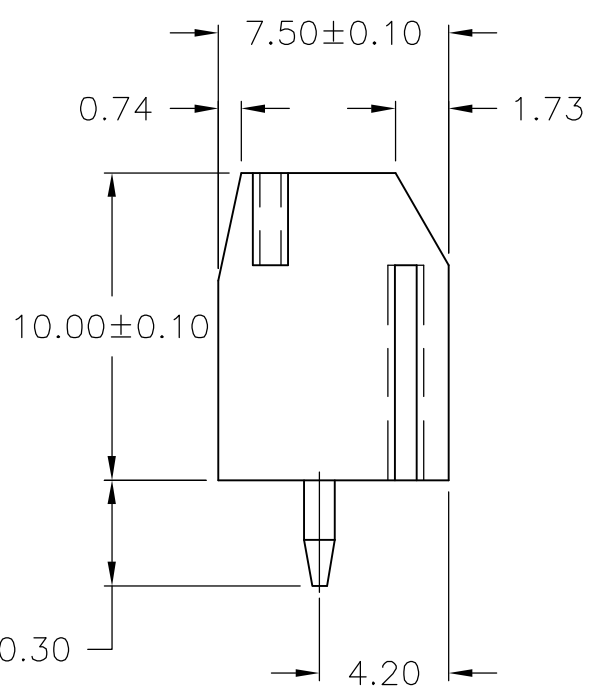
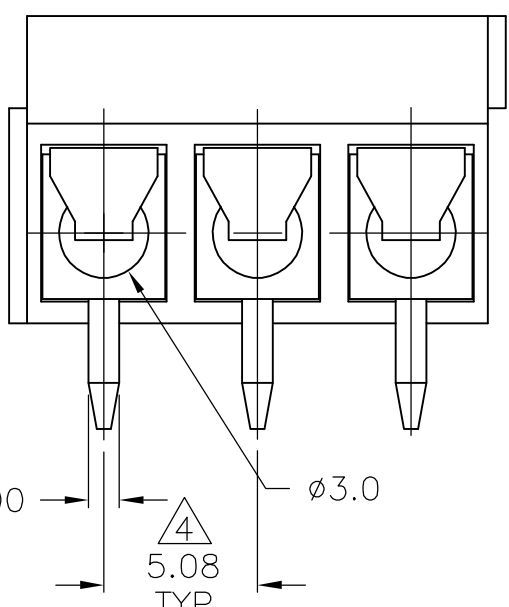
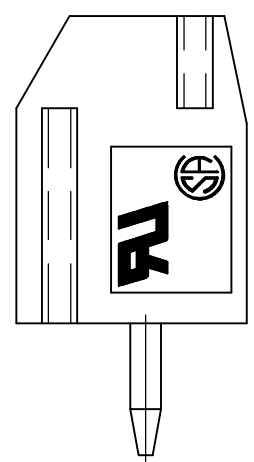
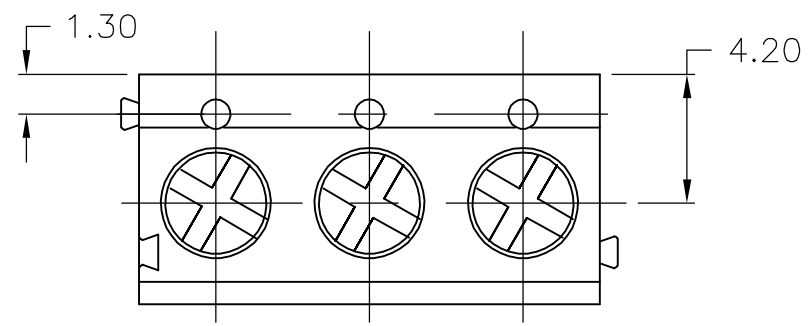


THIS DRAWING IS UNPUBLISHED. RELEASED FOR PUBLICATION
 © COPYRIGHT - BY TYCO ELECTRONICS CORPORATION. ALL RIGHTS RESERVED.

LOC	DIST	REVISIONS					
		P	LTR	DESCRIPTION	DATE	DWN	APVD
FT	0		01	REVISED PER ECO-06-16803	7/14/06	SS	CR

1. ALL DIMENSIONS ARE IN MM.
 2. RECOMMENDED PC-BOARD-HOLES DIAMETER: $\phi 1.20\text{mm}$ TO 1.40mm .
 3. BUCHANAN LOGO TO APPEAR ON HOUSING LOCATION OPTIONAL WHERE SPACE PERMITS.
- $\triangle 4$ NON CUMULATIVE



THIS DRAWING IS A CONTROLLED DOCUMENT.

DIMENSIONS:	TOLERANCES UNLESS OTHERWISE SPECIFIED:
mm	
	0 PLC ± -
	1 PLC ± 0.3
	2 PLC ± 0.25
	3 PLC ± -
	4 PLC ± -
	ANGLES ± -
MATERIAL	FINISH
-	-

DWN	S SCHLEGEL	5/6/05
CHK	C RICHARD	5/6/05
APVD	C RICHARD	5/6/05
PRODUCT SPEC	-	-
APPLICATION SPEC	-	-
WEIGHT	-	-
CUSTOMER DRAWING		

25.40	5	1776274-5
DIM A	NO. OF POS.	PART NUMBER
Tyco Electronics Corporation Harrisburg, Pa 17105-3608		
NAME TERMINAL BLOCK PCB MOUNT, STRAIGHT SIDE WIRE ENTRY, LOW PROFILE W/ INTERLOCK, 5.08mm PITCH, HIGH TEMP		
SIZE	CAGE CODE	DRAWING NO
A3	00779	C-1776274
SCALE		SHEET
NTS		1 OF 2
REV		01
RESTRICTED TO		
-		

THIS DRAWING IS UNPUBLISHED. RELEASED FOR PUBLICATION
 © COPYRIGHT - BY TYCO ELECTRONICS CORPORATION. ALL RIGHTS RESERVED.

LOC	DIST	REVISIONS			
P	LTR	DESCRIPTION	DATE	DWN	APVD
FT	0	—	—	—	—
		SEE SHEET 1	—	—	—

1. Application and Features:

- 1-1. Standard sizes are 2 and 3 way—blocks, but every number of contact can be combined, by simply plugging them together and can be ordered as required**
- 1-2. With wire guard for wire protection (for that the screw doesn't press directly on the wire)

2-3. Mechanical:

- 2-3-1. Torque: 4 Kg.cm (Max).
- 2-3-2. Operating temperature: -55°C to +105°C.
- 2-3-3. Solderability: 95% coverage (min).

2. Technical Data:

2-1. Material:

- 2-1-1. HOUSING: NYLON 6.6, UL 94 V-0 (BLACK).
- 2-1-2. Metal Housing: Brass(Cu Zn)
Cu,Tin plated.
- 2-1-3. Wire guard: Stainless steel.
- 2-1-4. Screw: Steel galvanized and chromitized, M2.6

2-2. Electrical:

- 2-2-1. Current rating: 10 Amps/way max.
- 2-2-2. Contact resistance: 20mΩ (Max).
- 2-2-3. Insulation resistance: 5000MΩ /1000V.
- 2-2-4. Withstanding Voltage: 1500VAC (1min).
test time =60sec/1pcs
- 2-2-5. Operation Voltage: 300 VAC.
- 2-2-6. Wire Range: 14-22 AWG.

THIS DRAWING IS A CONTROLLED DOCUMENT.		DWN S SCHLEGEL	5/6/05	tyco Tyco Electronics Corporation	
DIMENSIONS: mm		CHK C RICHARD	5/6/05	Electronics Harrisburg, Pa 17105-3608	
TOLERANCES UNLESS OTHERWISE SPECIFIED:		APVD C RICHARD	5/6/05	NAME	
0 PLC ± -		PRODUCT SPEC		TERMINAL BLOCK PCB MOUNT, STRAIGHT SIDE	
1 PLC ± 0.3		APPLICATION SPEC		WIRE ENTRY, LOW PROFILE W/ INTERLOCK,	
2 PLC ± 0.25		WEIGHT		5.08mm PITCH, HIGH TEMP	
3 PLC ± -		—		SIZE	CAGE CODE
4 PLC ± -		CUSTOMER DRAWING		A3	00779
ANGLES ± -		SCALE		DRAWING NO	
FINISH		NTS		C-1776274	
MATERIAL	—	SHEET		RESTRICTED TO	
—		2 OF 2		—	
		REV		01	

Mouser Electronics

Authorized Distributor

Click to View Pricing, Inventory, Delivery & Lifecycle Information:

[TE Connectivity:](#)

[1776274-5](#)