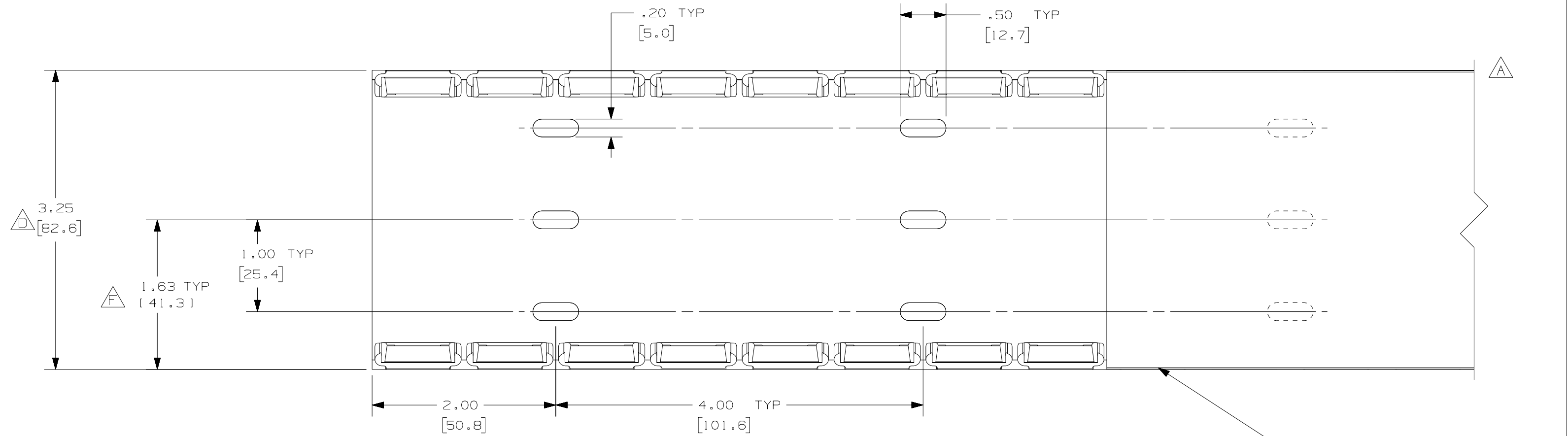
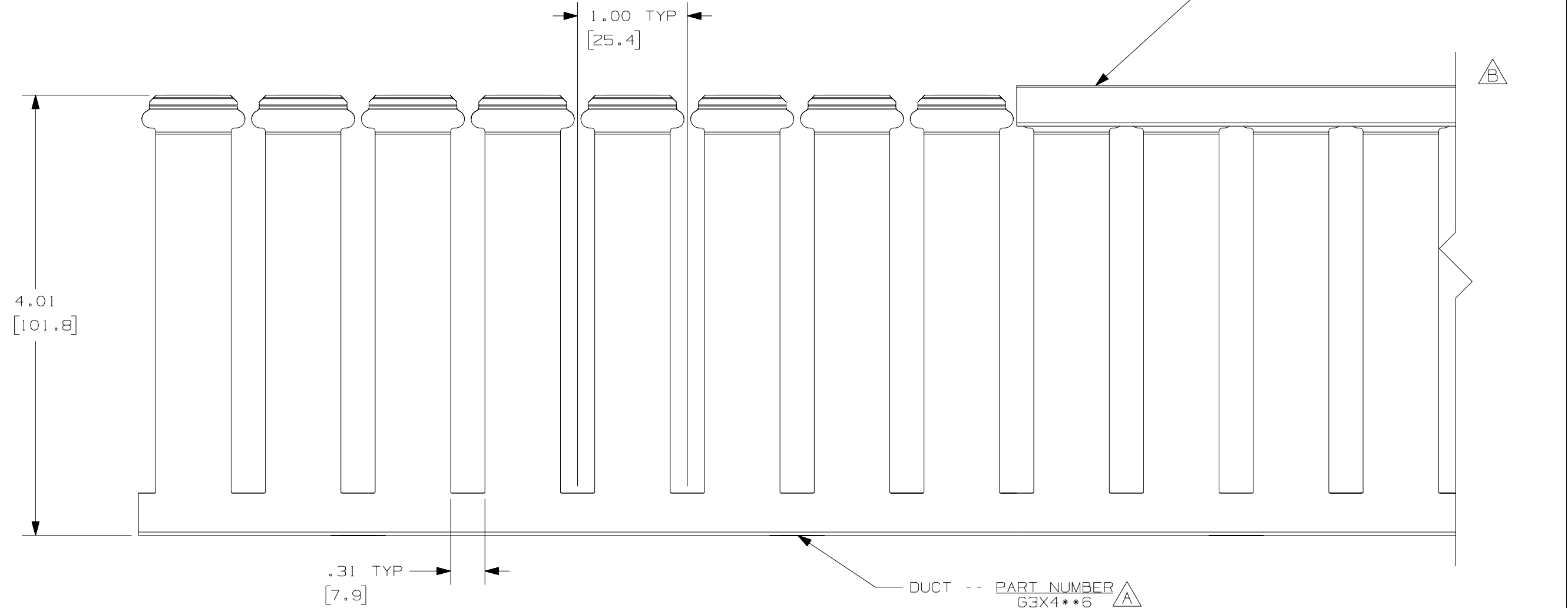
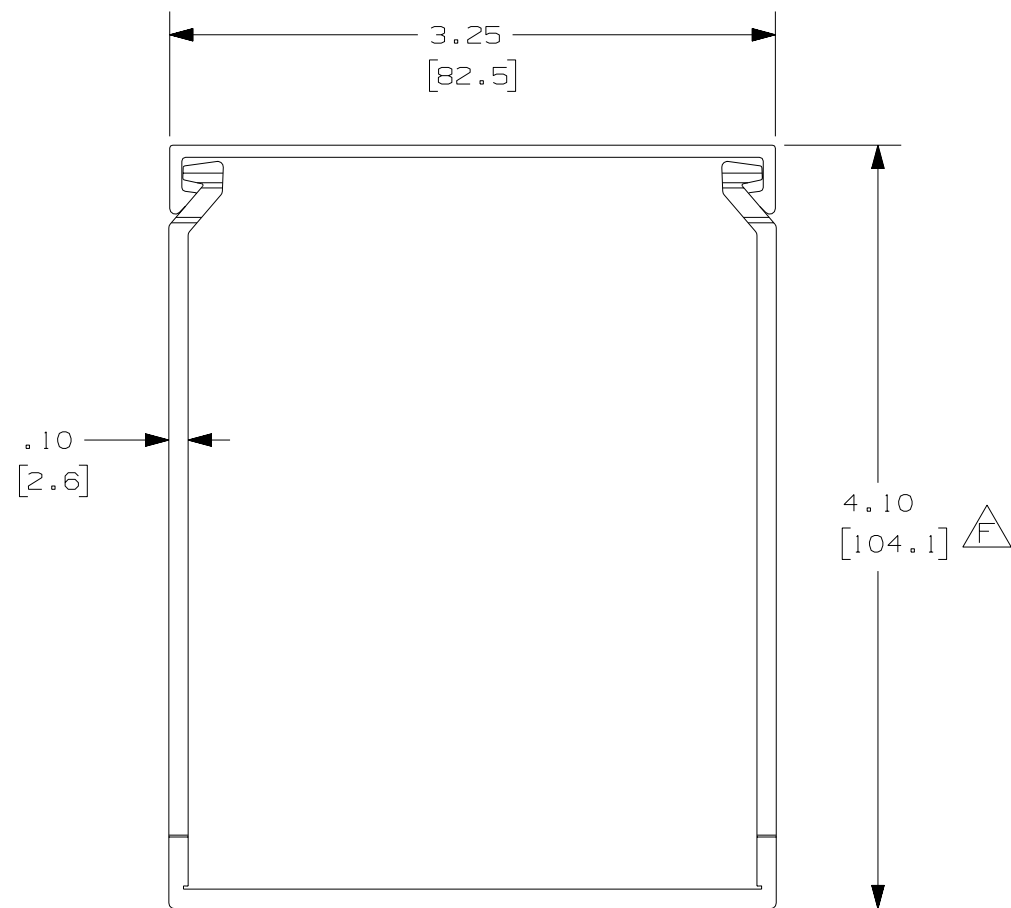


THIS COPY IS PROVIDED ON A RESTRICTED BASIS AND IS NOT TO BE USED IN ANY WAY DETRIMENTAL TO THE INTERESTS OF PANDUIT CORP.



COVER -- PART NUMBER C3**6



NOTES:

1. ALL DIMENSIONS ARE REFERENCE ONLY.
2. DIMENSIONS IN PARENTHESIS ARE METRIC.
3. THE ** DENOTE COLOR.
4. DUCT AND COVER ARE AVAILABLE IN 6 FT [1828.8] LENGTHS.

| REV | DATE | BY | CHK | DESCRIPTION |
|-----|---------|----------|-----|---|
| -- | ----- | --- | --- | G. ADDED LENGTH NOTE F. CORRECTED DIMENSIONS |
| 2 | 7-6-07 | JCSTMKBE | | E. DELETED DIMENSION D. ADDED DIMENSION |
| -- | ----- | --- | --- | C. CHANGED DRAWING SIZE |
| 1 | 5-24-04 | JCSTMKBE | | B. CHANGED VIEW A. ADDED TOP VIEW, NOTES, AND LABELS |
| R | 3-6-03 | JCST JGG | | DRAWING RELEASED |

| | | | |
|--|-------------------|--------------------------|-----------|
| CAD FILENAME/LAYERS | | D11000QZ_DC_00C | |
| PANDUIT CORP. TINLEY PARK, ILLINOIS | | | |
| WIRING DUCT - TYPE G DUCT WITH COVER 3X4 MARKETING DRAWING | | | |
| DRWN BY JCST | MAT'L: PVC | SCALE FULL | DWG C |
| DATE 3-6-03 | CHECKED BY JGG | DRAWING NO. 36897-712 | SIZE C |

Mouser Electronics

Authorized Distributor

Click to View Pricing, Inventory, Delivery & Lifecycle Information:

Panduit:

[G3X4LG6](#) [G3X4IB6](#) [G3X4LG6-A](#) [G3X4WH6](#) [G3X4WH6-A](#)